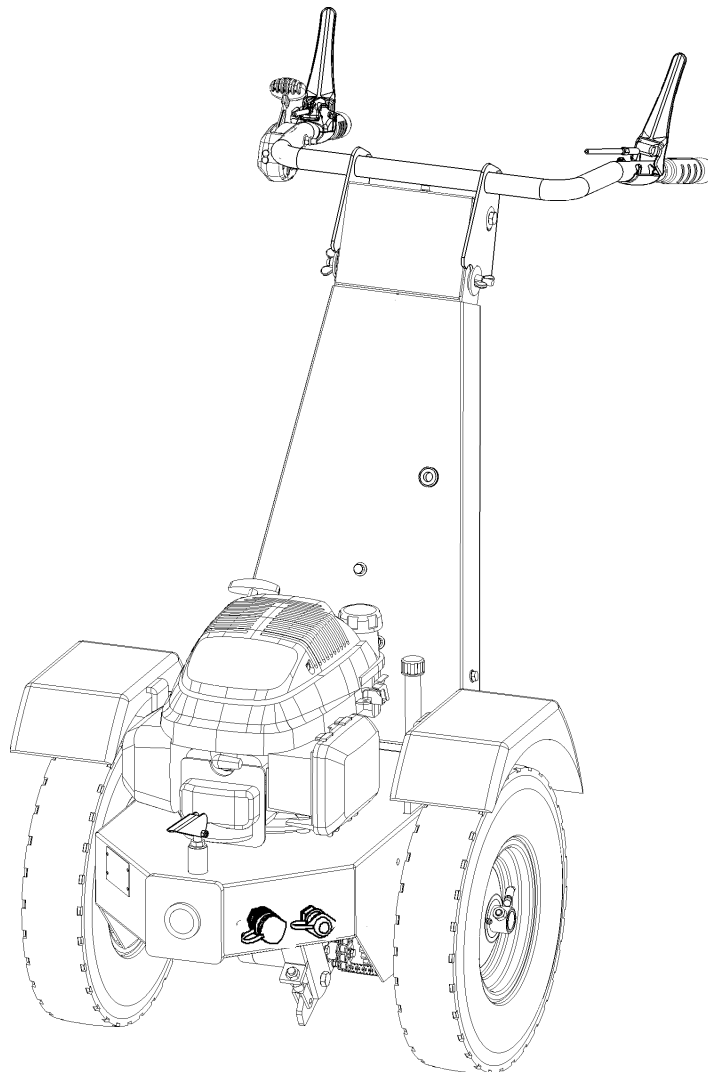




Spare parts lists

Hydrostatic Two Wheel Tractor

K 820/K 820 Pro



Order: E00002

Machine.- Nr.: 50144

Rev.: R03

Data: 5.02.2014



Manufactured by
Kersten Arealmaschinen GmbH
Empeler Straße 95
D - 46459 Rees
www.kersten-maschinen.de



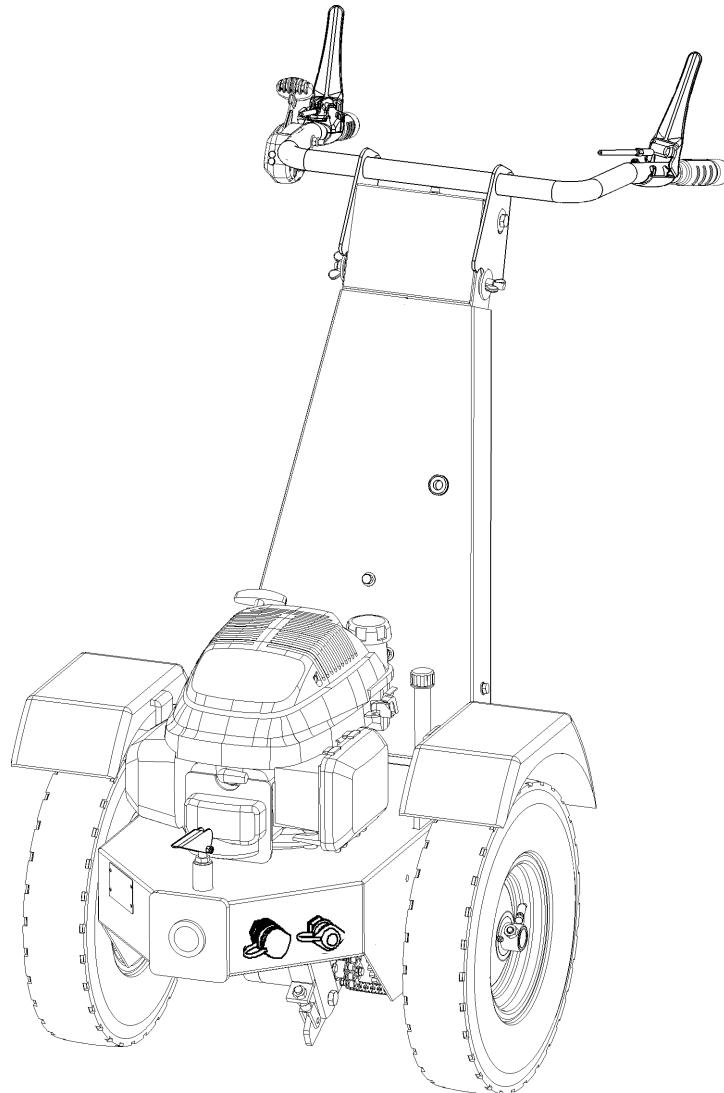
Distributed in UK by
Kersten (UK) Ltd Tel. 0118 986 9253
Progress House
39 Boulton Road Reading, RG2 0NH
www.kerstenuk.com - info@kerstenuk.com

Table of Contents

1	MODEL OVERVIEW	1
1.1	K 820 G - C00929 R01	1
1.2	K 820 KLA - C00942 R01	2
1.3	K 820 L – C00965 R01	3
1.4	K 820 PRO - C01092 R01	4
2	ASSEMBLY OVERVIEW.....	5
2.1	K 820 G - Assembly - C00928 R01	5
2.2	K 820 KLA - Assembly - C00935 R01.....	7
2.3	K 820 L - Assembly - C00964 R01	9
2.4	K 820 PRO - Assembly - C01093 R01.....	11
2.5	Base housing K 820 G/KLA/PRO -C00891 R03	13
2.6	Base housing K820 L - C00971 R03.....	14
2.7	Differential axle from Masch - NR.: - C00339 R00	15
2.8	HONDA Engine GCV 160 FOR K 820 G/KLA - C00924 R00	16
2.9	HONDA Engine GXV 160 FOR K 820 L/PRO - C00963 R01	17
2.10	Driving Drive FOR K 820 G/KLA/PRO -C00915 R00.....	18
2.11	Driving Drive FOR K 820 L-C01240 R00	19
2.12	HAND HOLM K 820 G/PRO - C00922 R00.....	20
2.13	HAND HOLM K 820 KLA/L - C00934 R00	21
2.14	HYDRAULIC CONTROL - C00923 R00	22
2.15	CONTROL UNIT K 820 G/KLA/L - C00927 R00	23
2.16	CONTROL UNIT K 820 PRO – C01091 R00	24
2.17	HOSE AND HYDRAULIC SCHEME – K 820 G/ KLA /L- C01046 R01	26
2.18	HOSE AND HYDRAULIC SCHEME - K 820 PRO - C01308 R01.....	28
3	ACCESSORIES	30
3.1	RADGE WEIGHTS - C00122 R00	30
4	OTHERS	31
4.1	TIRE - AND WHEEL HUB LIST – D00001 R01	31

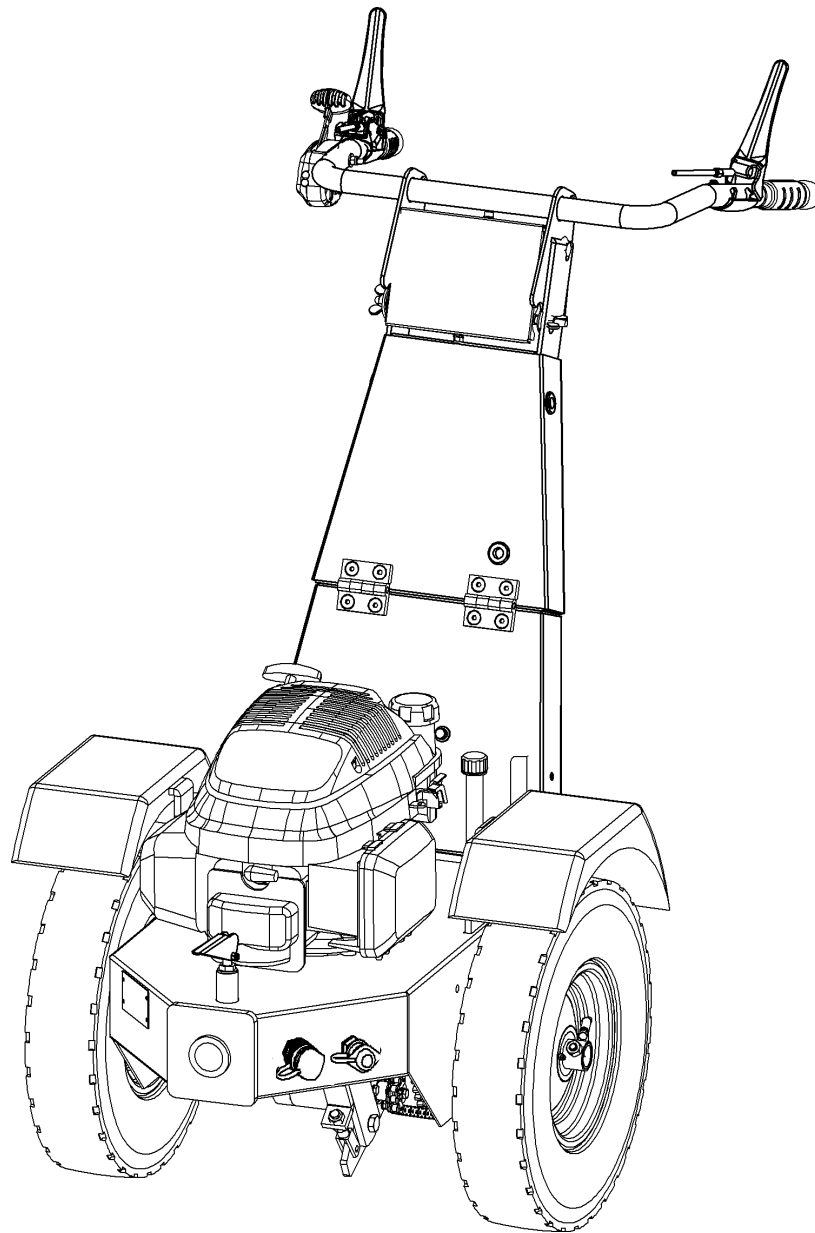
1 Model Overview

1.1 K 820 G - C00929 R01



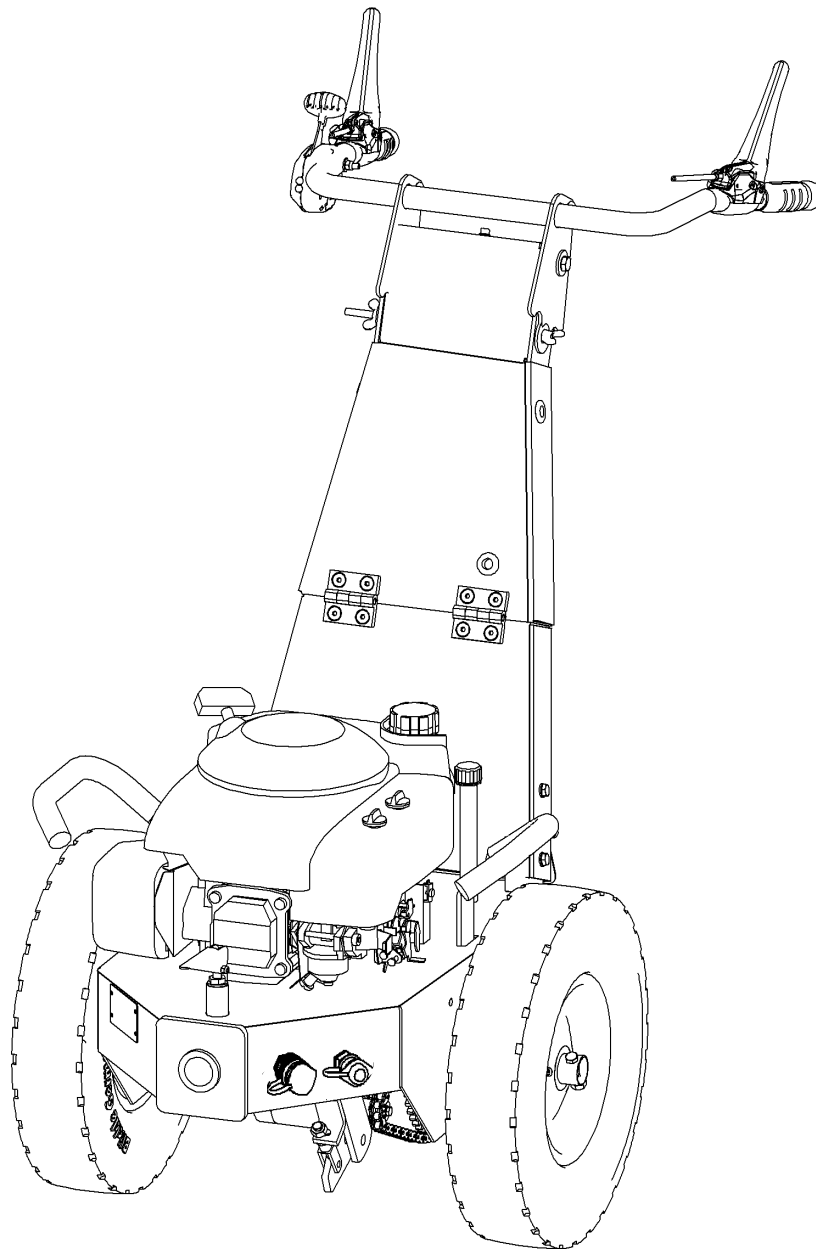
No.	Art.	Num.	Designation
1	C00928 R01	1	Assembly
2	C00891 R01	1	Headers
3	C00339 R00	1	Differential axle
4	C00924 R00	1	Honda engine GCV 160 with small gear pump
5	C00915 R00	1	Travel drive
6	C00922 R00	1	Handrail (rigid)
7	C00923 R00	1	Hydraulic control for drive and PTO
8	C00927 R00	1	Operator
9	C01046 R01	1	Tube set

1.2 K 820 KLA - C00942 R01



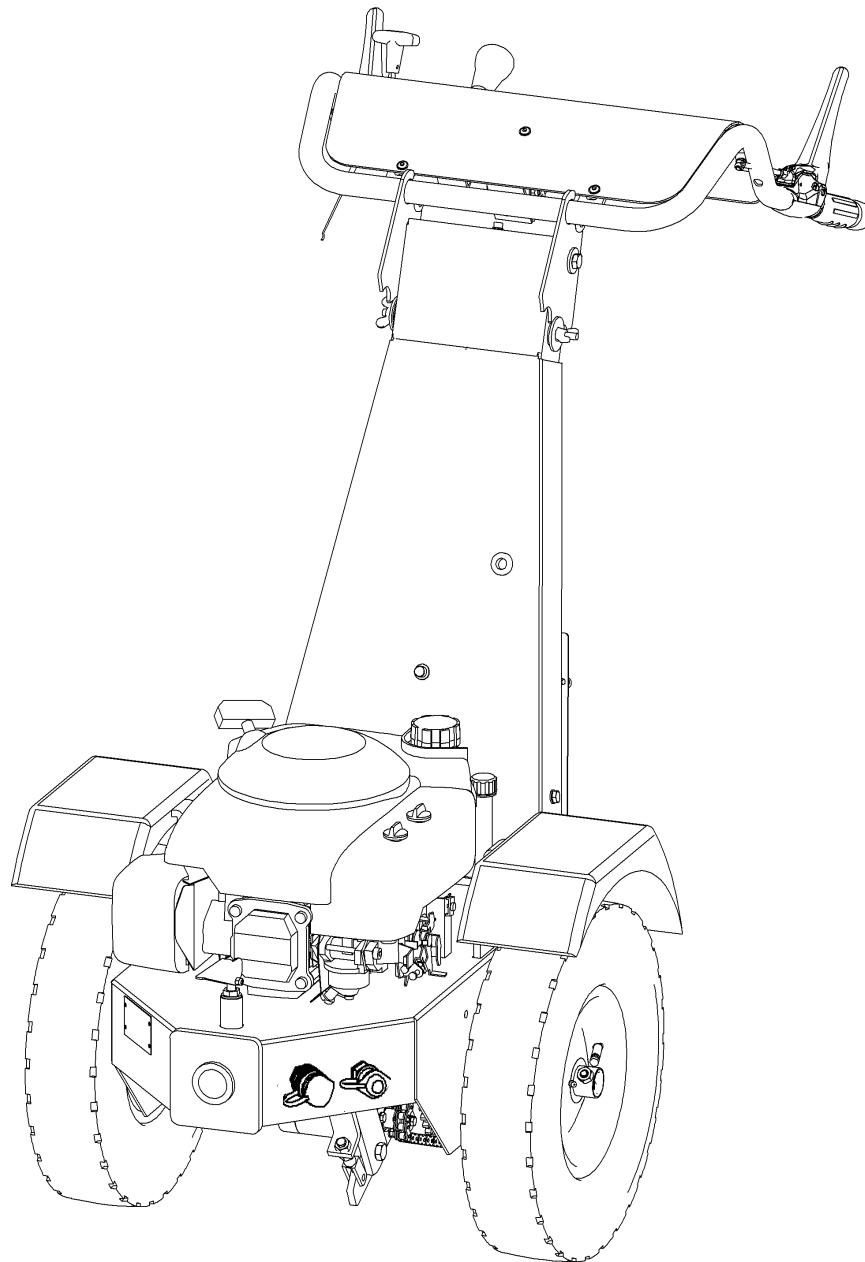
No.	Art.	Num.	Designation
1	C00935 R01	1	Assembly
2	C00891 R01	1	Headers
3	C00339 R00	1	Differential axle
4	C00924 R00	1	Honda engine GCV 160 with small gear pump
5	C00915 R00	1	Travel drive
6	C00934 R00	1	Handrail (foldable)
7	C00923 R00	1	Hydraulic control for drive and PTO
8	C00927 R00	1	Operator
9	C01046 R01	1	Tube set

1.3 K 820 L – C00965 R01



No.	Art.	Num.	Designation
1	C00964 R01	1	Assembly
2	C00971 R01	1	Headers
3	C00339 R00	1	Differential axle
4	C00963 R01	1	Honda engine GCV 160 with small gear pump
5	C01240 R00	1	Travel drive
6	C00934 R00	1	Handrail (foldable)
7	C00923 R00	1	Hydraulic control for drive and PTO
8	C00927 R00	1	Operator
9	C01046 R01	1	Tube set

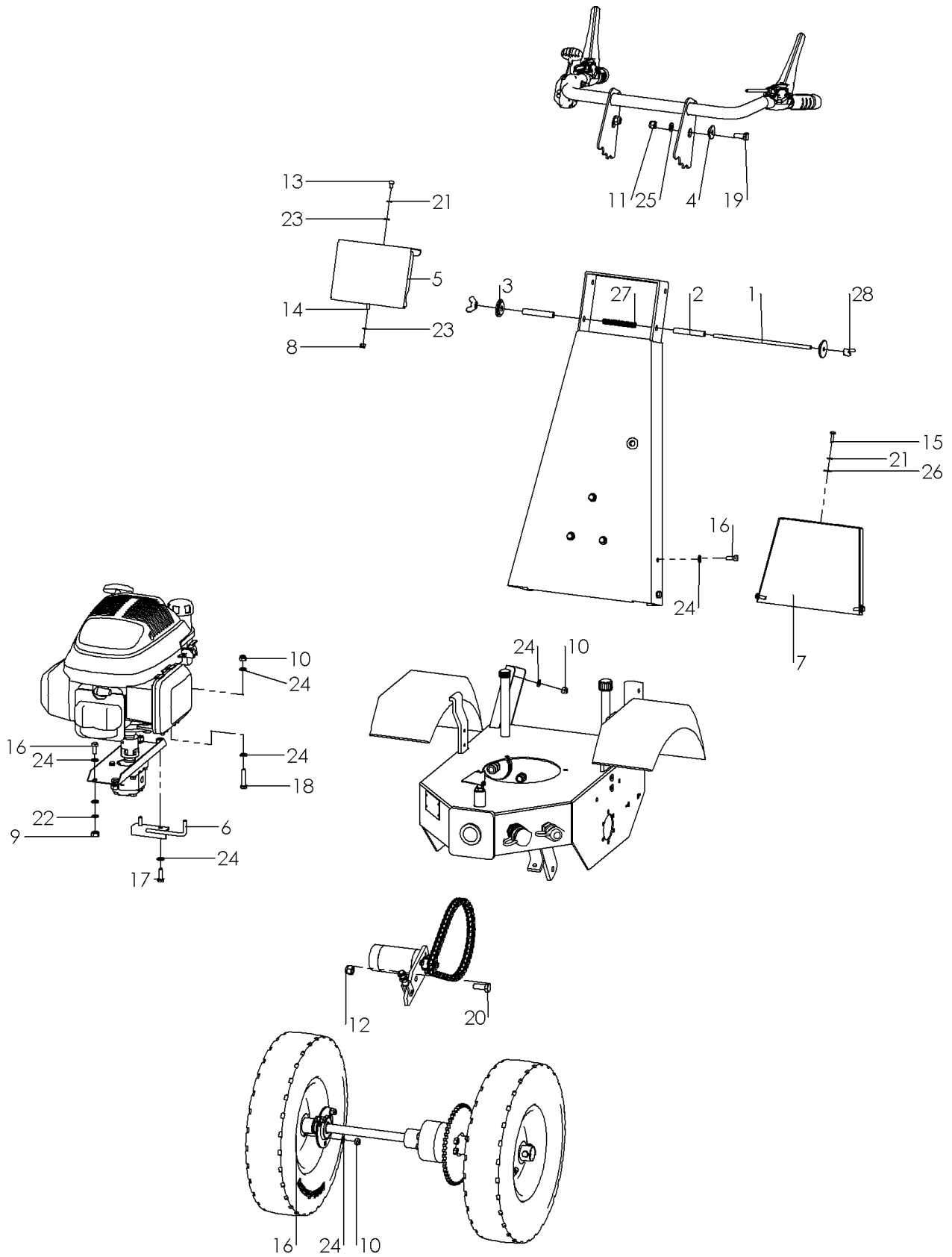
1.4 K 820 PRO - C01092 R01



No.	Art.	Num.	Designation
1	C01093 R01	1	Assembly
2	C00891 R01	1	Headers
3	C00339 R00	1	Differential axle
4	C00963 R01	1	Honda engine GXV 160 with large gear pump
5	C00915 R00	1	Travel drive
6	C00922 R00	1	Handrail (rigid)
7	C00923 R00	1	Hydraulic control for drive and PTO
8	C01091 R00	1	Control panel without auxiliary unit
9	C01308 R01	1	Tube set

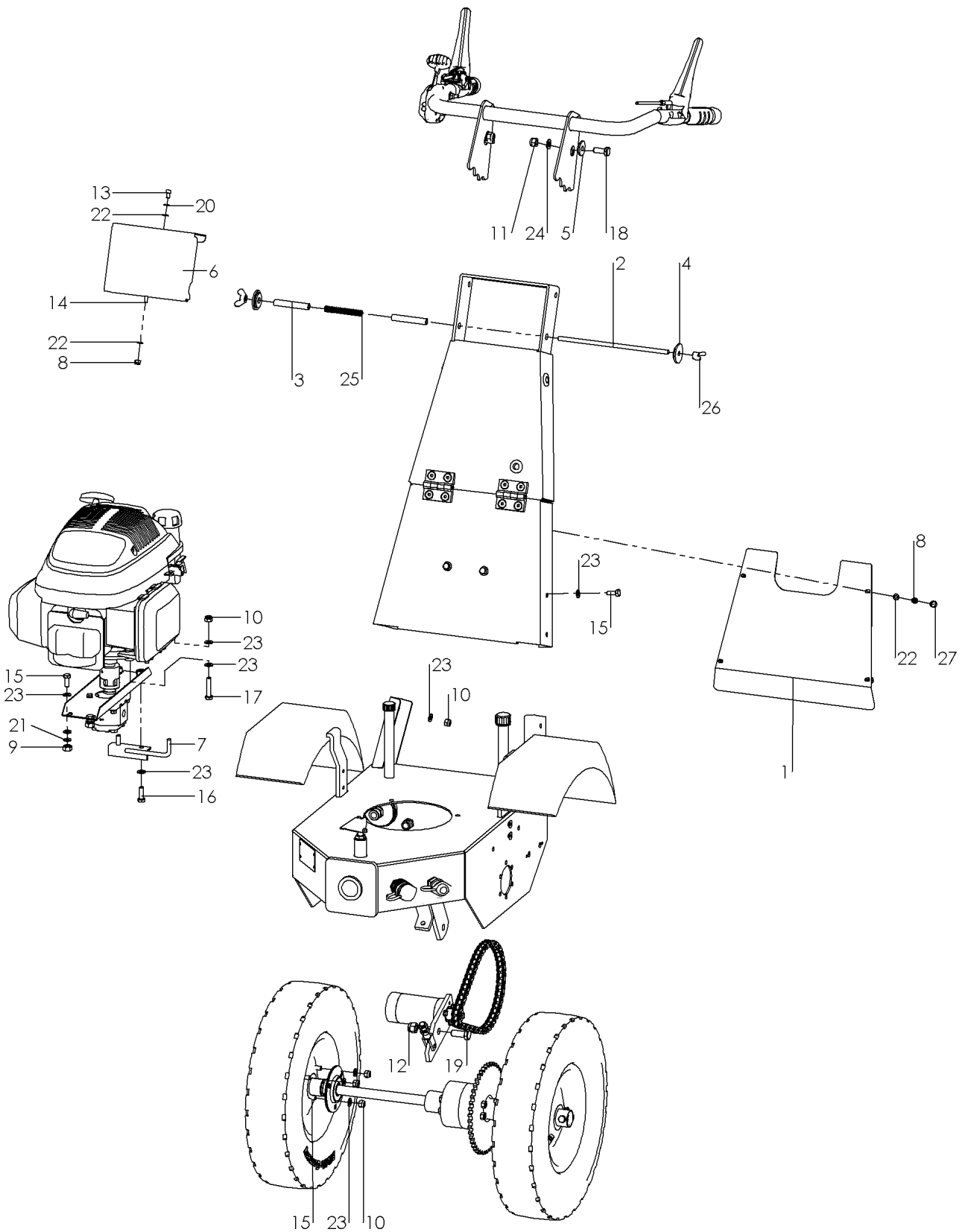
2 Overview of Modules

2.1 K 820 G - Assembly - C00928 R01



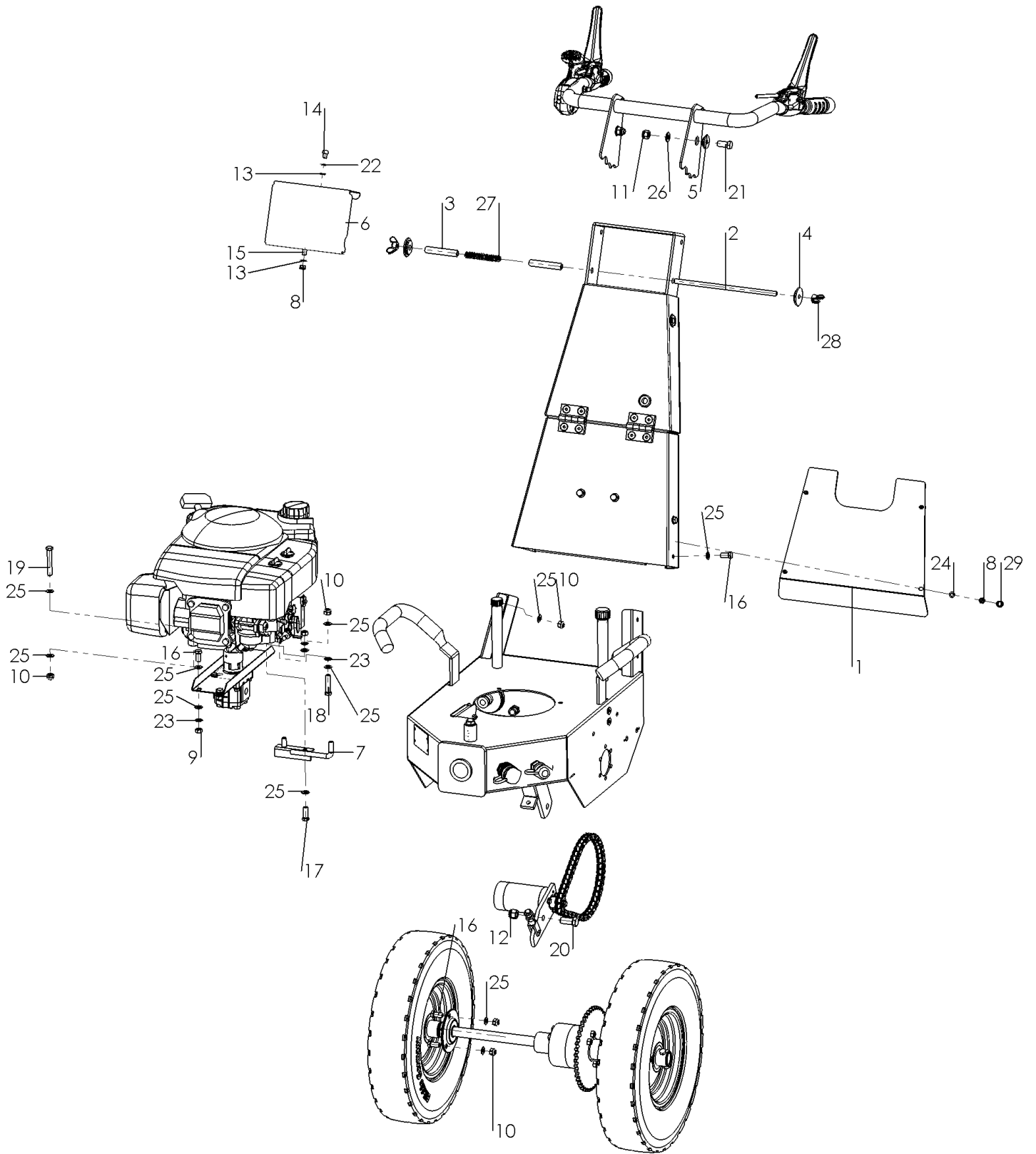
No.	Art.	Num.	Designation
1	820 000 040	1	Threaded rod
2	820 000 050	2	Spacer tube
3	820 000 060	2	Clamping disc
4	820 000 061	2	Clamping disc
5	820 000 080	1	Hood hand rail
6	820 000 100	1	Hose holder
7	820 000 130	1	Cover for driving and auxiliary drive valve
8	900 006 002	1	Stop mother
9	900 008 001	4	Hexagon nut
10	900 008 002	13	Stop mother
11	900 010 002	2	Stop mother
12	900 012 002	1	Stop mother
13	901 006 010	1	Cylinder head screw with onside skt.
14	901 006 016	1	Hexagon screw
15	901 006 020	3	Hexagon screw
16	901 008 020	12	Hexagon screw
17	901 008 025	2	Hexagon screw
18	901 008 040	3	Hexagon screw
19	901 010 025	2	Hexagon screw
20	901 012 030	1	Skt. Screw
21	905 006 000	4	Spring washer
22	905 008 000	4	Spring washer
23	905 106 000	3	Washer
24	905 108 000	28	Washer
25	905 110 000	2	Washer
26	905 206 018	3	K-disc
27	909 100 262	1	Compression spring
28	941 300 634	2	Butterfly nut

2.2 K 820 KLA - Assembly - C00935 R01



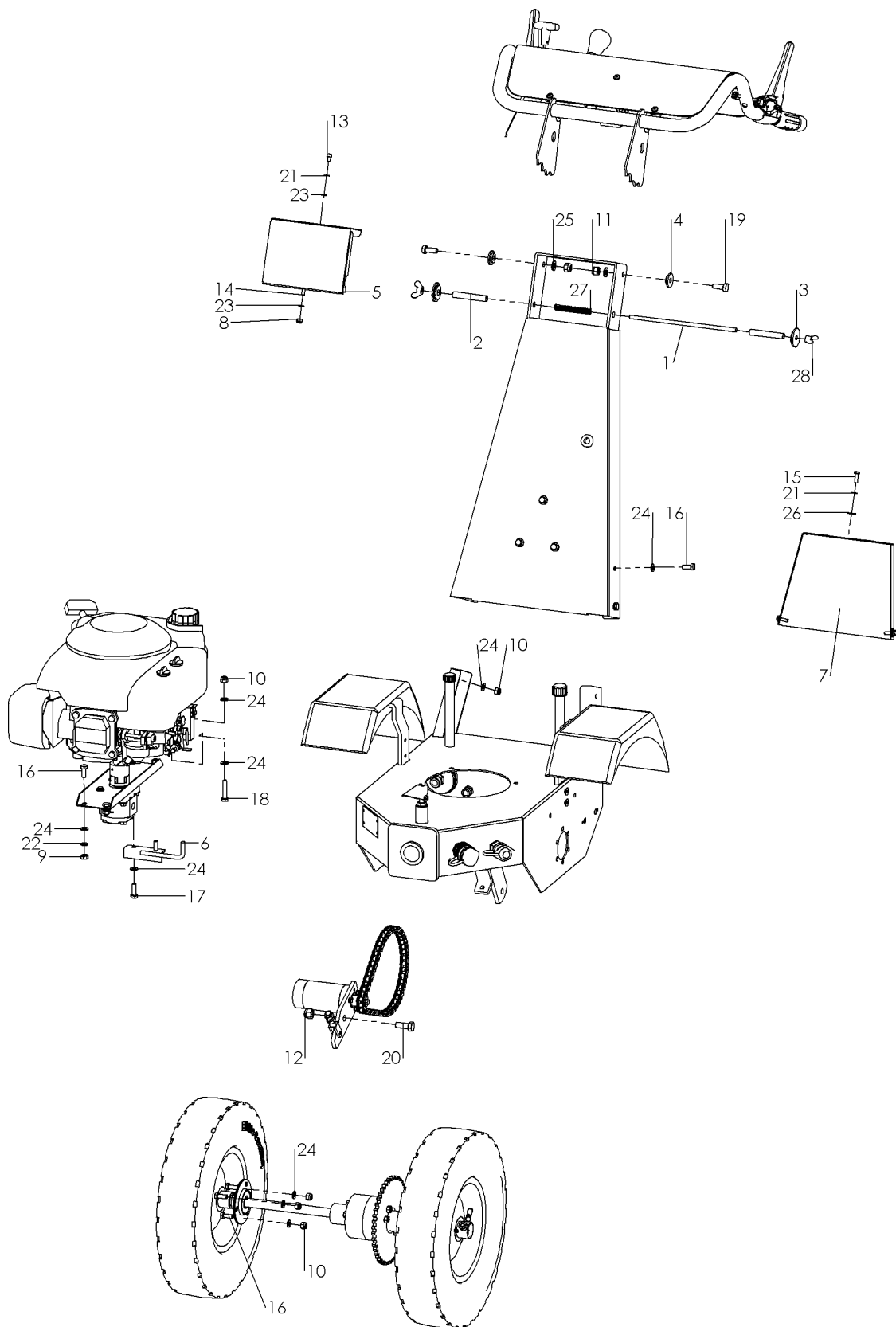
No.	Art.	Num.	Designation
1	820 000 015	1	Cover for guide bar below
2	820 000 040	1	Threaded rod
3	820 000 050	2	Spacer tube
4	820 000 060	2	Clamping disc
5	820 000 061	2	Clamping disc
6	820 000 080	1	Hood hand rail
7	820 000 100	1	Hose holder
8	900 006 002	5	Stop mother
9	900 008 001	4	Hexagon nut
10	900 008 002	13	Stop mother
11	900 010 002	2	Stop mother
12	900 012 002	1	Stop mother
13	901 006 010	1	Cylinder head screw with Inside skt.
14	901 006 016	1	Hexagon screw
15	901 008 020	12	Hexagon screw
16	901 008 025	2	Hexagon screw
17	901 008 040	3	Hexagon screw
18	901 010 025	2	Hexagon screw
19	901 012 030	1	Skt. Screw
20	905 006 000	1	Spring washer
21	905 008 000	4	Spring washer
22	905 106 000	7	Washer
23	905 108 000	28	Washer
24	905 110 000	2	Washer
25	909 100 262	1	Compression spring
26	941 300 634	2	Butterfly nut
27	943 559 006	4	Cap

2.3 K 820 L - Assembly - C00964 R01



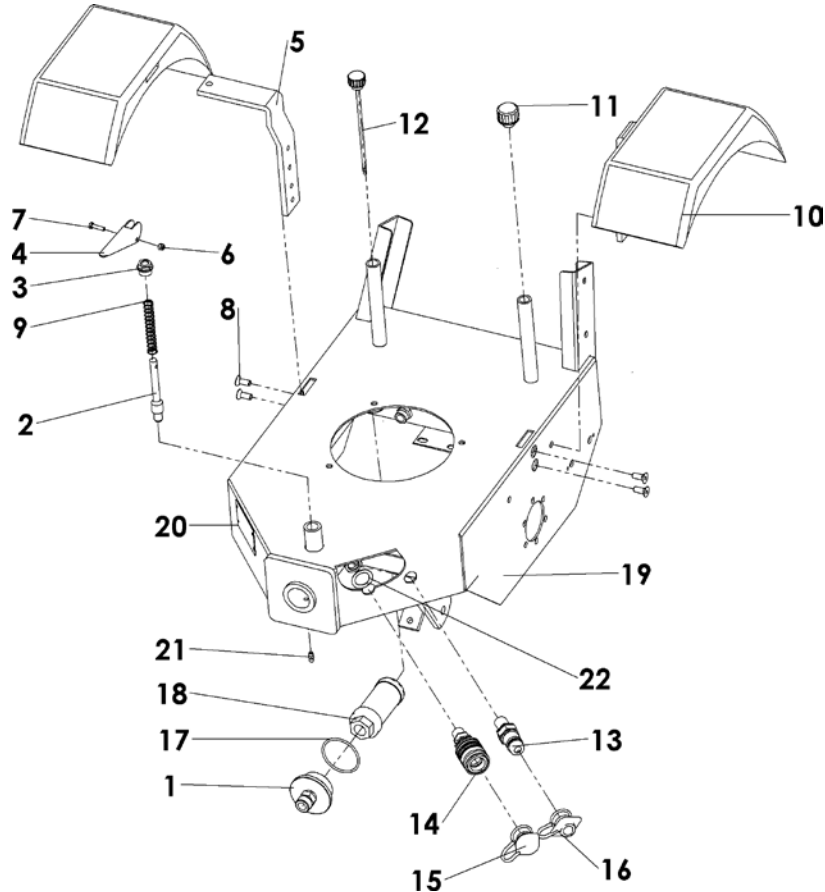
No.	Art.	Num.	Designation
1	820 000 015	1	Cover for guide bar below
2	820 000 040	1	Threaded rod
3	820 000 050	2	Spacer tube
4	820 000 060	2	Clamping disc
5	820 000 061	2	Clamping disc
6	820 000 080	1	Hood hand rail
7	820 000 100	1	Hose holder
8	900 006 002	5	Stop mother
9	900 008 001	4	Hexagon nut
10	900 008 002	12	Stop mother
11	900 010 002	2	Stop mother
12	900 012 002	1	Stop mother
13	900 106 000	3	Washer
14	901 006 010	1	Cylinder head screw with inside skt.
15	901 006 016	1	Hexagon screw
16	901 008 020	12	Hexagon screw
17	901 008 025	2	Hexagon screw
18	901 008 040	2	Hexagon screw
19	901 008 060	1	Skt. Screw
20	901 012 030	1	Skt. Screw
21	901 010 025	2	Hexagon screw
22	905 006 000	1	Spring washer
23	905 008 000	6	Spring washer
24	905 106 000	4	Washer
25	905 108 000	28	Washer
26	905 110 000	2	Washer
27	909 100 262	1	Compression spring
28	941 300 634	2	Butterfly nut
29	943 559 006	4	Cap

2.4 K 820 PRO - Assembly- C01093 R01



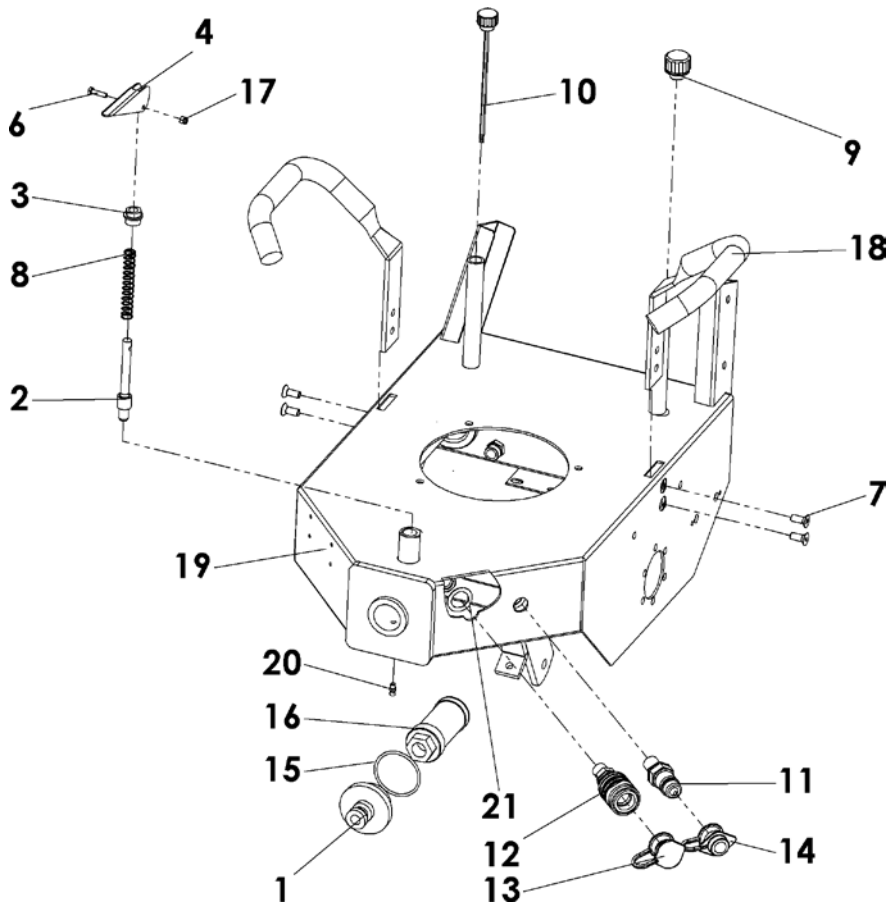
No.	Art.	Num.	Designation
1	820 000 040	1	Threaded rod
2	820 000 050	2	Spacer tube
3	820 000 060	2	Clamping disc
4	820 000 061	2	Clamping disc
5	820 000 080	1	Hood hand rail
6	820 000 100	1	Hose holder
7	820 000 130	1	Cover for driving and auxiliary drive valve
8	900 006 002	1	Stop mother
9	900 008 001	4	Hexagon nut
10	900 008 002	13	Stop mother
11	900 010 002	2	Stop mother
12	900 012 002	1	Stop mother
13	901 006 010	1	Cylinder head screw with Innenskt.
14	901 006 016	1	Skt.- screw
15	901 006 020	3	Skt.- screw
16	901 008 020	12	Skt.- screw
17	901 008 025	2	Skt.- screw
18	901 008 040	3	Skt.- screw
19	901 010 025	2	Skt.- screw
20	901 012 030	1	Skt. Screw
21	905 006 000	4	Spring washer
22	905 008 000	4	Spring washer
23	905 106 000	3	Washer
24	905 108 000	28	Washer
25	905 110 000	2	Washer
26	905 206 018	3	K-disc
27	909 100 262	1	Compression spring
28	941 300 634	2	Butterfly nut

2.5 Headers K 820 G/KLA/PRO - C00891 R01



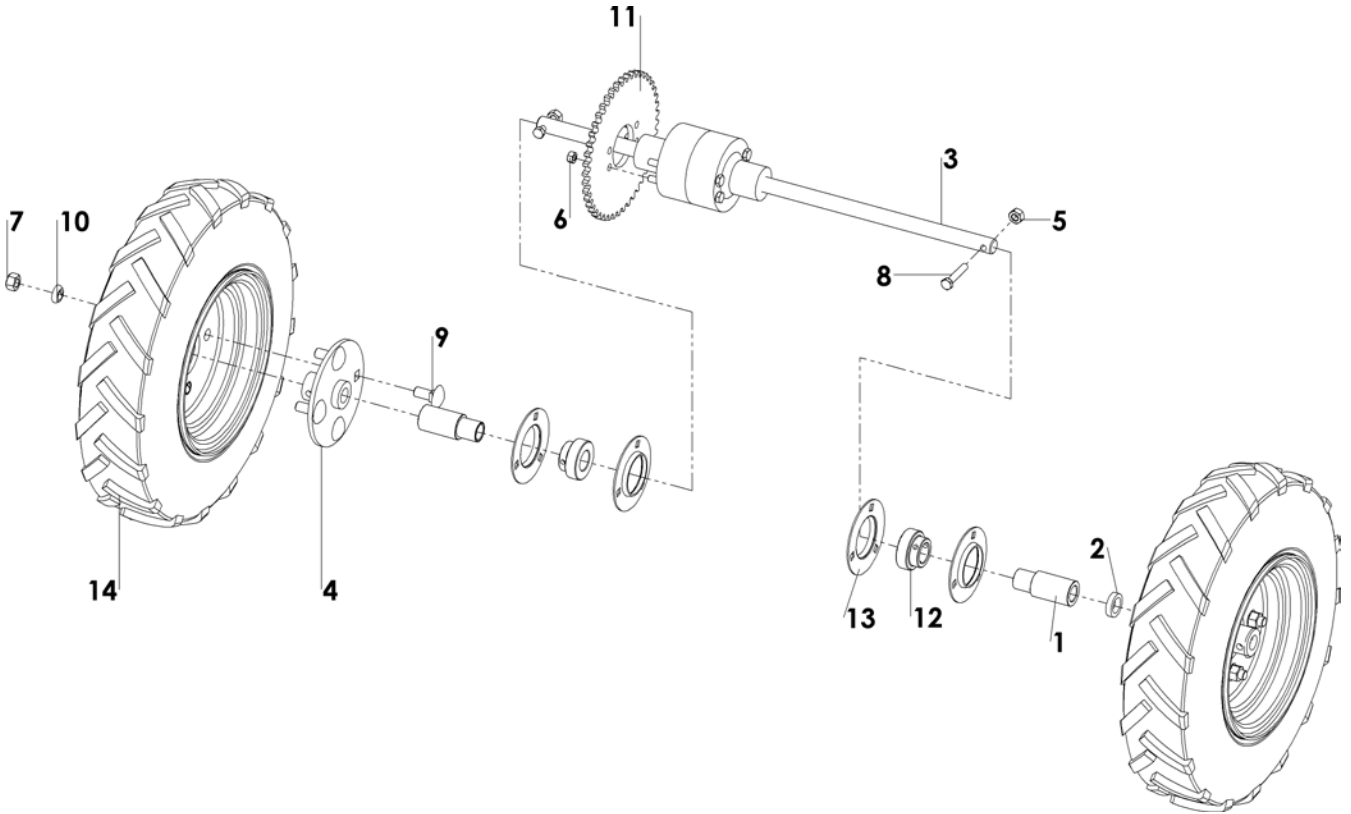
No.	Art.	Num.	Designation
1	110 000 135	1	Filter carrier in the tank
2	700 000 170	1	Locking pin
3	700 000 171	1	Screw
4	700 000 172	1	Safety lever
5	820 000 011	2	Holder fender
6	900 005 002	1	Stop mother
7	901 005 020	1	Skt.-screw without shank
8	901 208 020	4	Countersunk. with inner Skt.
9	909 100 189	1	Compression spring
10	926 900 001	1	Mudguard set
11	931 200 031	1	Bleed screw
12	931 201 031	1	Dipstick
13	932 161 323	1	Schott plug
14	932 261 223	1	Schott sleeve
14a	937 300 028	1	Seal kit f. sleeve
15	932 391 022	1	Dust cap hydraulic sleeve
16	932 391 032	1	Dust cap Hydraulic plug
17	937 105 830	1	Seal
18	937 200 010	1	Filter element
19	C00920	1	Headers
20	On demand	1	Nameplate
21	910 006 000	1	Grease nipple
22	905 322 010	2	Spacer

2.6 Basic housing K820 L - C00971 R01



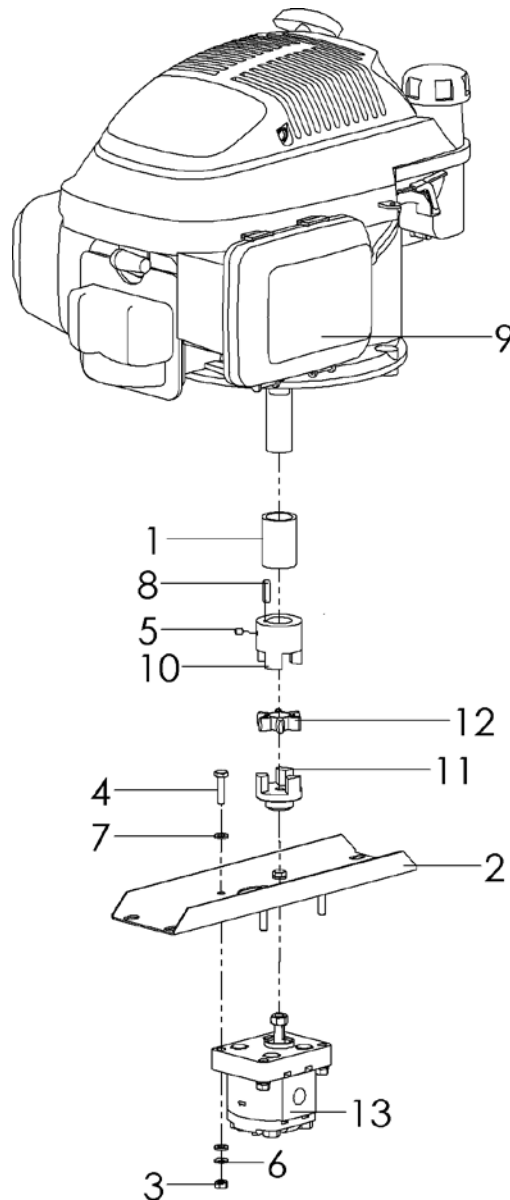
No.	Art.	Num.	Designation
1	110 000 135	1	Filter carrier in the tank
2	700 000 170	1	Locking pin
3	700 000 171	1	Screw
4	700 000 172	1	Safety lever
5	900 005 002	1	Stop mother
6	901 005 020	1	Skt.-screw without shank
7	901 208 020	4	Countersunk screw with inner socket.
8	909 100 189	1	Compression spring
9	931 200 031	1	Bleed screw
10	931 201 031	1	Dipstick
11	932 161 323	1	Schott plug
12	932 261 223	1	Schott sleeve
12a	937 300 028	1	Seal kit for sleeve
13	932 391 022	1	Dust cap hydraulic sleeve
14	932 391 032	1	Dust cap Hydraulic plug
15	937 105 830	1	Seal
16	937 200 010	1	Filter element
17	C00920	1	Headers
18	C00969	2	Carry handle Holland
19	On demand	1	Nameplate
20	910 006 000	1	Grease nipple
21	905 322 010	2	Spacer

2.7 Differential axle from Masch.- Nr.: - C00339 R00



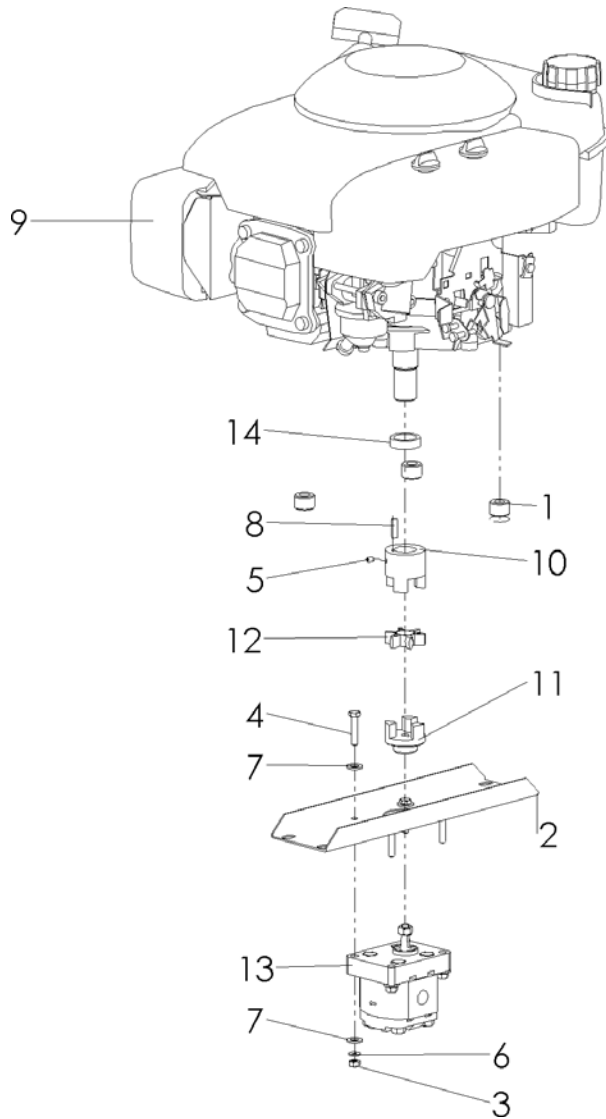
No.	Art.	Num.	Designation
1	700 000 021	2	Bearing bush
2	705 300 507	1	Rifle
3	712 000 005	1	Differential axle
4	712 000 022	2	Wheel hub
5	900 008 001	2	Hexagon nut
6	900 008 016	4	Hexagon-inch nut
7	900 012 001	8	Hexagon nut
8	901 008 045	2	Hexagon screw
9	901 912 030	8	Carriage bolt
10	905 712 000	8	Limes ring
11	920 501 145	1	Sprocket wheel 45Z
12	924 100 205	2	Ball-bearing
13	924 200 205	4	Bearing cups - set
14	See tire list	2	Wheel-set

2.8 Honda Engine GCV 160 for K 820 G/KLA - C00924 R00



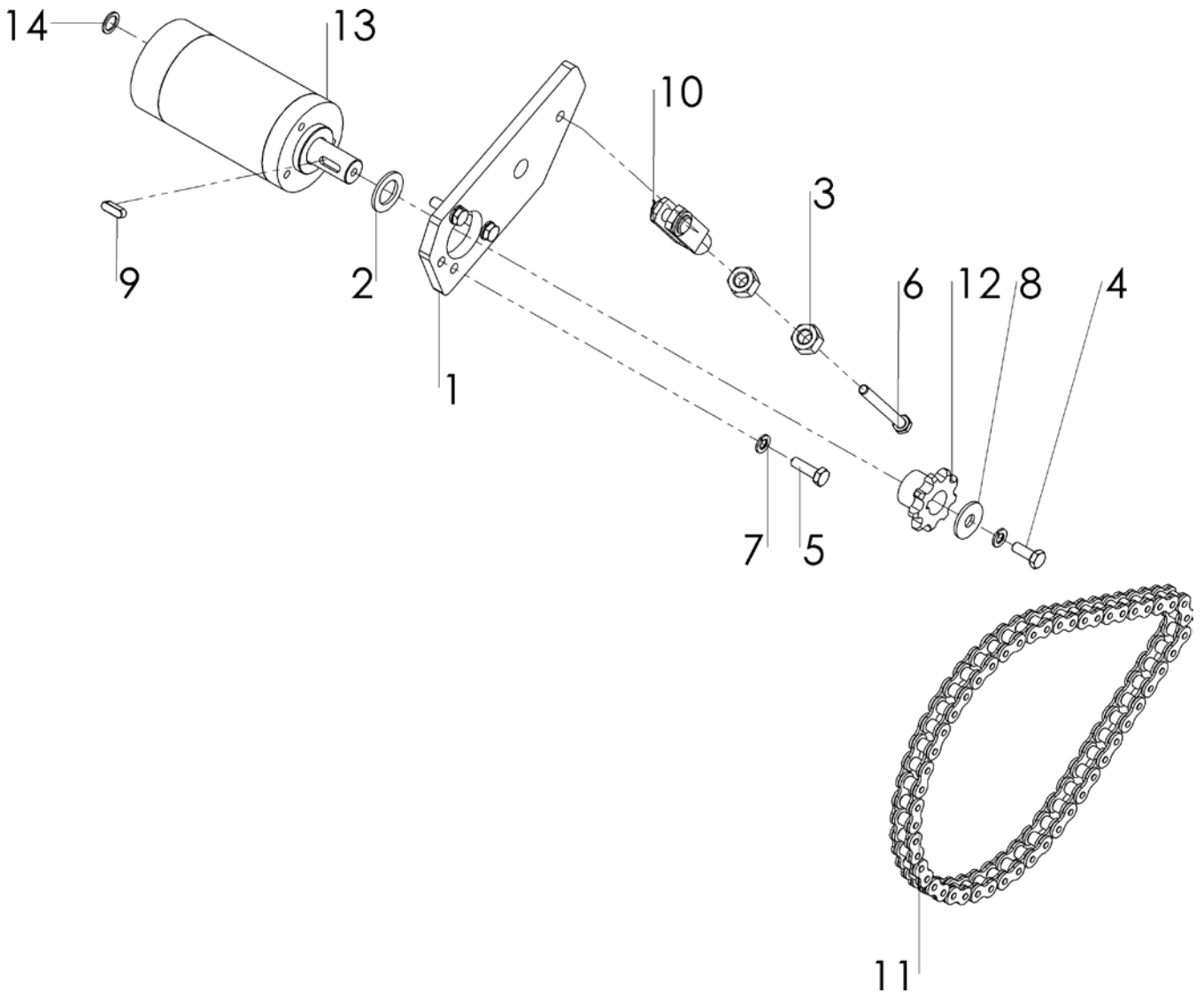
No.	Art.	Num.	Designation
1	705 302 343	1	Spacer bushing
2	712 000 029	1	Bellhousing
3	900 006 001	4	Hexagon nut
4	901 006 025	4	Hexagon screw
5	902 305 008	1	Set screw
6	905 006 000	4	Spring washer
7	905 106 000	8	Washer
8	908 047 420	1	Adjusting spring
9	920 000 055	1	Honda engine
10	925 101 025	1	Clutch Motor side
11	925 103 019	1	Clutch hub Pump side
12	925 202 098	1	Coupling driver
13	934 100 029	1	Hydraulic pump

2.9 Honda Engine GXV 160 for K 820 L/PRO - C00963 R01



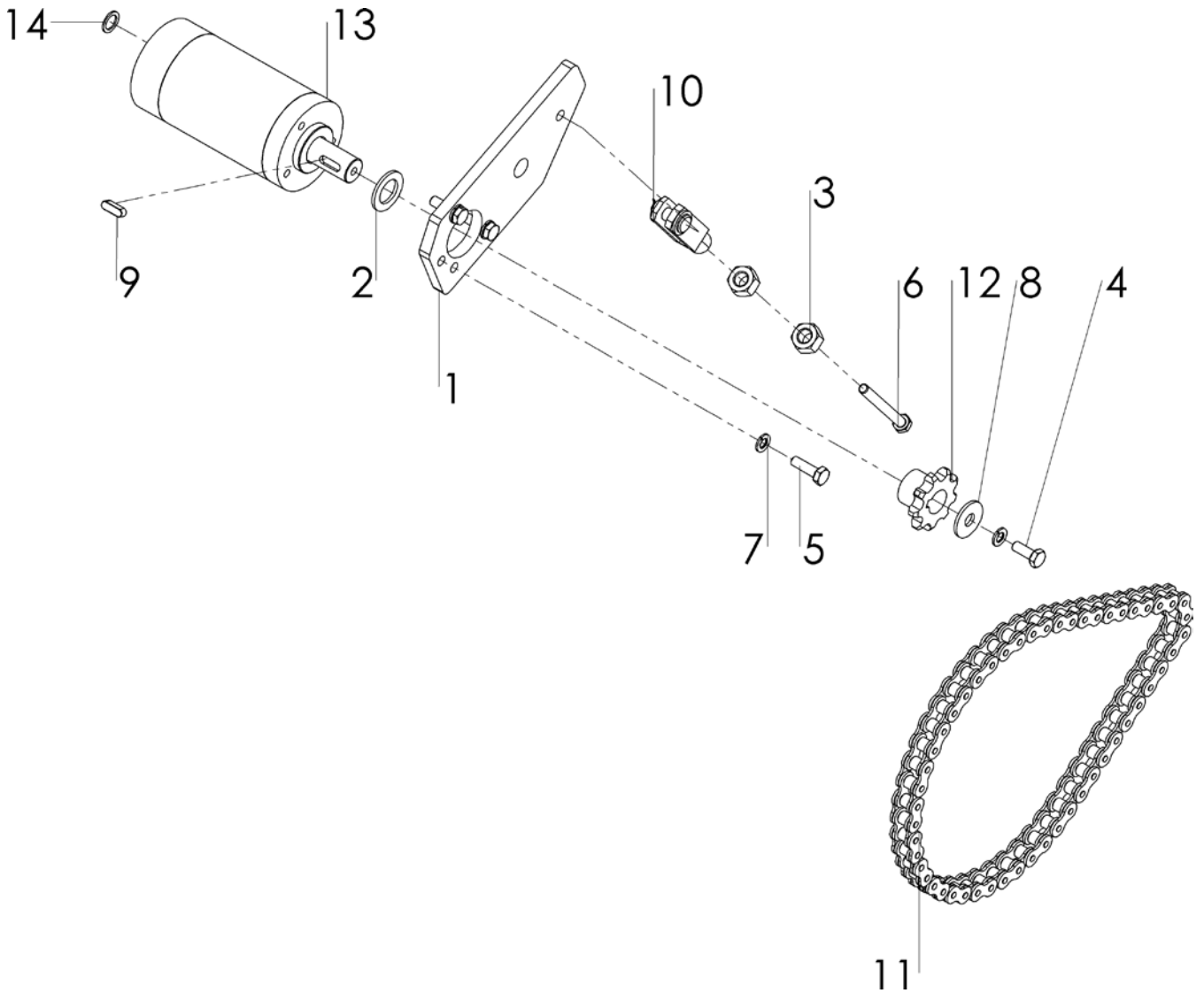
No.	Art.	Num.	Designation
1	705 205 013	3	Rifle
2	712 000 029	1	Bellhousing
3	900 006 001	4	Hexagon nut
4	901 006 030	4	Hexagon screw
5	902 305 008	1	Set screw
6	905 006 000	4	Spring washer
7	905 108 000	8	Washer
8	908 047 420	1	Adjusting spring
9	920 000 011	1	Honda engine
10	925 101 025	1	Clutch motor side
11	925 103 019	1	Clutch hub Pump side
12	925 202 098	1	Coupling driver
13	934 110 037	1	Hydraulic pump
14	C01029	1	Spacer bushing

2.10 Travel drive for K 820 G/KLA/Pro - C00915 R00



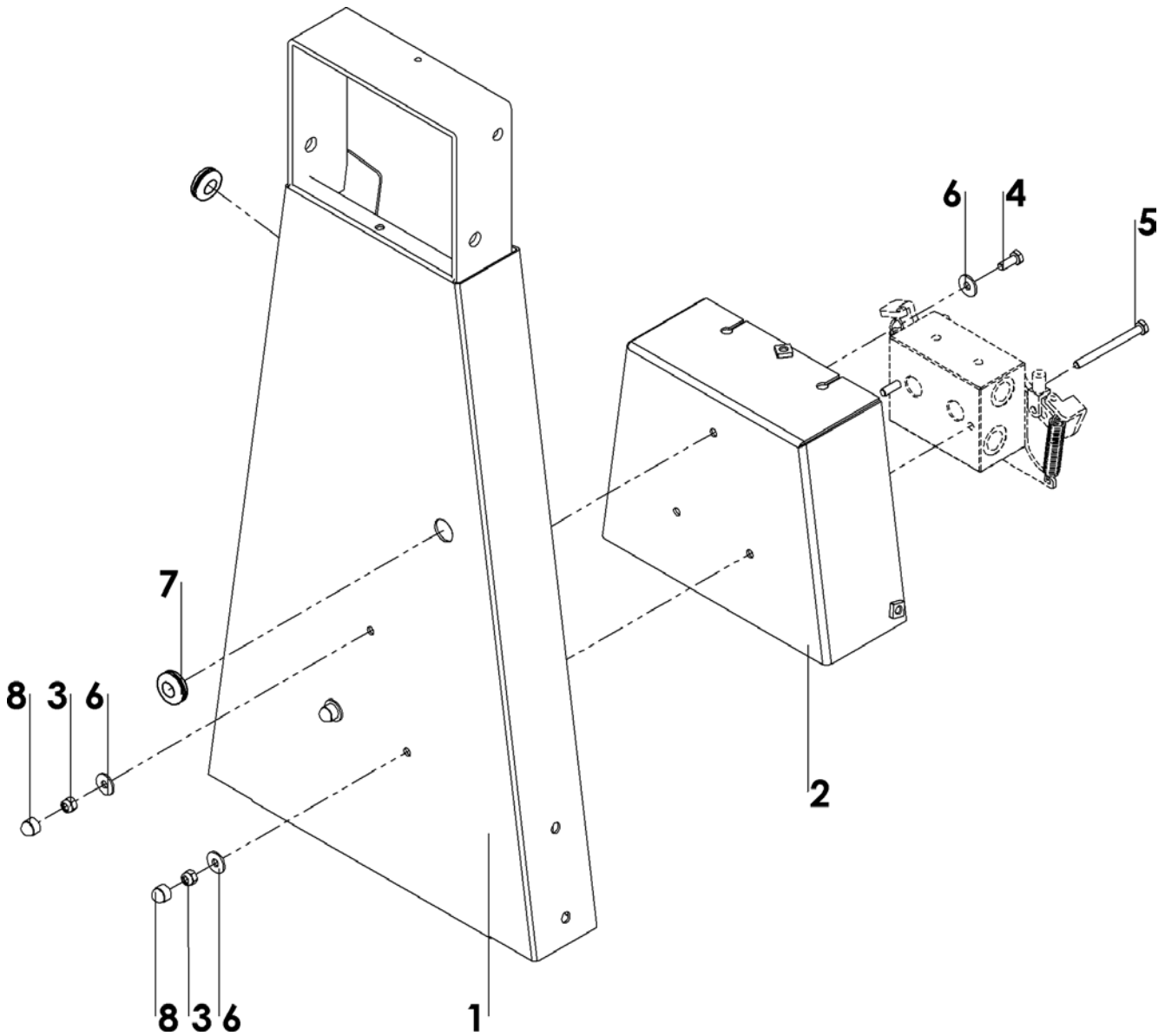
No.	Art.	Num.	Designation
1	700 000 035	1	Engine holder
2	701 301 503	1	Disc
3	900 008 001	2	Hexagon nut
4	901 006 016	1	Hexagon screw
5	901 006 020	3	Hexagon screw
6	901 006 060	1	Skt.- screw
7	905 006 000	4	Spring washer
8	905 208 025	1	Diameter washer
9	908 005 516	1	Adjusting spring
10	908 408 032	1	Yoke
11	920 100 707	1	Chain
12	920 401 009	1	Sprocket
13	935 101 040	1	Hydraulic motor
14	937 110 201	1	Seal kit

2.11 Travel drive for K 820/K 820 Pro L-C01240 R00



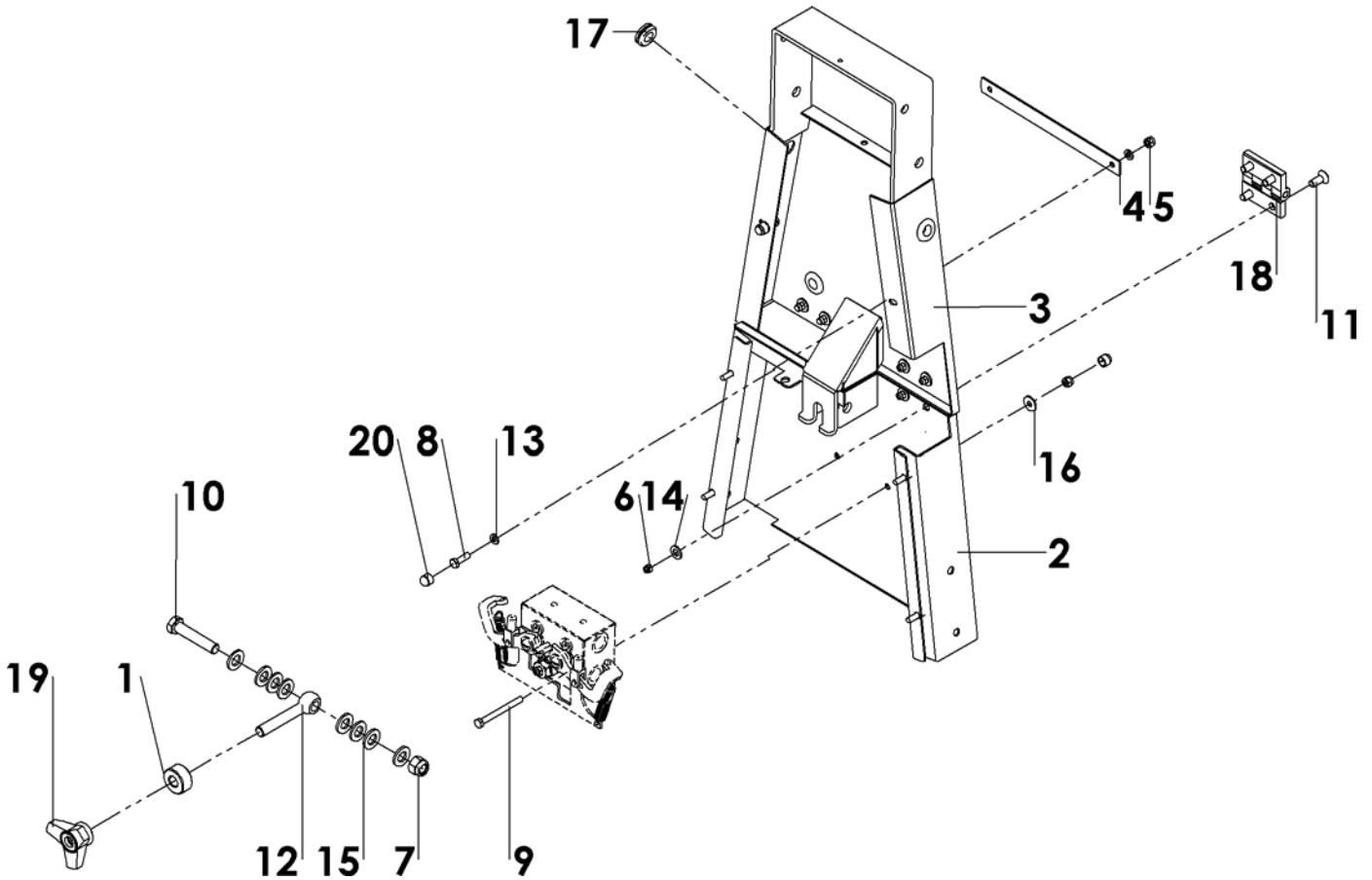
No.	Art.	Num.	Designation
1	700 000 035	1	Engine holder
2	701 301 503	1	Disc
3	900 008 001	2	Hexagon nut
4	901 006 016	1	Hexagon screw
5	901 006 020	3	Hexagon screw
6	901 006 060	1	Skt.- screw
7	905 006 000	4	Spring washer
8	905 208 025	1	Diameter washer
9	908 005 516	1	Adjusting spring
10	908 408 032	1	Yoke
11	920 100 707	1	Chain
12	920 401 009	1	Sprocket
13	935 101 050	1	Hydraulic motor
14	937 110 201	1	Seal kit

2.12 Hand holm K 820/K 820 G/PRO - C00922 R00



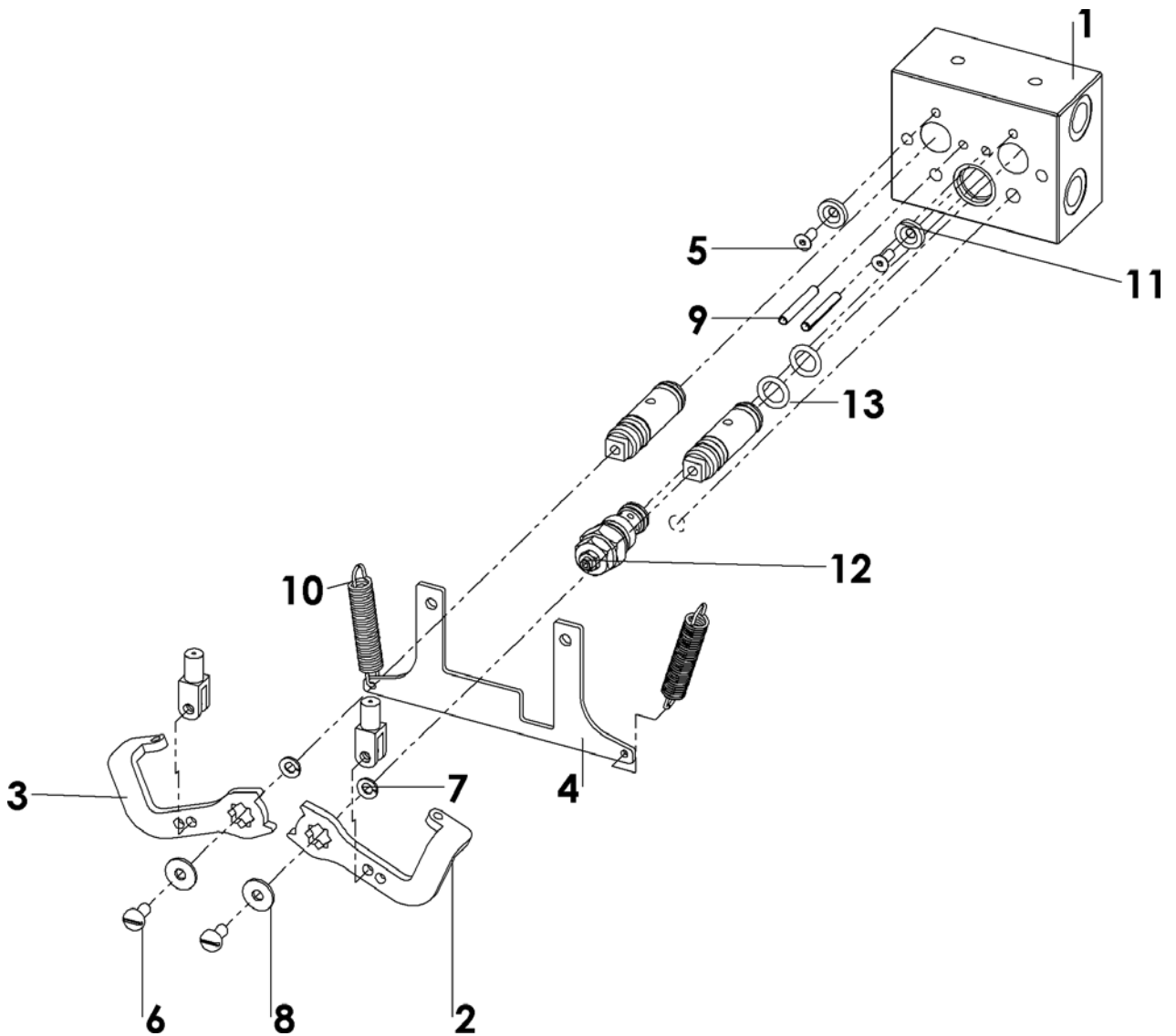
No.	Art.	Num.	Designation
1	713 000 006	1	Handrail K-GS
2	820 000 120	1	Attachment drive & PTO valve
3	900 006 002	3	Stop mother
4	901 006 016	1	Hexagon screw
5	901 006 070	2	Hexagon screw
6	905 206 018	4	K-disc
7	908 706 652	2	Cable grommet, double-sided
8	943 559 006	3	Cap

2.13 Hand holm K 820 KLA/L - C00934 R00



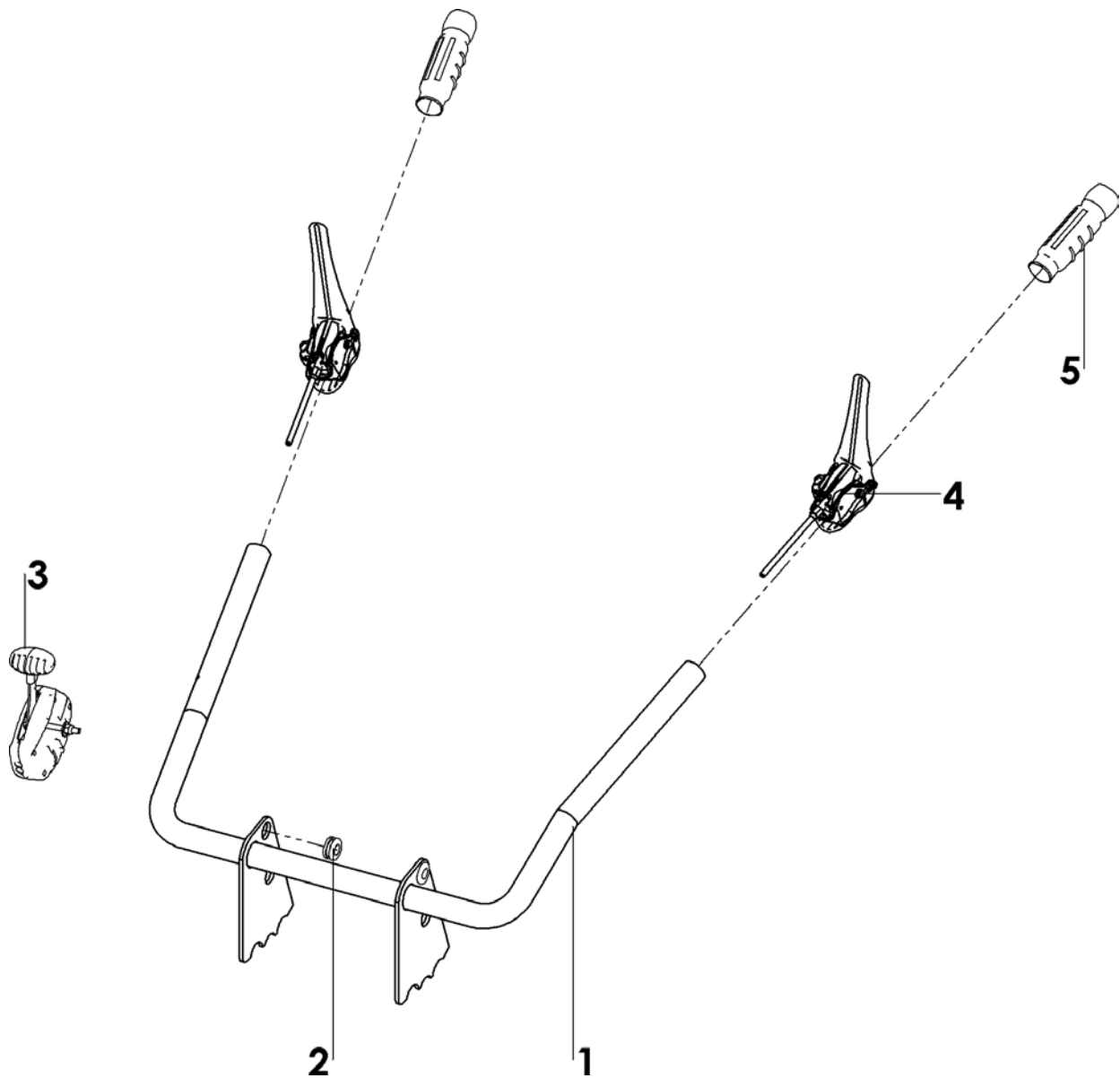
No.	Art.	Num.	Designation
1	705 820 001	1	Spacer ring locking
2	820 000 010	1	Guide bar below
3	820 000 020	1	Guide rail above
4	820 000 025	1	Strut for guide rail above
5	900 006 002	4	Stop mother
6	900 008 002	8	Stop mother
7	900 012 002	1	Stop mother
8	901 006 020	2	Hexagon screw
9	901 006 065	2	Hexagon screw
10	901 012 060	1	Hexagon screw
11	901 208 020	8	Countersunk. with inner Skt.
12	903 012 080	1	Eyes screw
13	905 106 000	4	Washer
14	905 108 000	8	Washer
15	905 112 000	8	Washer
16	905 206 018	2	K-disc
17	908 706 652	3	Cable grommet, double-sided
18	908 801 014	2	Screwdriver
19	941 245 330	1	Three-star grip
20	943 559 006	4	cap

2.14 Hydraulic control - C00923 R00



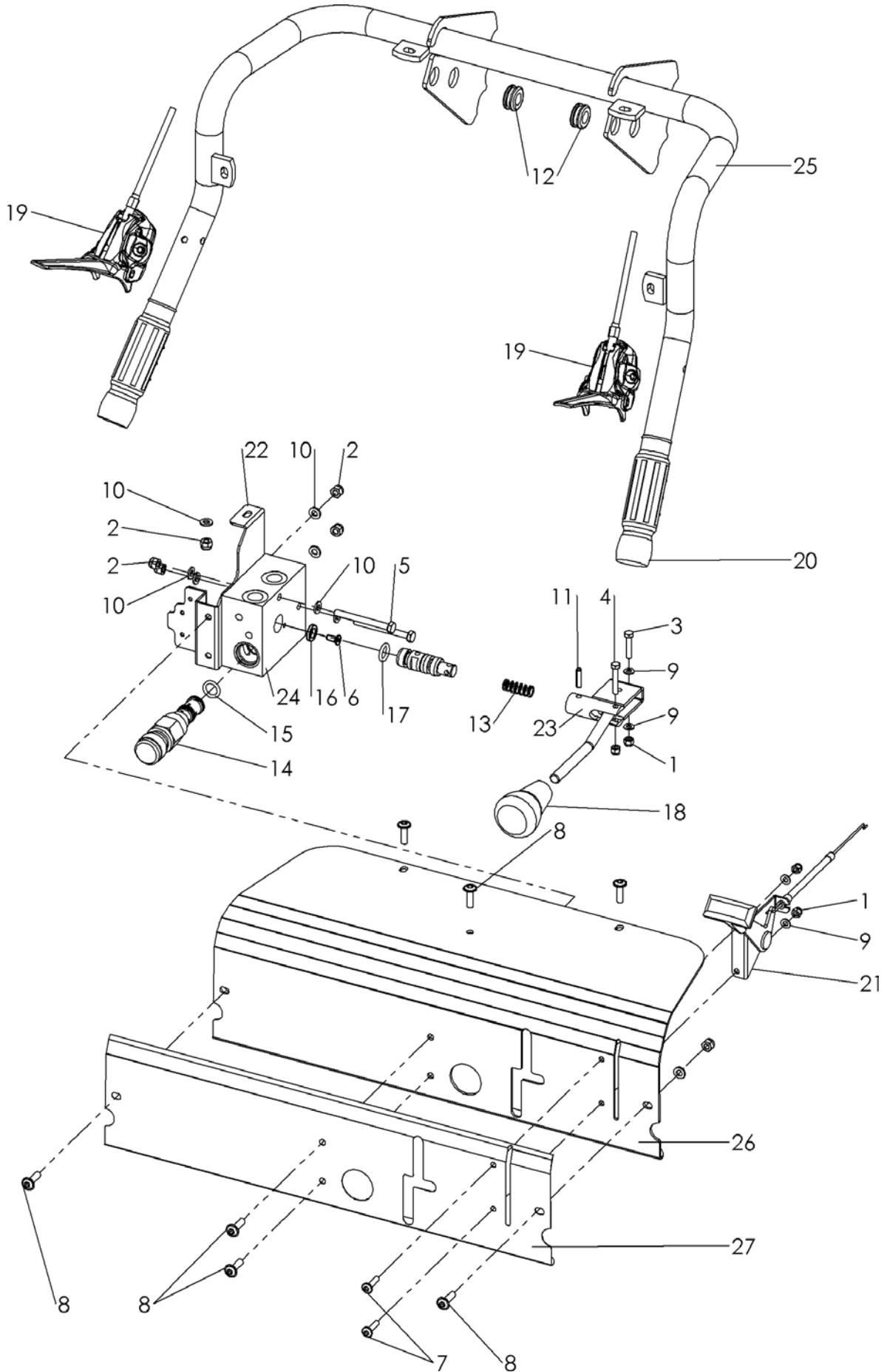
No.	Art.	Num.	Designation
1	700 500 065	1	Driving and PTO valve
2	769 300 010	1	Swingarm left for pistons
3	769 300 020	1	Rocker right for pistons
4	820 000 007	1	Retaining plate for tension spring
5	901 205 012	2	Countersunk
6	903 920 612	2	Flat headed screw
7	905 006 000	2	Spring washer
8	905 206 018	2	K-disc
9	907 350 036	2	Dowel pin
10	909 200 124	2	Mainspring
11	936 401 001	2	Handguard
12	936 500 534	1	Pressure relief valve
13	937 125 031	2	Seal kit

2.15 Control panel K 820 G/KLA/L - C00927 R00



No.	Art.	Num.	Designation
1	820 000 030	1	Hand Holm
2	908 706 665	2	Grommet
3	941 130 712	1	Throttle
4	941 820 110	2	Driving lever with Bowden cable
5	941 908 015	2	Handle

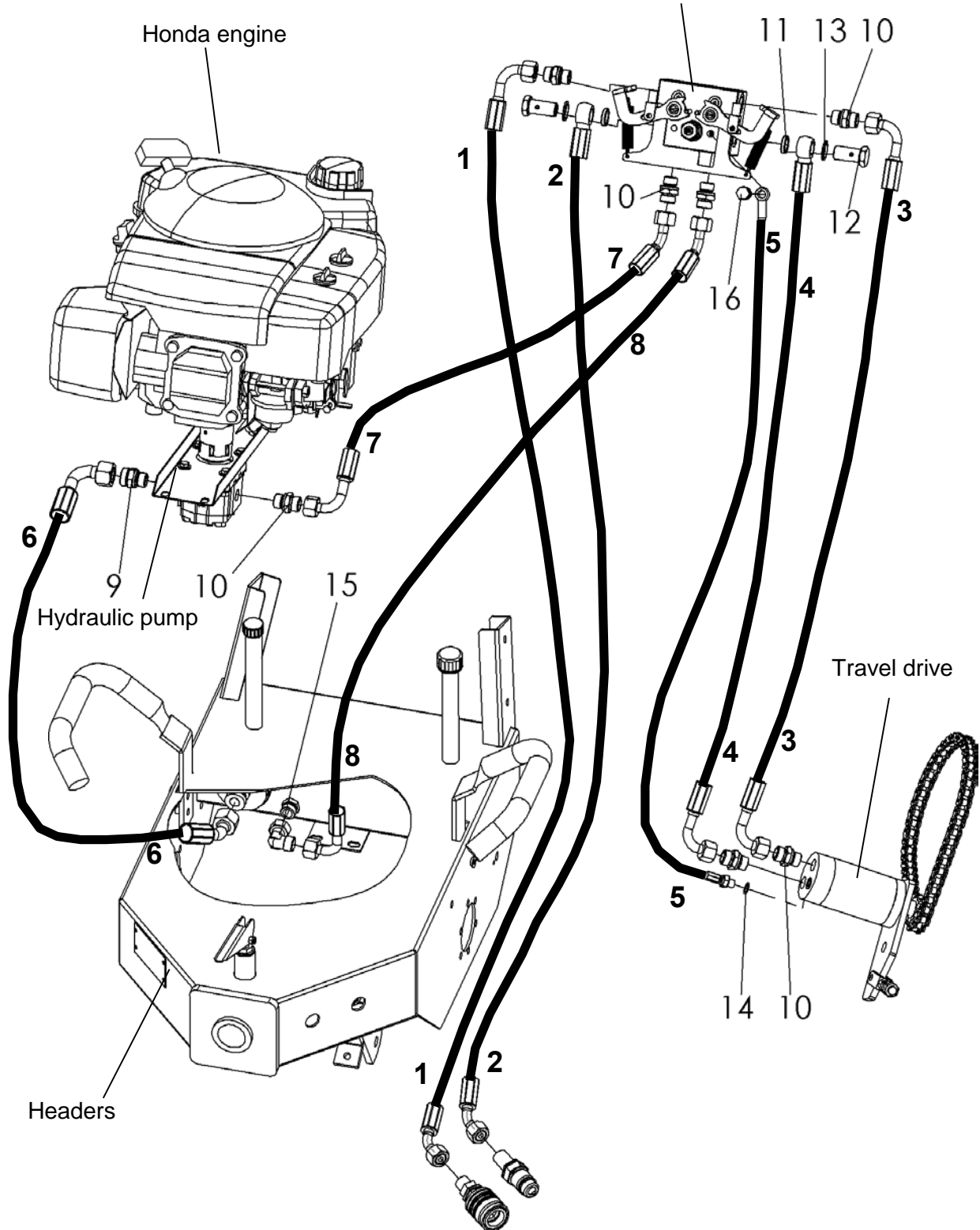
2.16 Control panel K 820 PRO – C01091 R00



No.	Art.	Num.	Designation
1	900 005 002	4	Stop mother
2	900 006 002	9	Stop mother
3	901 005 025	1	Skt.- screw
4	901 005 030	1	Skt.- screw
5	901 006 060	2	Skt.- screw
6	901 205 012	1	Countersunk
7	903 905 020	2	Lentils with interior.
8	903 906 020	7	Lentils with interior.
9	905 105 000	4	Washer
10	905 106 000	11	Washer
11	907 350 020	1	Dowel pin
12	908 706 665	2	Grommet
13	909 100 192	1	Compression spring
14	936 202 076	1	Control cartridge
15	936 202 077	1	Seal kit for control cartridge
16	936 401 001	1	Handguard
17	937 125 031	2	Seal kit for pistons
18	941 264 510	1	Mushroom handle, long
19	941 820 110	2	PTO lever with Bowden cable
20	941 908 015	2	Handle
21	941 921 133	1	Gas lever LGS with choke position
22	C00044	1	Valve holder for diverter valve
23	C00045	1	Driving lever & driving lever joint
24	C00754	1	Driving with control valve
25	C01097	1	Hand Holm
26	C01098	1	Control console with diverter valve
27	C01226	1	Control panel overlay

2.17 Hose set and hydraulic diagram – K 820/K820 Pro G/ KLA /L - C01046 R01

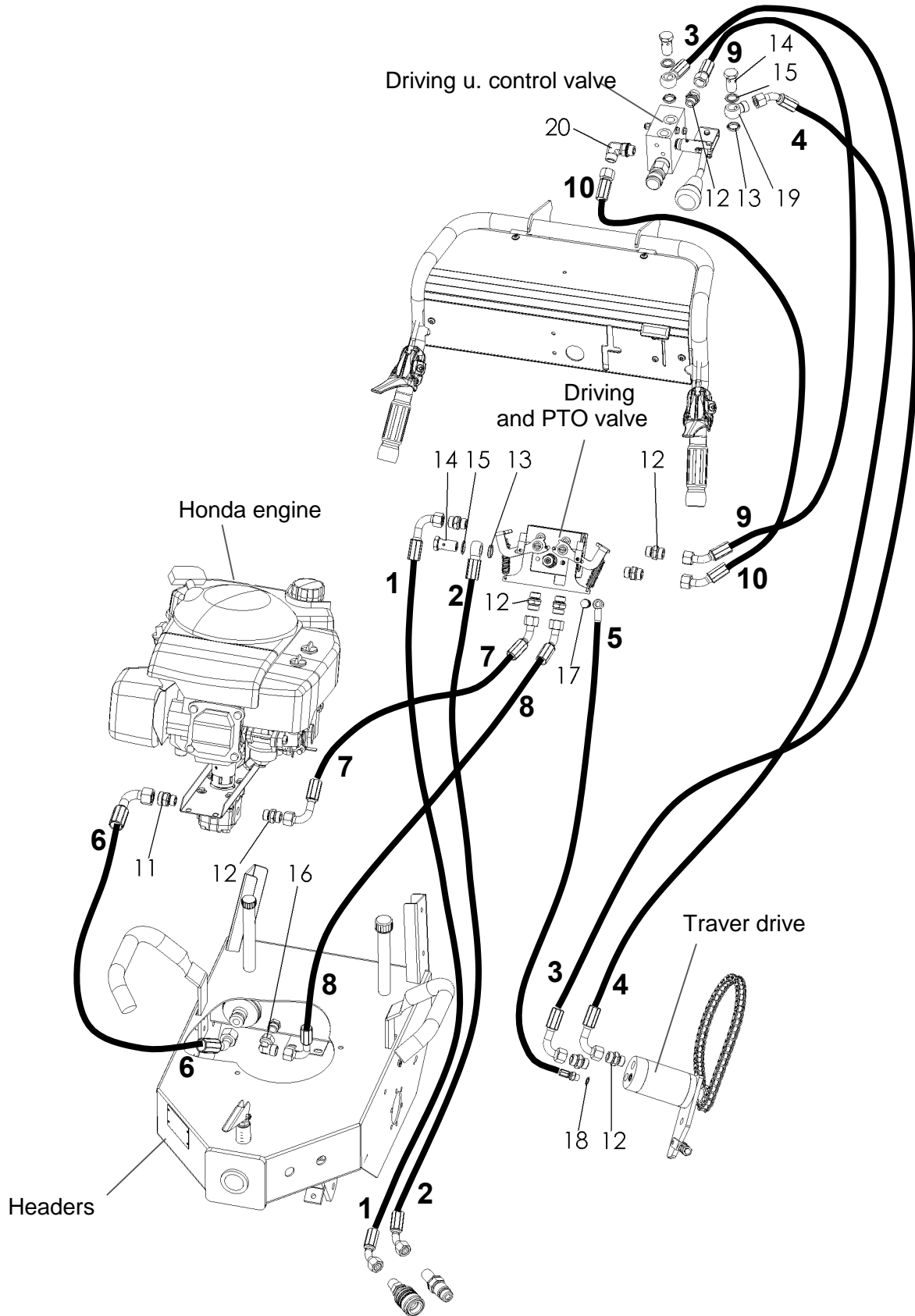
Driving and PTO valve



Hose set and hydraulic diagram – K 820 / K820 Pro G/ KLA /L - C01046 R00

No.	Art.	Num.	Designation
1	930 820 013	1	Hydraulic hose
2	930 820 005	1	Hydraulic hose
3	930 820 002	1	Hydraulic hose
4	930 820 003	1	Hydraulic hose
5	930 820 007	1	Hydraulic hose
6	930 000 006	1	Hydraulic hose
7	930 820 004	1	Hydraulic hose
8	930 820 001	1	Hydraulic hose
9	931 071 538	1	Hydraulic connection
10	931 071 238	7	Hydraulic connection
11	937 101 038	2	Edge sealing ring
12	931 261 038	2	Hollow screw
13	937 117 015	2	Seal
14	937 110 201	1	Seal kit
15	931 061 200	1	Hydraulic connection
16	931 261 118	1	Banjo bolt incl. Sealing edge ring and copper ring

2.18 Hose set and hydraulic diagram - K 820 PRO - C01308 R01

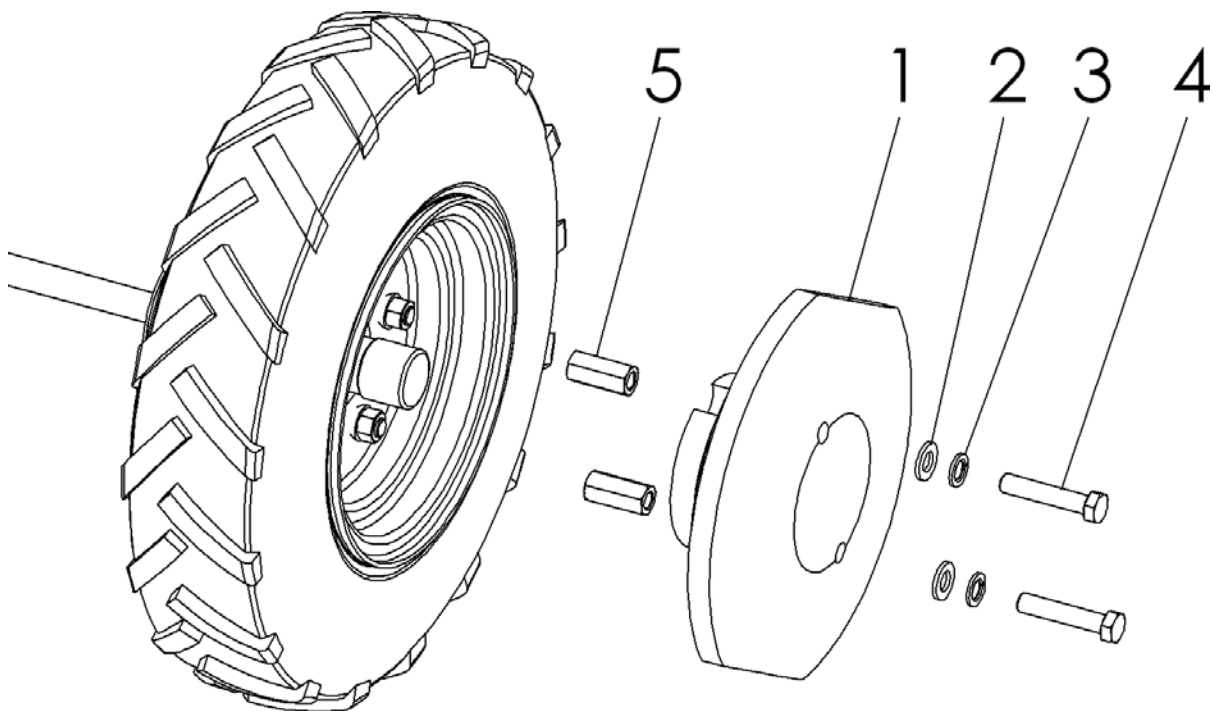


Hose set and hydraulic scheme - K 820 PRO - C01308 R00

No.	Art.	Num.	Designation
1	930 820 013	1	Hydraulic Hose
2	930 820 005	1	Hydraulic Hose
3	930 820 013	1	Hydraulic Hose
4	930 820 014	1	Hydraulic Hose
5	930 820 007	1	Hydraulic Hose
6	930 000 006	1	Hydraulic Hose
7	930 820 004	1	Hydraulic Hose
8	930 820 001	1	Hydraulic Hose
9	930 820 011	1	Hydraulic Hose
10	930 820 012	1	Hydraulic Hose
11	931 071 538	1	Hydraulic fitting
12	931 071 238	9	Hydraulic fitting
13	937 101 038	3	Edge sealing ring
14	931 261 038	3	Hollow screw
15	937 117 015	3	Seal
16	931 061 200	1	Hydraulic fitting
17	931 261 118	1	Hollow screw 1/8 inch
18	937 110 201	1	Including sealing edge ring and copper ring
19	931 111 238	1	Seal kit
20	931 061 012	1	Ferrule union

3 Accessories

3.1 Wheel Weights - C00122 R00 Data: 09.10.2009



No.	Art.	Num.	Designation
1	945 104 008	2	Wheel weight
2	905 112 000	4	Washer
3	905 012 000	4	Spring washer
4	901 012 060	4	Hexagon screw
5	902 812 040	4	Threaded sleeve

4 Others

4.1 Tire and wheel hub list – D00001 R01

Type	Wheel size	Tire tread	Item No.	Wheel hub	Wheel hub for parking brake Item No.	Wheel motor Item No.
K 820	4.00-8	Block	926 141 408	712 000 022	-	-
	4.00-8	Field studs	926 110 408	712 000 022	-	-
K 1500	4.00-8	Block	926 140 408	700 000 022	-	-
K 2000	4.00-8	Field studs	926 110 408	700 000 022	-	-
K 2100	16x6.50-8	Block	926 130 168	700 000 023	-	-
	16x6.50-8	Field studs	926 110 168	700 000 023	-	-
UBS Easy	4.00-8	Block	926 140 408	700 000 022	-	-
	4.00-8	Field studs	926 110 408	700 000 022	-	-
	16x6.50-8	Block	926 130 168	700 000 023	-	-
	16x6.50-8	Field studs	926 110 168	700 000 023	-	-
UBS Hydro	4.00-8	Block	926 140 408	767 410 006	767 000 141	935 102 315
	4.00-8	Field studs	926 110 408	767 410 006	767 000 141	935 102 315
	5.00-10	Field studs	926 110 510	767 410 006	767 000 141	935 102 315
	16x6.50-8	Block	926 130 168	767 187 006	767 000 142	935 102 315
	16x6.50-8	Field studs	926 110 168	767 187 006	767 000 142	935 102 315
	18x7.00-8	Field studs	926 110 187	767 187 006	767 000 142	935 102 315
UBS Master	18x9.50-8	Field studs	926 110 188	-	767 000 129	935 103 400
	21x11.00-8	Field studs	926 111 108	-	767 000 129	935 103 400
UBS Alpin	18x9.50-8	Field studs	926 110 188	-	C00976	935 101 400
	21x11.00-8	Field studs	926 111 108	-	C00976	935 101 400
Rough cutter	4.00-10	Field studs	926 110 410	767 410 006	767 000 141	935 102 315
	5.00-10	Field studs	926 110 510	767 410 006	767 000 141	935 102 315
	18x9.50-8	Field studs	926 110 188	767 189 006	767 000 129	935 103 400
	21x11.00-8	Field studs	926 111 108	767 189 006	767 000 129	935 103 400
Verti Cutter	4.00-10	Field studs	926 110 410	767 410 006	-	-
	18x7.00-8	Field studs	726 110 187	767 187 006	-	-
Safety Cutter	18x9.50-8	Field studs	926 110 188	767 189 006	767 000 129	935 103 400
	21x11.00-8	Field studs	926 111 108	767 189 006	767 000 129	935 103 400
Tiller	16x6.50-8	Field studs	926 110 168	760 000 024	-	-
Vento	4.00-8	Block	926 140 484	700 000 022	-	-
	4.00-8	Field studs	926 130 408	700 000 022	-	-
	16x6.50-8	Block	926 130 168	700 000 023	-	-
Vela	16x6.50-8	Block	926 130 168	700 000 023	-	-

Kersten

SITE MAINTENANCE EQUIPMENT

Distributed in UK by
Kersten (UK) Ltd Tel. 0118 986 9253

Progress House
39 Boulton Road Reading, RG2 0NH
www.kerstenuk.com - info@kerstenuk.com