



Spare parts lists
Hydrostatic Two Wheel
K1500
Modell G



Order number: E00004

From machine No.: 53261 Rev.: R07

Date: 24.02.2016



Manufactured by Kersten
Arealmaschinen GmbH
Empeler Straße 95
D - 46459 Rees
www.kersten-maschinen.de



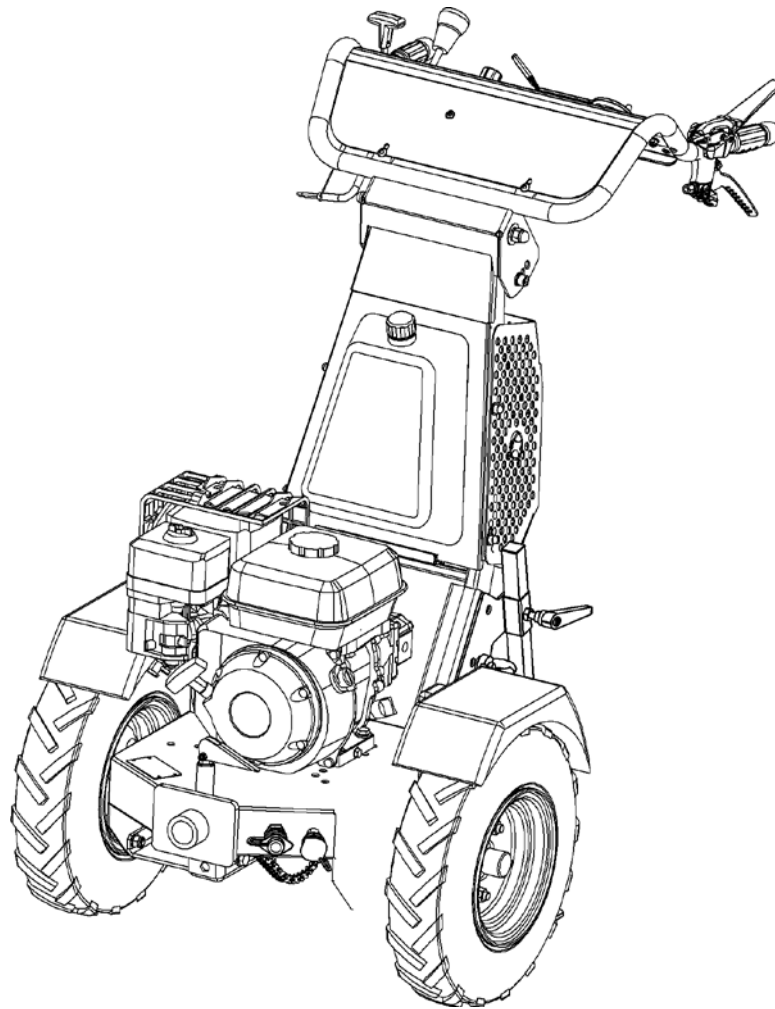
Distributed in UK by
Kersten (UK) Ltd Tel. **0118 986 9253**
Progrees House
39 Boulton Road Reading, RG2 0NH
www.kerstenuk.com - info@kerstenuk.com

Table of Contents

Contents

1	Model Overview	1
1.1	K 1500 G -C01251 R05.....	1
2	Module Overview	2
2.1	K 1500 G - Z ASSEMBLY - C00008 R00.....	2
2.2	GCIRCULAR HOUSING KDM 35 - C00011 R01.....	3
2.3	FAHRANTRIEB KDM 35 - C00164 R00	4
2.4	DIFFERENTIAL AXIS WITH M ITTENANTRIEB - C00007 R00.....	5
2.5	FLEADERSHIP HOLM & T ANK - C00176 R00	6
2.6	HYDRAULIKSTEUERUNG WITHOUT R EGELVENTIL - C01250 R01	7
2.7	APOST SUPPORT - C00880 R00	8
2.8	E-START FOR K SERIES - C04777 R00 9	9
2.9	CONTROL PANEL - C00819 R02 10	10
2.10	HYDRAULIC SCHEME WITHOUT BRAKE VALVE - C00177 R01 12.....	12
2.11	11 HYDRAULIC SCHEMES WITH VALVE BRAKE VALVE - C02671 R02 14	14
2.12	12 HONDA GX200 WITH GEAR PUMP - C00159 R00 16.....	16
3	Equipment	17
3.1	PARKING BRAKE - C00018 R00 17	17
3.2	WHEEL WEIGHTS - C00122 R00 18	18
3.3	REGULAR CARTRIDGE - C02242 R00 18	18
3.4	VALVE BRAKING VALVE WITH BYPASS VALVE - C01018 R00	19
4	Others	20
4.1	TIRE AND WHEEL HUB LIST - D00001 R02	20

1 Model Overview

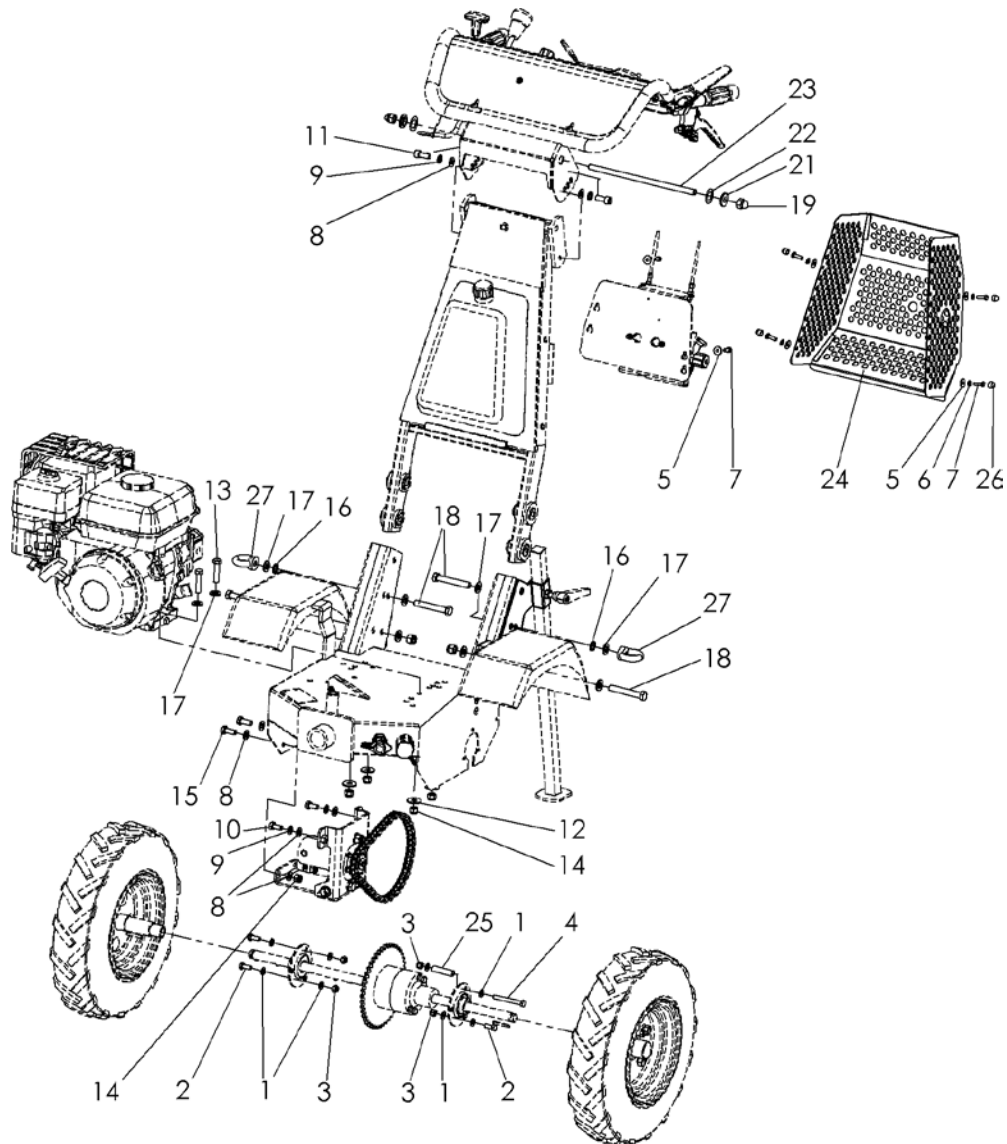


1.1 K 1500 G - C01251 R05

No.	Art.-Nr.	Anz.	Benennung
1	C00008 R00	1	K 1500 assembly
2	C00011 R02	1	Basic housing KDL 35
3	C00164 R00	1	Fahrtrieb KDM 35
4	C00007 R00	1	Differentialachse mit Mittenantrieb KDM 35/70
5	C00176 R00	1	Short guide rail, steamed, small tank, simple filter screw connection
6	C01250 R02	1	Hydraulic control for drive & PTO without control valve
7	C00819 R02	1	Control console, diverter valve and single lever
8	C00880 R00	1	Parking support
9	C00177 R01	1	Hydraulic diagram K 1500 without lowering brake valve
10	C00159 R00	1	Honda engine GX200 with small gear pump

2 Module Overview

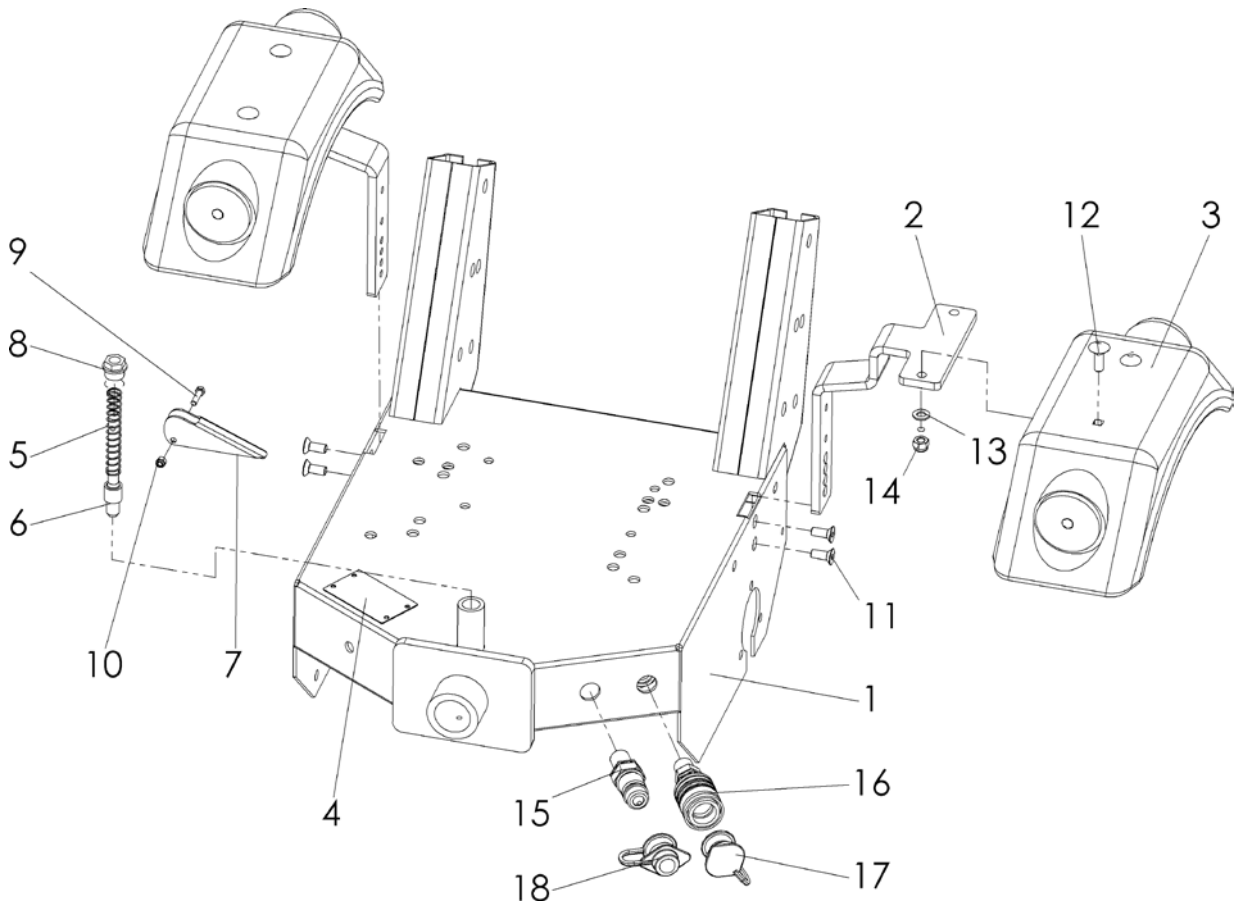
2.1 K 1500 G – Assembly - C00008 R00



No.	Art.- No.	Num.	Designation
1	905 108 000	12	Washer
2	901 008 020	5	Hexagon screw
3	900 008 002	6	Stoppmutter
4	901 008 070	1	Hexagon screw
5	905 206 018	7	K-disc
6	905 006 000	4	spring washer
7	901 006 020	7	Hexagon screw
8	905 110 000	8	Washer
9	905 010 000	4	spring washer
10	901 010 020	2	Hexagon screw
11	901 810 025	2	Cyl.-screw with inner.-Skt.
12	905 210 000	4	K-disc
13	901 010 045	4	Hexagon screw

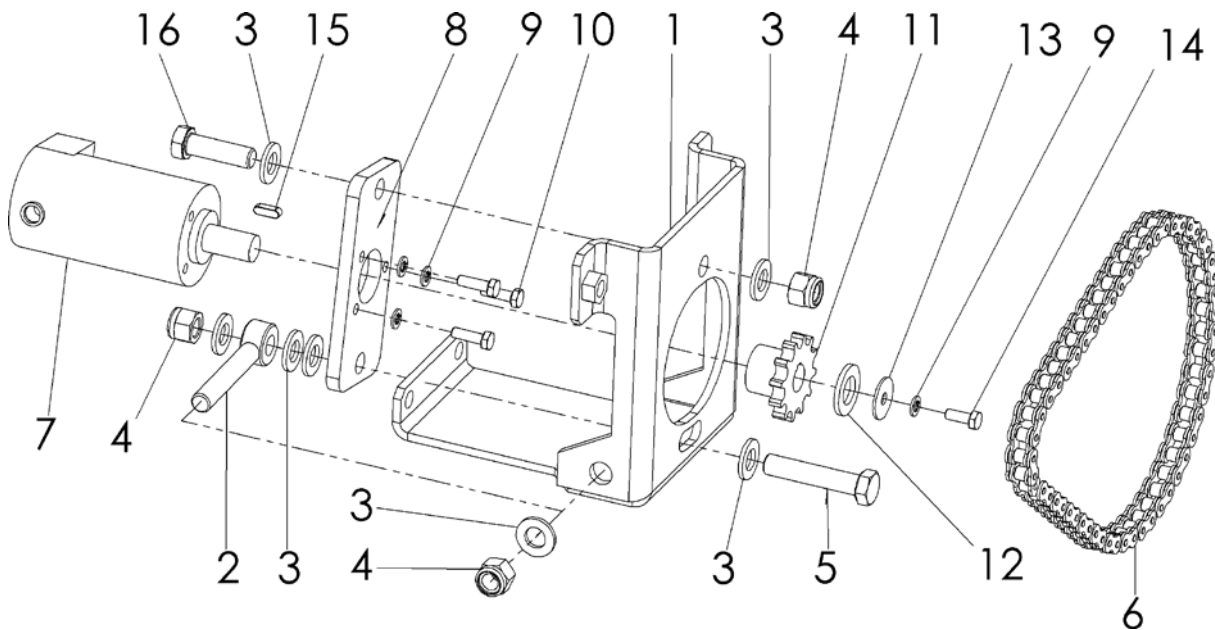
No.	Art.-No.	Num.	Designation
14	900 010 002	6	Stopmutter
15	901 010 025	2	Hexagon screw
16	905 012 000	2	spring washer
17	905 112 000	12	AND Disc
18	901 012 080	4	Hexagon screw
19	900 012 003	2	Hutmutter
20	900 012 002	2	Stoppmutter
21	767 000 121VZ	2	Rifle
22	905 320 010	2	shim
23	767 000 124	1	threaded rod
24	C00308	1	Hood
25	700 500 061	1	pipe
26	943 559 006	4	cap
27	900 012 017	2	ring nut

2.2 Basic housing KDM 35 - C00011 R02



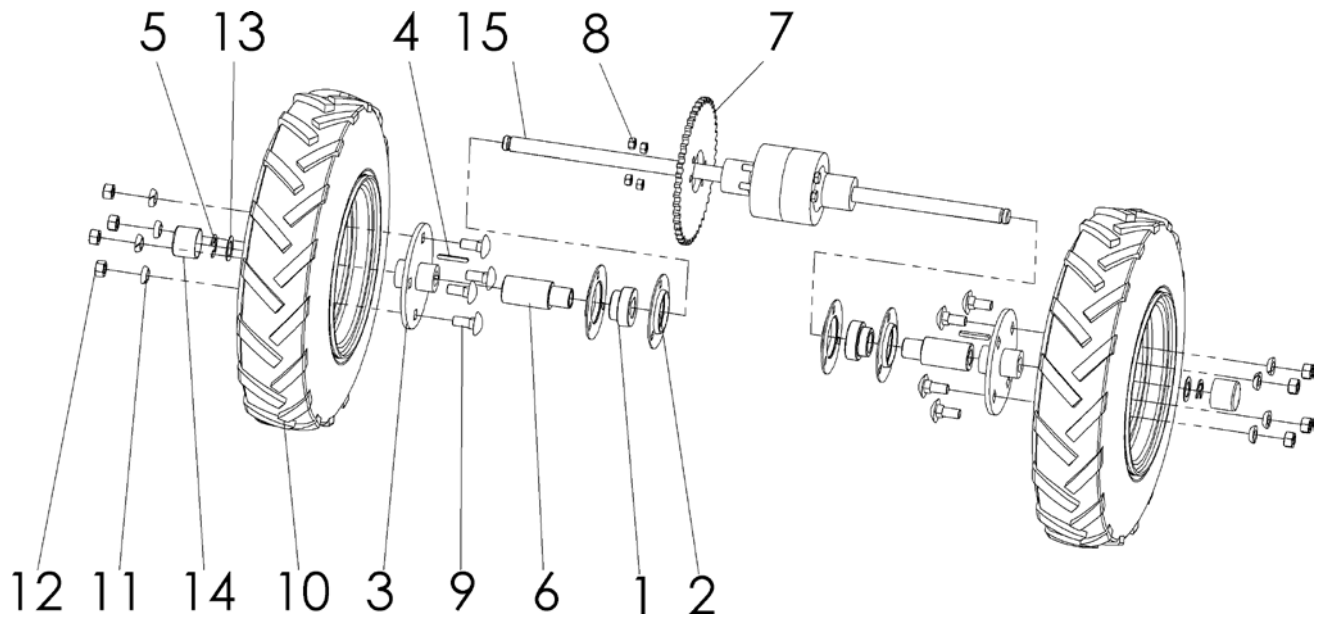
Nr.	Art.-Nr.	Anz.	Benennung
1	C04853	1	Basic housing KDM 35
2	C04443	2	Holder fender
3	926 900 002	2	fender
4	auf Anfrage	1	nameplate
5	909 100 189	1	compression spring
6	700 000 170	1	locking pin
7	700 000 172	1	safety lever
8	700 000 171	1	Screw
9	901 005 020	1	Skt.-screw without shank
10	900 005 002	1	Stoppmutter
11	901 208 020	4	Countersunk screw with inner socket.
12	901 908 025	4	carriage bolt
13	905 108 000	4	Washer
14	900 008 002	4	Stoppmutter
15	932 161 323	1	Schott plug
16	932 261 223	1	Schott sleeve
17	932 391 022	1	Hydraulic protective cap
18	932 391 032	1	Hydraulic protective cap

2.3 Travel drive KDM35 - C00164 R00



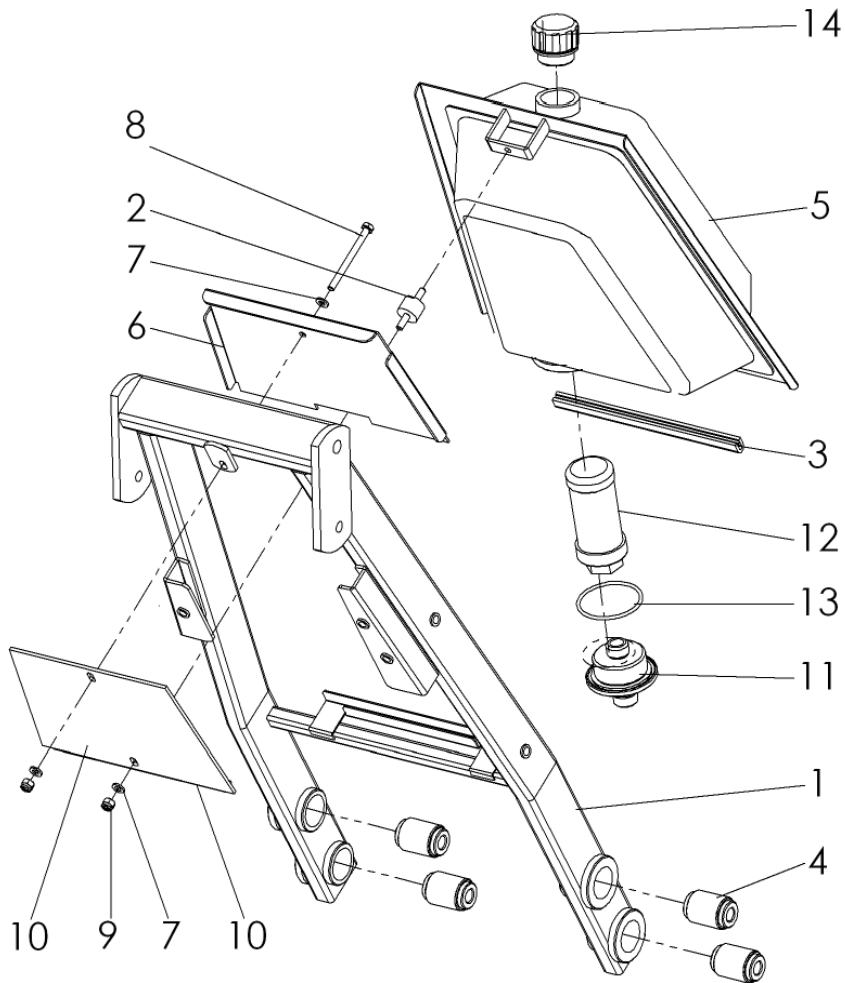
Nr.	Art.-Nr.	Anz.	Benennung
1	C00012	1	Attachment console hydraulic motor
2	903 012 100	1	Ayebolt
3	905 112 000	8	Washer
4	900 012 002	3	Stoppmutter
5	901 012 060	1	Hexagon screw
6	920 101 648	1	Drive chain
7	935 111 040	1	Hydraulic motor
8	C00163	1	Motorhalter
9	905 006 000	4	spring washer
10	901 006 020	3	Hexagon screw
11	920 401 012	1	Sprocket Z12
12	905 116 000	1	Washer
13	905 206 025	1	K-disc
14	901 006 016	1	Hexagon screw
15	908 005 516	1	Adjusting spring
16	901 012 040	1	Hexagon screw

2.4 Differential axle with center - C00007 R00



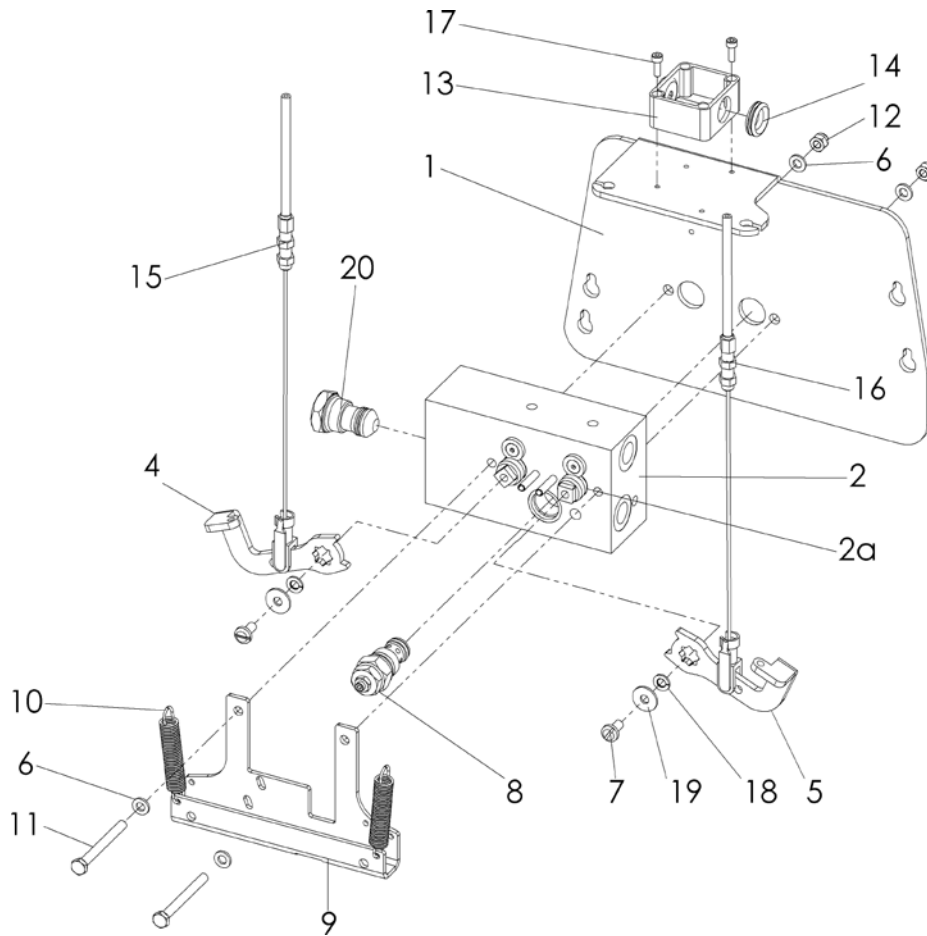
No.	Art. Num.	Num.	Designation
1	924 100 205	2	Ball bearing SB 205
2	924 200 205	4	Cups set
3	See list of tires	2	wheel hub
4	908 047 440	2	Key 4,76x4,76x40 mm
5	905 820 000	2	Bensingring
6	C00015	2	Bushing long
7	920 501 145	1	Sprocket wheel 45Z
8	900 008 016	4	Hexagon-inch nut
9	901 912 030	8	carriage bolt
10	See list of tires	2	Wheel-set
11	905 712 000	8	Liemesring
12	900 012 001	8	Hexagon nut
13	905 320 010	2	Shim 20x32x1
14	943 300 035	2	Protective cap wheel cap
15	922 001 003	1	differential axle

2.5 Guide rail & tank - C00176 R00

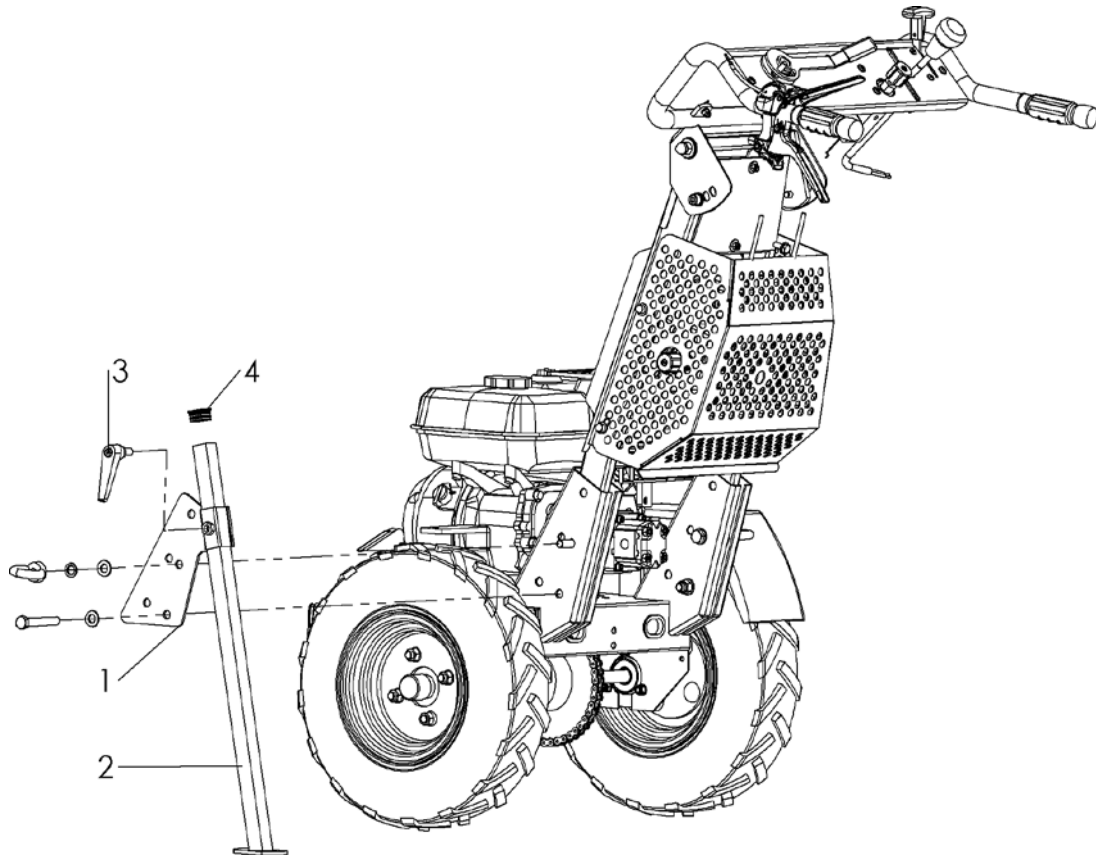


No.	Art.	Num.	Designation
1	C00081	1	Guide rail shortened - Model 2009
2	911 006 015	1	Rubber-metal buffer
3	767 000 147	1	Edge protection for tank
4	911 301 244	4	vibrator
5	771 000 010	1	small tank
6	771 000 011	1	Cover for small tank
7	905 106 000	3	Washer
8	901 006 060	1	Hexagon screw
9	900 006 002	2	Stop mutter
10	C00161	1	Cover for upper tank attachment
11	110 000 135	1	Filter carrier in the tank
12	937 200 010	1	filter element
13	937 158 003	1	O-ring
14	931 200 042	1	bleed screw

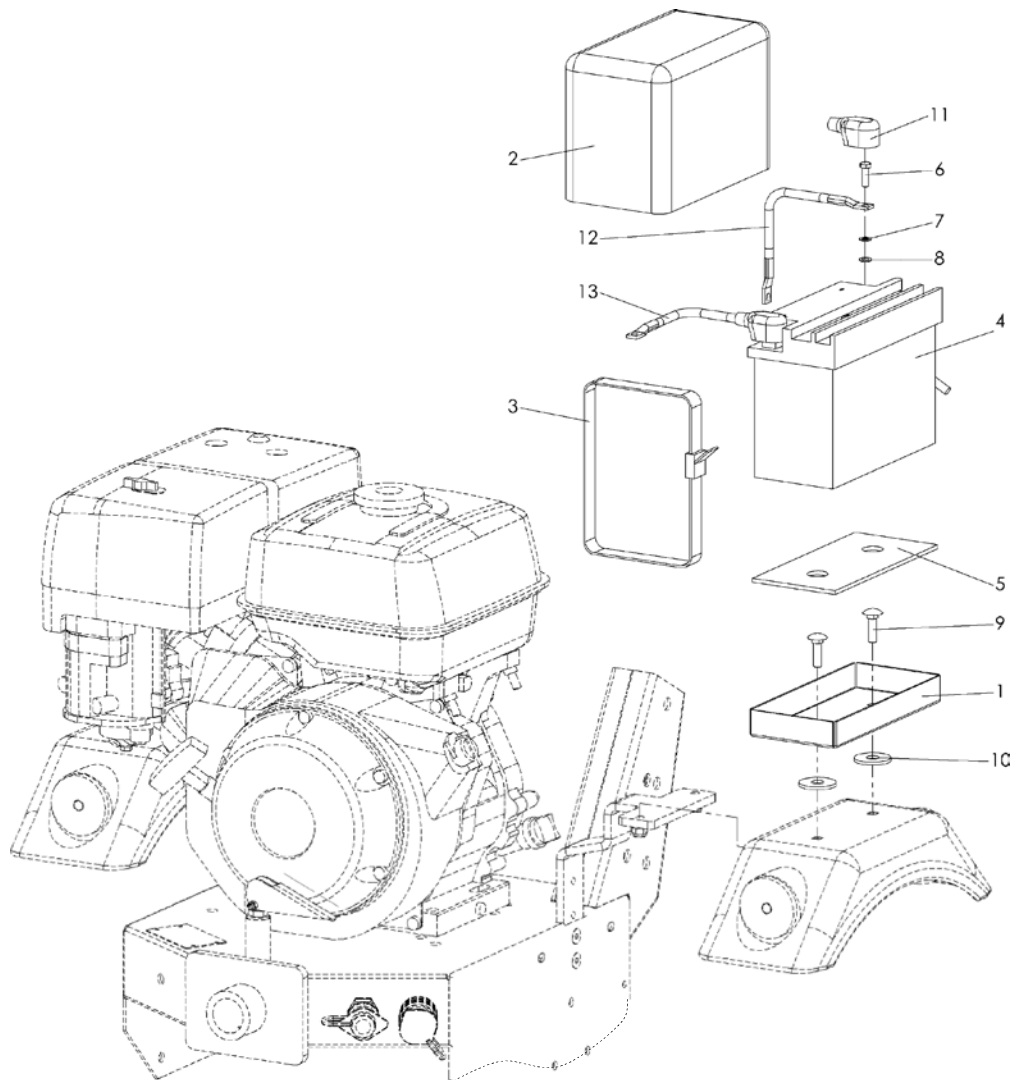
2.6 Hydraulic control without control valve - C01250 R02



No.	Art.	Num.	Designation
1	700 500 051	1	Anbauplatte
2	769 000 020	1	Driving & PTO valve with control cartridge complete
2a	937 125 031	2	Seal kit for pistons
4	769 300 010	1	Swingarm left for pistons
5	769 300 020	1	Rocker right for pistons
6	905 106 000	4	Washer
7	903 920 612	2	Flat head screw with slot
8	936 500 534	1	Pressure relief valve
9	C00022	1	Valve carrier with simple electric switch
10	909 200 124	2	mainspring
11	901 006 060	2	Skt. Screw with shank
12	900 006 002	2	Stoppmutter
13	767 000 123	1	wiring box
14	908 706 667	2	cabl e grommet
15	s. operator	1	Bowden cable for PTO
16	s. operator	1	Bowden cable for travel drive
17	901 804 012	2	Cylinder head screw m. Allen
18	905 006 000	2	spring washer
19	905 206 025	2	K-disc
20	936 209 203	1	blind plug

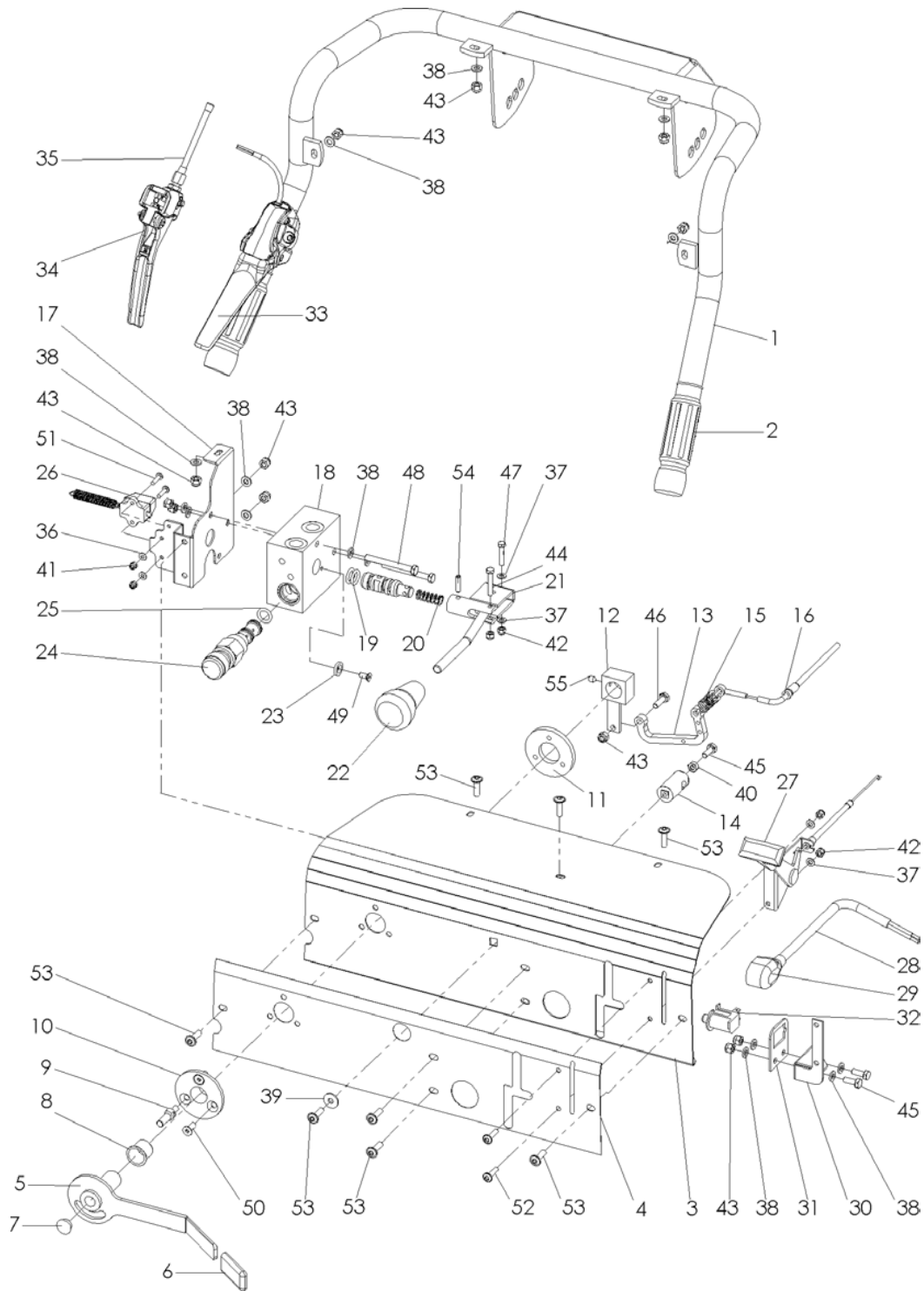
2.7 Jack stand – C00880 R00

No.	Art.	Num.	Designation
1	C00881	1	Holder parking support
2	700 100 155	1	parking support
3	941 200 106	1	clamping lever
4	943 125 252	1	protective cap

2.8 E-Start for K- Series - C04777 R00


No.	Art.	Num.	Designation
1	C04722	1	Battery box
2	960 031 001	1	Battery cover
3	960 031 000	1	Battery tape
4	960 011 220	1	Battery 12V 20 Ah
5	700 000 305	1	Battery edition
6	901 006 020	2	Skt.-screw without shank
7	905 006 000	2	Spring washer
8	900 106 000	2	Washer
9	901 908 025	2	Carriage bolt
10	905 212 001	2	K-disc
11	960 041 000	2	Polar cap
12	960 021 470	1	Battery cable (-)
13	960 021 350	1	Battery cable (+)

2.9 Control panel - C00819 R02



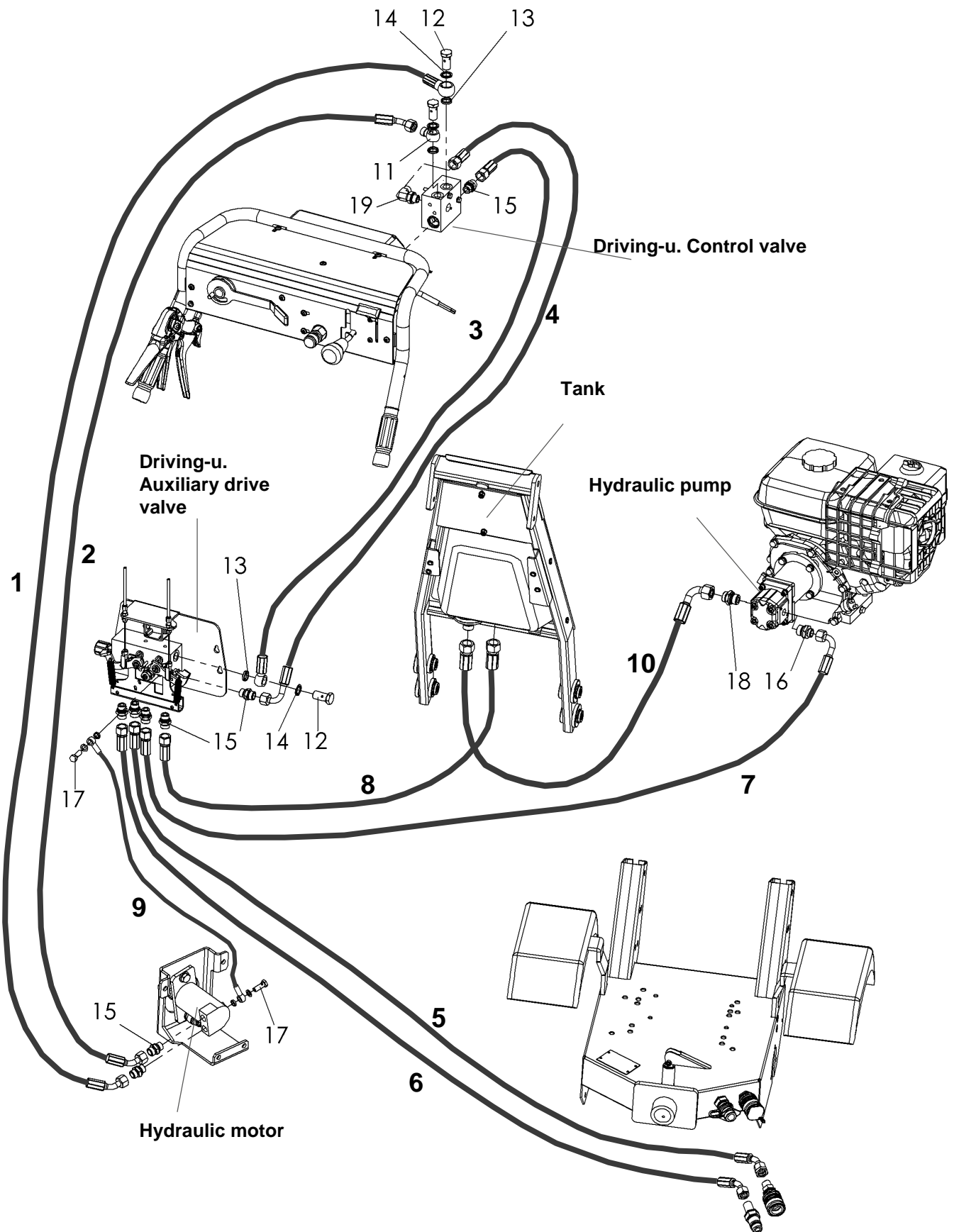
Spare part list

No.	Art.	Num.	Designation
1	C00042	1	Hand Holm
2	941 908 015	2	Handle
3	C02318	1	Operator
4	950 900 019	1	Control panel overlay
5	C00049	1	PTO lever
6	941 900 050	1	Diving cap
7	943 700 014	1	Blind plug
8	915 021 020	1	Bearings
9	C00057	1	Stop bolts for PTO lever
10	767 000 004	1	Rosette
11	C00058	1	Screw plate for rosette
12	C00053	1	Swivel arm for easy PTO lever
13	C00054	1	Umlenkhebel
14	C02315	1	Bowden cable
15	909 100 162	1	Mainspring
16	941 200 400	1	Bowden cable PTO
17	C00044	1	Valve holder for diverter valve
18	C00754	1	Driving with control valve
19	937 125 031	1	Seal kit for pistons
20	909 100 192	1	Compression spring
21	C00045	1	Driving lever & driving lever joint
22	941 264 510	1	Mushroom handle, long
23	936 401 001	1	Handguard
24	936 202 076	1	Control cartridge
25	936 202 077	1	Seal kit for control cartridge
26	941 102 766	1	Brake light switch compl.
27	941 920 133	1	Gas lever LGS long
28	C00162	1	Cable 2-wire
29	960 041 000	1	Polar cap
30	C00056	1	Intermediate plate for safety switch
31	767 000 143	1	Switch maintenance sheet
32	941 903 000	1	Start safety switch
33	941 801 001	1	Dead man's lever with clamp
34	941 750 702	1	Lever without catch
35	941 750 703	1	Bowden
36	905 104 000	2	Washer
37	905 105 000	4	Washer
38	905 106 000	15	Washer
39	905 206 018	1	K-disc
40	900 006 001	1	Hexagon nut
41	900 004 002	2	Stoppmutter
42	900 005 002	4	Stoppmutter
43	900 006 002	12	Stoppmutter
44	901 005 030	1	Skt.-screw without shank
45	901 006 016	3	Skt.-screw without shank
46	901 006 020	1	Skt.-screw without shank
47	901 105 025	1	Skt. Screw with shank
48	901 006 060	2	Skt. Screw with shank
49	901 205 012	1	Countersunk screw with inner Skt.
50	901 206 016	2	Countersunk screw with inner Skt.
51	903 604 016	2	Phillips screw with Phillips

Spare part list

52	903 905 020	2	Linsenkopfschraube with inner -Skt.
53	903 906 020	8	Linsenkopfschraube with inner Skt.
54	907 350 020	1	dowel pin
55	902 306 008	1	grub screw

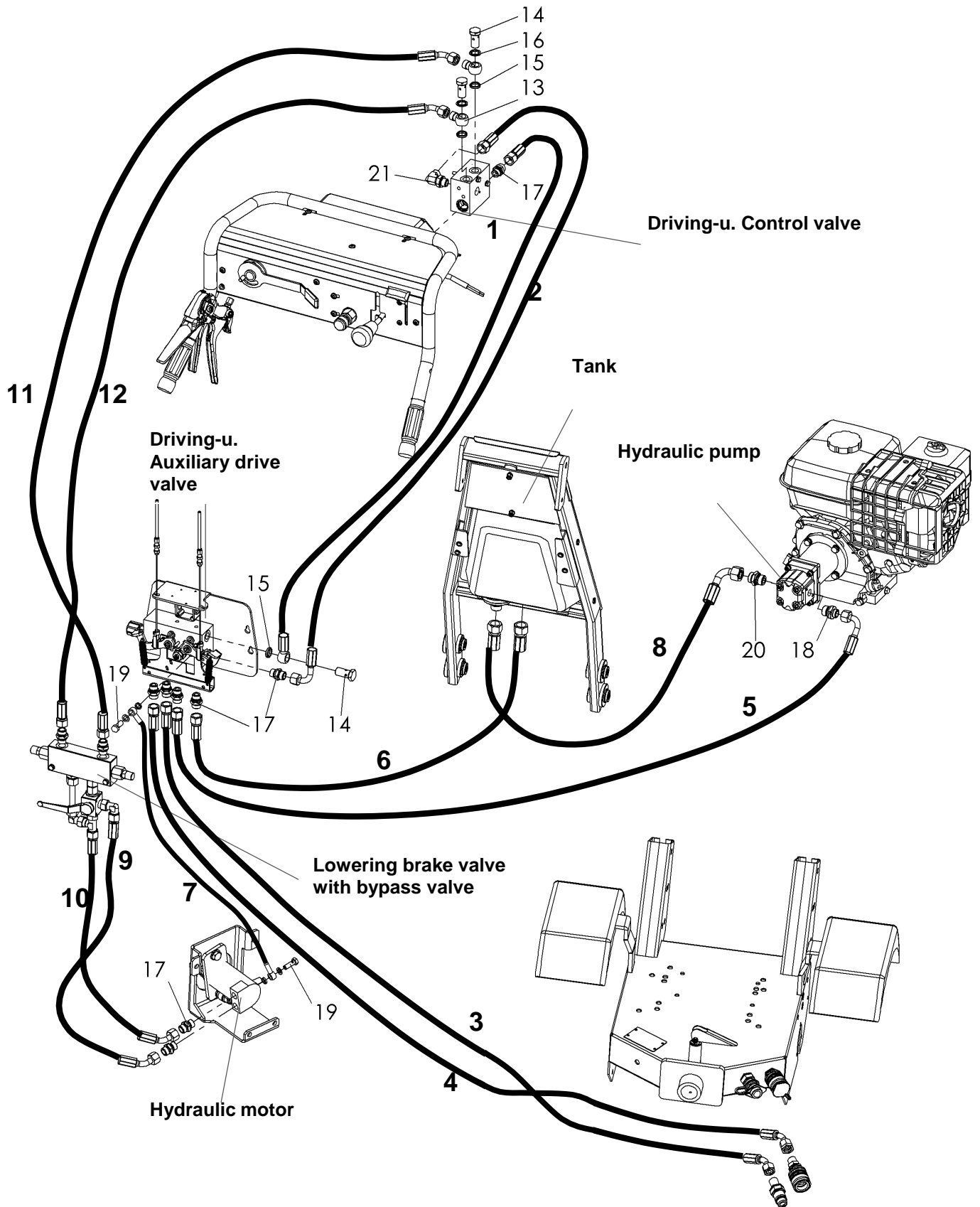
2.10 Hydraulic diagram without lowering brake valve - C00177 R01



Parts list - C00177 R01

No.	Art.	Num.	Designation
Hose set pos.1-10 / 930 763 999			
1	930 763 001	1	Hydraulic hose
2	930 763 002	1	Hydraulic hose
3	930 700 004	1	Hydraulic hose
4	930 700 003	1	Hydraulic hose
5	930 764 003	1	Hydraulic hose
6	930 764 004	1	Hydraulic hose
7	930 700 010	1	Hydraulic hose
8	930 764 006	1	Hydraulic hose
9	930 764 005	1	Leakage oil pipe 8L
10	930 764 007	1	Hydraulic hose
11	931 111 238	2	Ferrule union
12	931 261 038	3	Hohlschraube
13	937 101 038	3	Edge sealing ring
14	937 117 015	3	Seal
15	931 071 238	9	Hydraulic connection
16	931 071 212	1	Hydraulic connection
17	931 261 118	2	Banjo bolt 1/8 inch
18	931 071 512	1	Including sealing edge ring and copper ring
19	931 061 012	1	Hydraulic connection

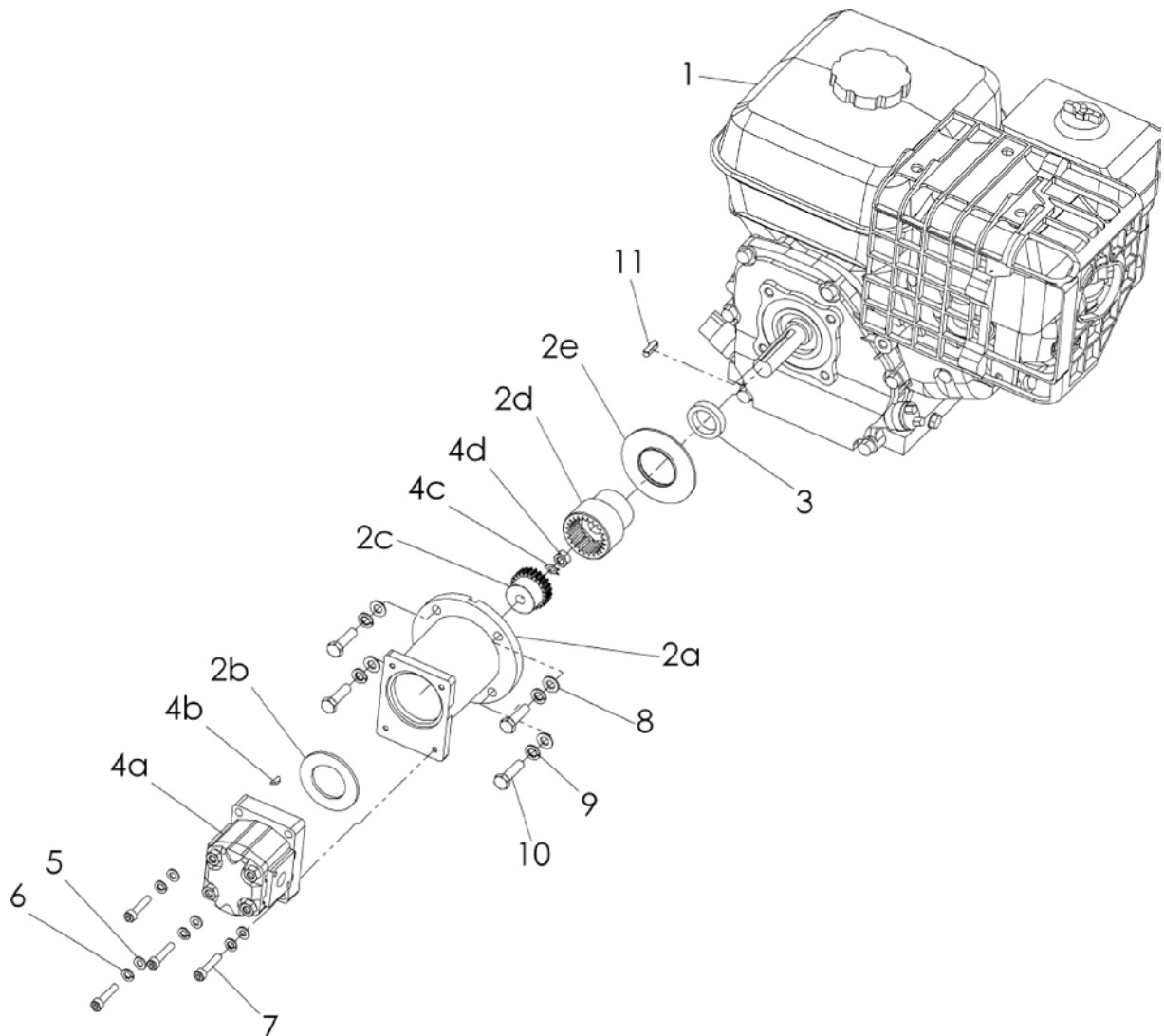
2.11 Hydraulic diagram with lowering brake valve - C02671 R02



Parts list - C02671 R02

No.	Art.	Num.	Designation
	930 763 998		Hose set Pos.1 – Pos.12
1	930 700 004	1	Hydraulic hose
2	930 764 008	1	Hydraulic hose
3	930 764 003	1	Hydraulic hose
4	930 764 004	1	Hydraulic hose
5	930 700 010	1	Hydraulic hose
6	930 764 006	1	Hydraulic hose
7	930 763 003	1	Drain line
8	930 764 007	1	Hydraulic hose
9	930 763 004	1	Hydraulic hose
10	930 763 005	1	Hydraulic hose
11	930 763 006	1	Hydraulic hose
12	930 763 007	1	Hydraulic hose
13	931 111 238	2	Ferrule union
14	931 261 038	3	Hohlschraube
15	937 101 038	3	Edge sealing ring
16	937 117 015	3	Seal
17	931 071 238	10	Hydraulikverschraubung
18	931 071 212	1	Hydraulikverschraubung
19	931 261 118	2	Banjo bolt 1/8 inch
20	931 071 512	1	Including sealing edge ring and copper ring
21	931 061 012	1	Hydraulikverschraubung

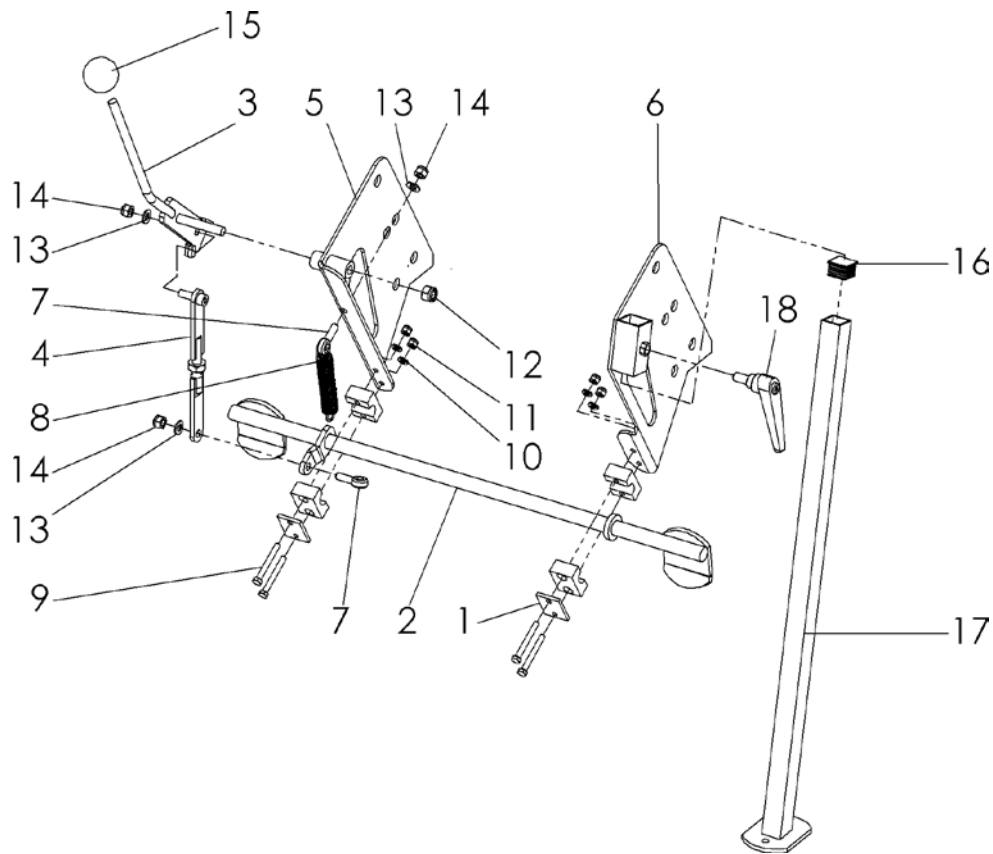
2.12 Honda GX200 with gear pump - C00159 R00



No.	Art.	Num.	Designation
1a	920 000 012	1	Honda engine 6.5hp without electric start
1b	920 000 013	1	Honda engine 6.5hp with electric start
2a-2e	934 301 762	1	Pump carrier, compl.
2d	925 101 024	1	Coupling sleeve Z 24
3	705 357 526	1	Crankshaft bushing
4a-d	934 100 029	1	Hydraulic pump, compl.
4b	908 110 037	1	Key for pump 12,4x5
5	905 106 000	4	Washer
6	905 006 000	4	Spring washer
7	901 806 030	4	Cyl.-screw with inner-Skt.
8	905 108 000	4	Washer
9	905 008 000	4	Spring washer
10	902 751 624	4	Inch screw 5 / 16-24x1
11	908 047 420	1	Adjusting spring

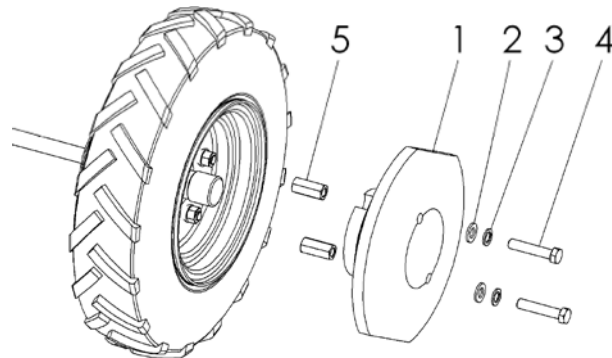
3 Accessories

3.1 Parking brake - C00018 R00



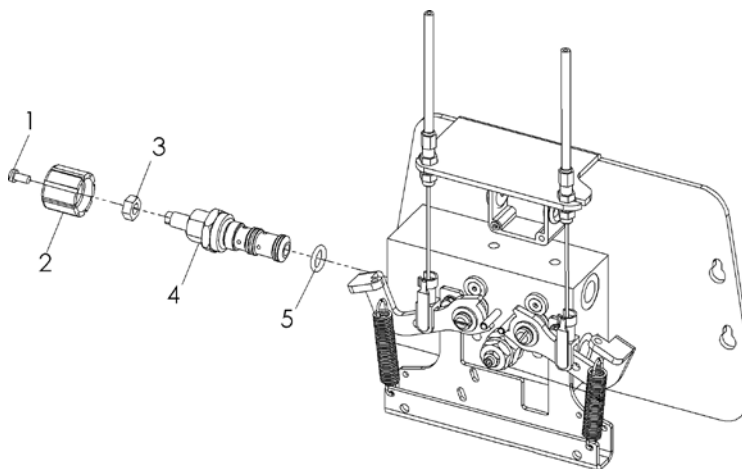
No.	Art.	Num.	Designation
1	908 612 018	2	Pipe clamp compl. 18mm
2	700 005 003	1	Brake linkage
3	700 005 004	1	Brake lever
4	700 005 005	1	Lever arm
5	C00016	1	Brake rod holder left
6	C00017	1	Brake rod holder right
7	903 108 030	2	Eyebolt
8	909 200 021	1	Mainspring
9	901 006 050	4	Hexagon screw
10	905 106 000	4	Washer
11	900 006 002	4	Stoppmutter
12	900 010 002	1	Stoppmutter
13	905 108 000	3	Washer
14	900 008 002	3	Stoppmutter
15	941 220 010	1	Kugelknopf
16	943 125 252	1	Protective cap
17	700 100 155	1	Parking support
18	941 200 106	1	Clamping lever

3.2 Radewed - C00122 R00



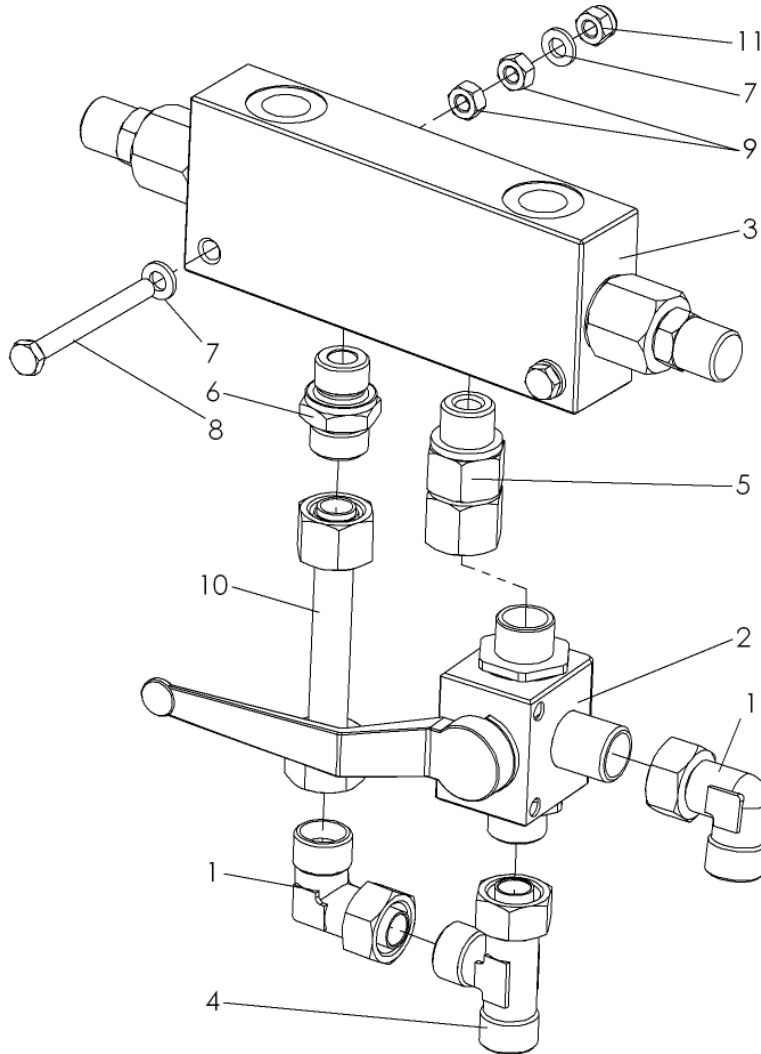
No.	Art.	Num.	Designation
1	945 104 008	2	Wheel weight
2	905 112 000	4	Washer
3	905 012 000	4	Spring washer
4	901 012 060	4	Hexagon screw
5	902 812 040	4	Threaded sleeve

3.3 Rule Cartridge - C02242 R00



No.	Art.	Num.	Designation
1	901 705 010	1	Cheese head screw
2	941 400 015	1	Knob / blue
3	900 005 001	1	Hexagon nut
4	936 202 075	1	Control cartridge
5	937 300 075	1	Seal kit for control cartridge

3.4 Lowering brake valve with bypass valve - C01018 R00



No.	Art.	Num.	Designation
1	931 061 200	2	Hydraulic connection
2	931 141 218	1	Stopcock
3	936 612 563	1	Lowering valve
4	931 041 200	1	Hydraulic connection
5	931 031 238	1	Hydraulic connection
6	931 071 238	1	Hydraulic connection
7	905 106 000	4	Washer
8	901 006 060	1	Skt.- screw
9	900 006 001	4	Hexagon nut
10	C00261	1	Hydraulic line
11	900 006 002	2	Stoppmutter
12	901 006 060	1	Skt.- screw

4 Others

4.1 Tire and wheel hub list – D00001 R02

Type	Wheel size	Tire tread	Item tread	Wheel hub Art.	Item No.	Wheel Motor Art.
K 820	4.00-8	Block	926 141 408	712 000 022	-	-
	4.00-8	Ackerstollen	926 110 408	712 000 022	-	-
K 1500	4.00-8	Block	926 140 408	700 000 022	-	-
K 2000	4.00-8	Ackerstollen	926 110 408	700 000 022	-	-
K 2100	16x6.50-8	Block	926 130 168	700 000 023	-	-
	16x6.50-8	Ackerstollen	926 110 168	700 000 023	-	-
UBS Easy	4.00-8	Block	926 140 408	700 000 022	-	-
	4.00-8	Ackerstollen	926 110 408	700 000 022	-	-
	16x6.50-8	Block	926 130 168	700 000 023	-	-
	16x6.50-8	Ackerstollen	926 110 168	700 000 023	-	-
UBS Hydro	4.00-8	Block	926 140 408	767 410 006	767 000 141	935 102 315
	4.00-8	Ackerstollen	926 110 408	767 410 006	767 000 141	935 102 315
	5.00-10	Ackerstollen	926 110 510	767 410 006	767 000 141	935 102 315
	16x6.50-8	Block	926 130 168	767 187 006	767 000 142	935 102 315
	16x6.50-8	Ackerstollen	926 110 168	767 187 006	767 000 142	935 102 315
	18x7.00-8	Ackerstollen	926 110 187	767 187 006	767 000 142	935 102 315
UBS Master	18x9.50-8	Ackerstollen	926 110 188	-	C00976	935 101 400
	21x11.00-8	Ackerstollen	926 111 108	-	C00976	935 101 400
UBS Alpin	18x9.50-8	Ackerstollen	926 110 188	-	C00976	935 101 400
	21x11.00-8	Ackerstollen	926 111 108	-	C00976	935 101 400
RoughCutter	4.00-10	Ackerstollen	926 110 410	767 410 006	767 000 141	935 102 315
	5.00-10	Ackerstollen	926 110 510	767 410 006	767 000 141	935 102 315
	18x9.50-8	Ackerstollen	926 110 188	767 189 006	767 000 129	935 103 400
	21x11.00-8	Ackerstollen	926 111 108	767 189 006	767 000 129	935 103 400
VertiCutter	4.00-10	Ackerstollen	926 110 410	767 410 006	-	-
	18x7.00-8	Ackerstollen	726 110 187	767 187 006	-	-
SafetyCutter	18x9.50-8	Ackerstollen	926 110 188	767 189 006	767 000 129	935 103 400
	21x11.00-8	Ackerstollen	926 111 108	767 189 006	767 000 129	935 103 400
Bodenfräse	16x6.50-8	Ackerstollen	926 110 168	760 000 024	-	-
Vento	4.00-8	Block	926 140 484	700 000 022	-	-
	4.00-8	Ackerstollen	926 130 408	700 000 022	-	-
	16x6.50-8	Block	926 130 168	700 000 023	-	-
Vela	16x6.50-8	Block	926 130 168	700 000 023	-	-

Kersten

SITE MAINTENANCE EQUIPMENT

Distributed in UK by
Kersten (UK) Ltd Tel. 0118 986 9253

Progress House
39 Boulton Road Reading, RG2 0NH
www.kerstenuk.com - info@kerstenuk.com