



Spare parts lists Hydrostatic Two Wheel Tractor

K 2100

Model G



Order number: E00005 From machine no.:53261 Rev.: R03 Date: 02.12.2015



Manufactured by Kersten
Arealmaschinen GmbH
Empeler Straße 95
D - 46459 Rees
www.kersten-maschinen.de



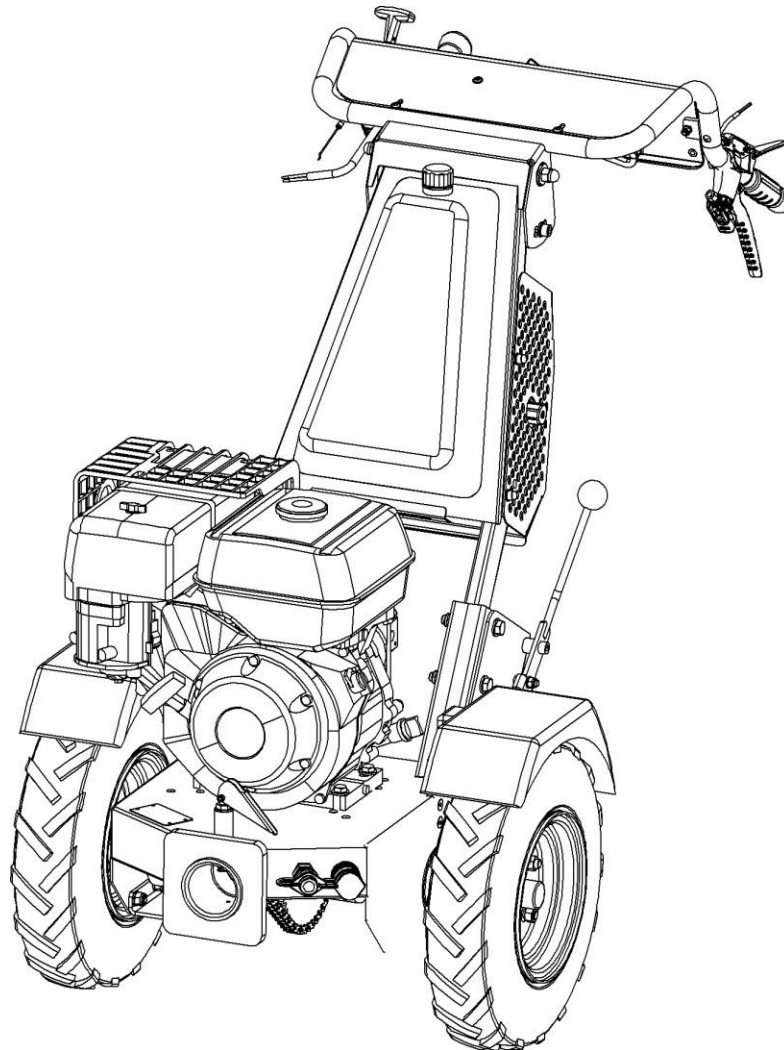
Distributed in UK by
Kersten (UK) Ltd Tel. 0118 986 9253
Progrees House
39 Boulton Road Reading, RG2 0NH
www.kerstenuk.com - info@kerstenuk.com

Table of Contents

1	MODEL OVERVIEW	1
1.1	K 2100 G - C00866 R02.....	1
2	ASSEMBLY OVERVIEW.....	2
2.1	K 2100 ASSEMBLY - C00008 R00.....	2
2.2	BASE CASE KDM 70 - C00006 R01	3
2.3	DRIVING DRIVE KDM 70 - C00004 R00.....	4
2.4	DIFFERENTIAL AXLE WITH CENTER DRIVE - C00007 R00.....	5
2.5	GUIDEHOLM AND TANK - C00110 R00.....	6
2.6	CONTROL WITH HYDRAULIC CONTROL - C00003 R00	7
2.7	REMOTE SUPPORT - C00880 R00 8.....	8
2.8	E-START FOR K SERIES - C04777 R00 9	9
2.9	CONTROL PANEL - C00819 R02 10	10
2.10	2.10 HYDRAULIC SCHEME WITHOUT VALVE BRAKE VALVE - C00794 R01 12.....	12
2.11	HYDRAULIC SCHEME WITH VALVE BRAKE VALVE - C01084 R01 14.....	14
2.12	HONDA GX270 WITH GEAR PUMP WITHOUT E-START - C00396 R00	16
3	ACCESSORIES.....	17
3.1	PARKING BRAKE - C00018 R00 17	17
3.2	WHEEL WEIGHTS - C00122 R00 18	18
3.1	BRAKE VALVE WITH BYPASS VALVE - C01079 R00.....	19
4	OSTHERS	20
4.1	TIRE AND WHEEL HUB LIST - D00001 R02.....	20

Spare part list

1 Model Overview



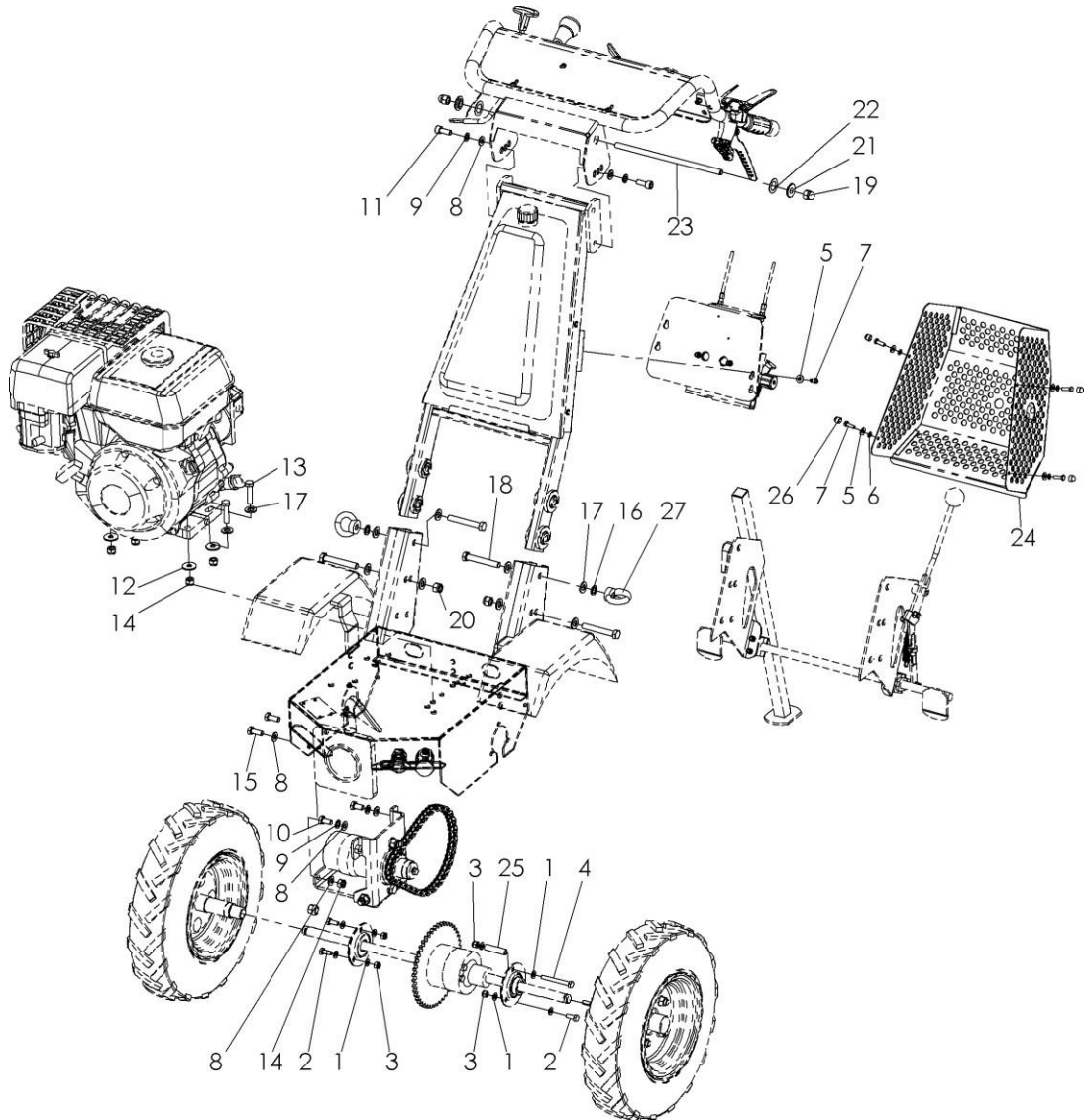
1.1 K 2100 G - C00866 R02

No.	Art.-Nr.	Anz.	Designation
1	C00008 R00	1	K 1500 assembly
2	C00006 R00	1	Basic housing KDM 70
3	C00004 R00	1	Travel drive KDM 70
4	C00007 R00	1	Differential axle with center drive KDM 35/70
5	C00110 R00	1	Short guide rail, damped, large tank, simple filter screw connection
6	C00003 R00	1	Hydraulic diagram K 2100 without lowering brake valve
7	C00819 R02	1	Control console, diverter valve and single lever
8	C00880 R00	1	Parking support
9	C00794 R01	1	Hydraulic diagram K 2100 without lowering brake valve
10	C00396 R00	1	Honda GX270 with hydraulic pump

Spare part list

2 Overview of Modules

2.1 K 2100 Assembly - C0008 R00

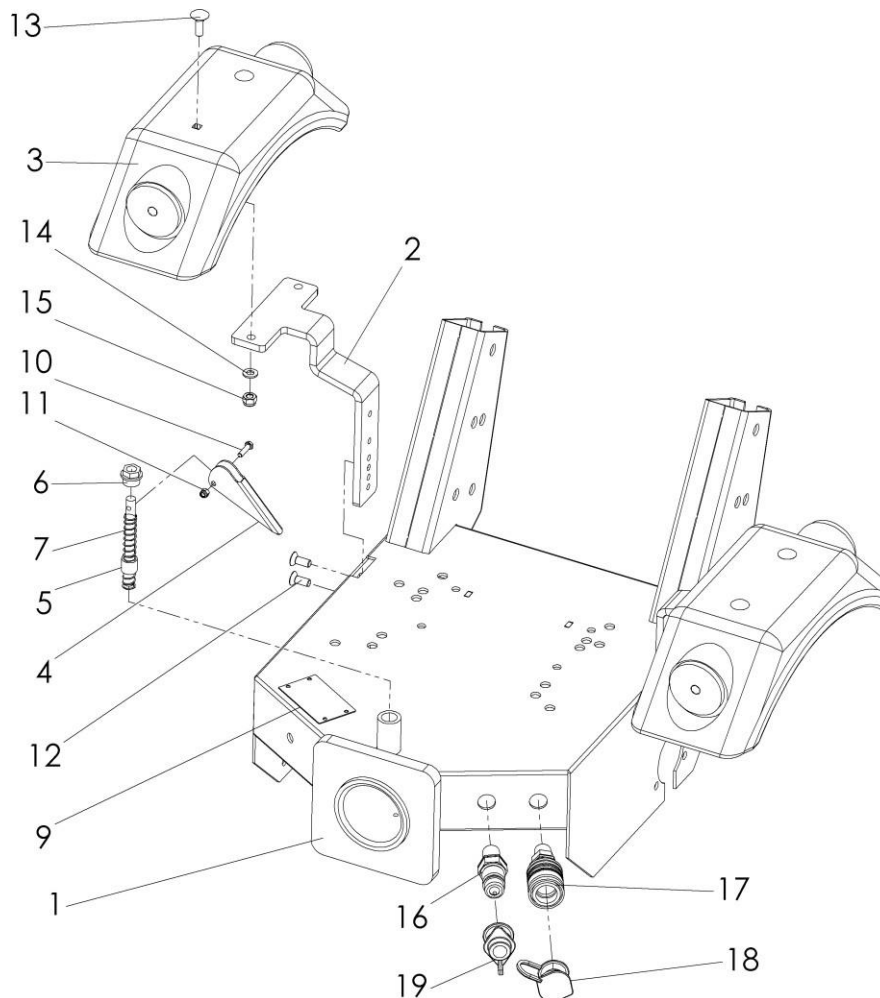


No.	Art.-No.	Number.	Designation
1	905 108 000	12	Washer
2	901 008 020	5	Hexagon screw
3	900 008 002	6	Stoppmutter
4	901 008 070	1	Hexagon screw
5	905 206 018	7	K-disc
6	905 006 000	4	spring washer
7	901 006 020	7	Hexagon screw
8	905 110 000	8	Washer
9	905 010 000	4	spring washer
10	901 010 020	2	Hexagon screw
11	901 810 025	2	Cyl.-screw with inner.-Skt.
12	905 210 000	4	K-disc
13	901 010 045	4	Hexagon screw

No.	Art.-No.	Number.	Designation
14	900 010 002	6	Stoppmutter
15	901 010 025	2	Hexagon screw
16	905 012 000	2	Spring washer
17	905 112 000	12	And Disc
18	901 012 080	4	Hexagon screw
19	900 012 003	2	Hutmutter
20	900 012 002	2	Stoppmutter
21	767 000 121VZ	2	Rifle
22	905 320 010	2	Shim
23	767 000 124	1	Threaded rod
24	C00308	1	Hood
25	700 500 061	1	pipe
26	943 559 006	4	cap
27	900 012 017	2	ring nut

Spare part list

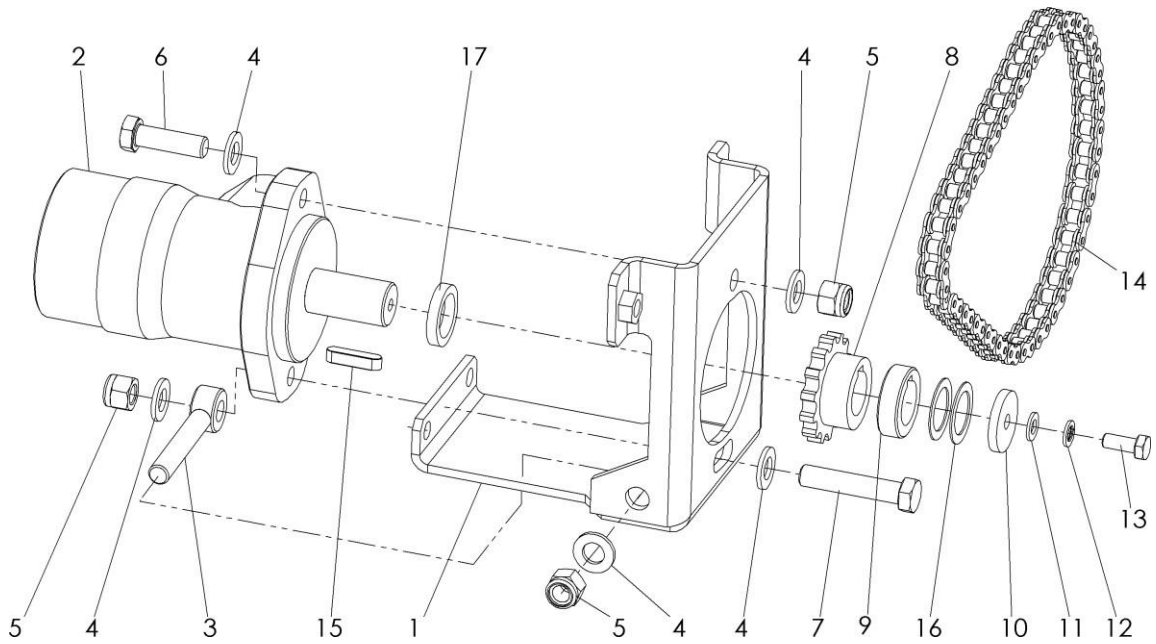
2.2 Basic housing KDM 70 - C00006 R01



No.	Art.-Num.	Num.	Designation
1	C04732	1	Basic housing K 2100 R01
2	C04443	2	Holder fender
3	926 900 002	2	Fender
4	700 000 172	1	Safety lever
5	700 000 170	1	Locking pin
6	700 000 171	1	Screw
7	909 100 189	1	Compression spring
8	910 006 000	1	Grease nipple
9	auf Anfrage	1	Nameplate
10	901 005 020	1	Skt.-screw without shank
11	900 005 002	1	Stoppmutter
12	901 208 020	4	Countersunk screw with inner socket.
13	901 908 025	4	Carriage bolt
14	905 108 000	4	Washer
15	900 008 002	4	Stoppmutter
16	932 161 323	1	Schott plug
17	932 261 223	1	Schott sleeve
18	932 391 022	1	Hydraulic cap
19	932 391 032	1	Hydraulic protection cap

Spare part list

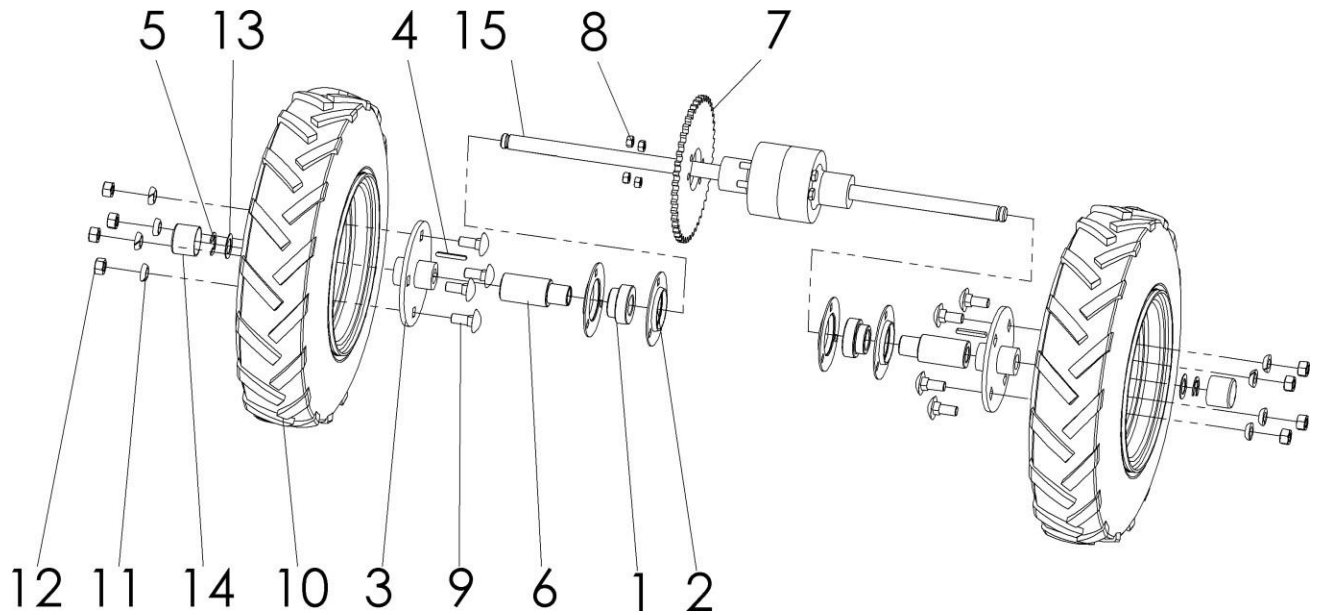
2.3 Travel drive KDM 70 - C00004 R00



No.	Art.-Num.	Num.	Designation
1	C00012	1	Attachment console hydraulic motor
2	935 102 050	1	hydraulic motor
3	903 012 100	1	eyebolt
4	905 112 000	5	Washer
5	900 012 002	3	Stoppmutter
6	901 012 040	1	Hexagon screw
7	901 012 060	1	Hexagon screw
8	920 401 214	1	Sprocket Z14
9	C00013	1	Bush with groove
10	C00014	1	K-disc
11	905 108 000	1	Washer
12	905 008 000	1	spring washer
13	901 008 020	1	Hexagon screw
14	920 101 660	1	drive chain
15	908 008 732	1	Feather key A8x7x32
16	906 225 351	2	shim
17	705 025 356	1	spacer

Spare part list

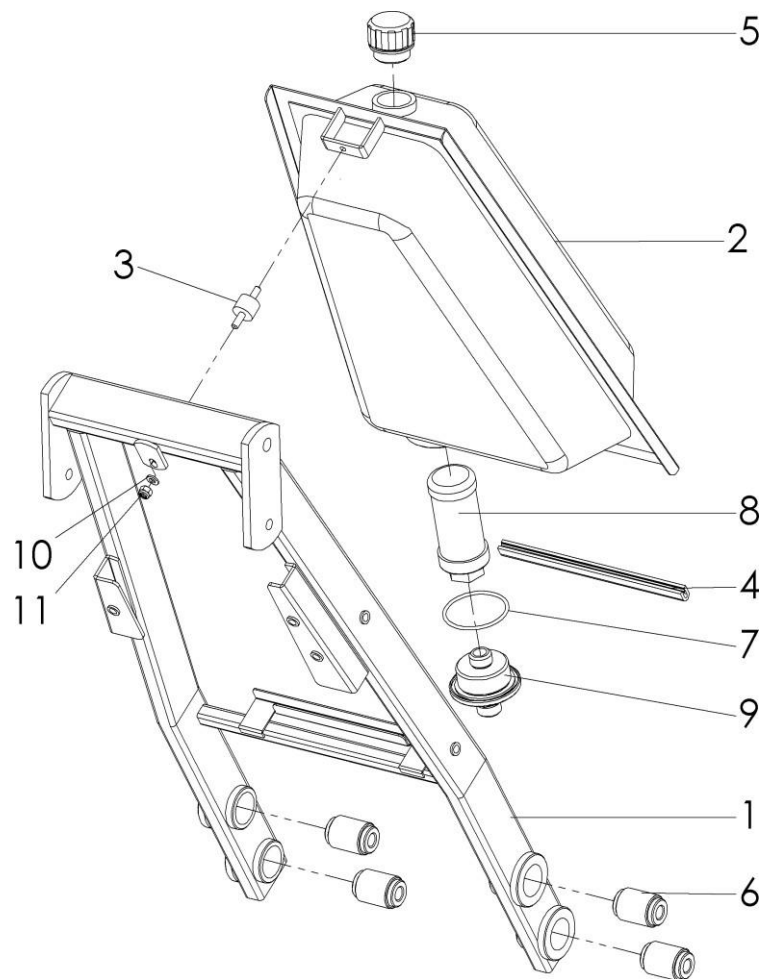
2.4 Differential axle with center drive - C0007 R00



No.	Art.- Num.	Num.	Designation
1	924 100 205	2	Ball bearing SB 205
2	924 200 205	4	Cups set
3	see tire list	2	wheel hub
4	908 047 440	2	Key 4,76x4,76x40 mm
5	905 820 000	2	Benzingring
6	C00015	2	Bushing long
7	920 501 145	1	Sprocket wheel 45Z
8	900 008 016	4	Hexagon-inch nut
9	901 912 030	8	carriage bolt
10	see tire list	2	Wheel set 4.00-8
11	905 712 000	8	Limes ring
12	900 012 001	8	Hexagon nut
13	905 320 010	2	Shim 20x32x1
14	943 300 035	2	Protective cap wheel cap
15	922 001 003	1	differential axle

Spare part list

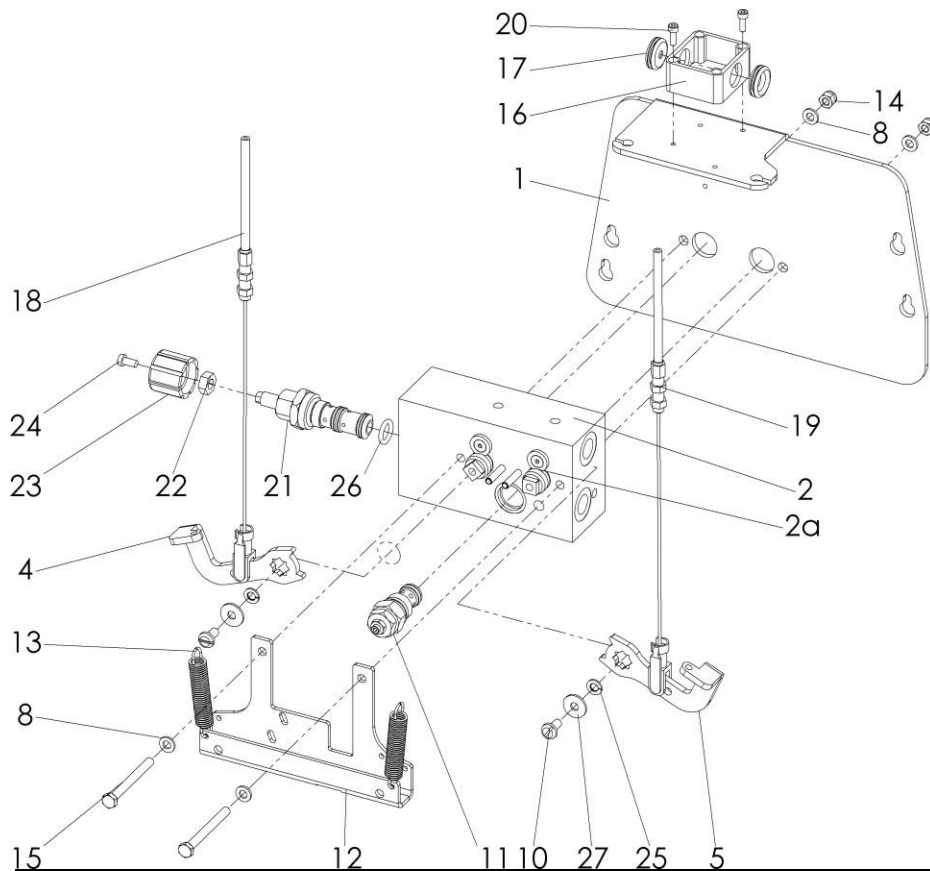
2.5 Guide rail and tank - C00110 R00



No.	Art.-Num.	Num.	Designation
1	C00081	1	Guide rail shortened - Model 2009
2	771 000 001	1	large tank + 1 filter element
3	911 006 015	1	Rubber-metal buffer
4	767 000 147	1	Edge protection for tank
5	931 200 042	1	bleed screw
6	911 301 244	4	vibrator
7	937 158 003	1	O-ring
8	937 200 030	1	Microfilter for axial piston pump
9	110 000 135	1	Filter carrier in the tank
10	905 106 000	1	Washer
11	900 006 002	1	Stoppmutter

Spare part list

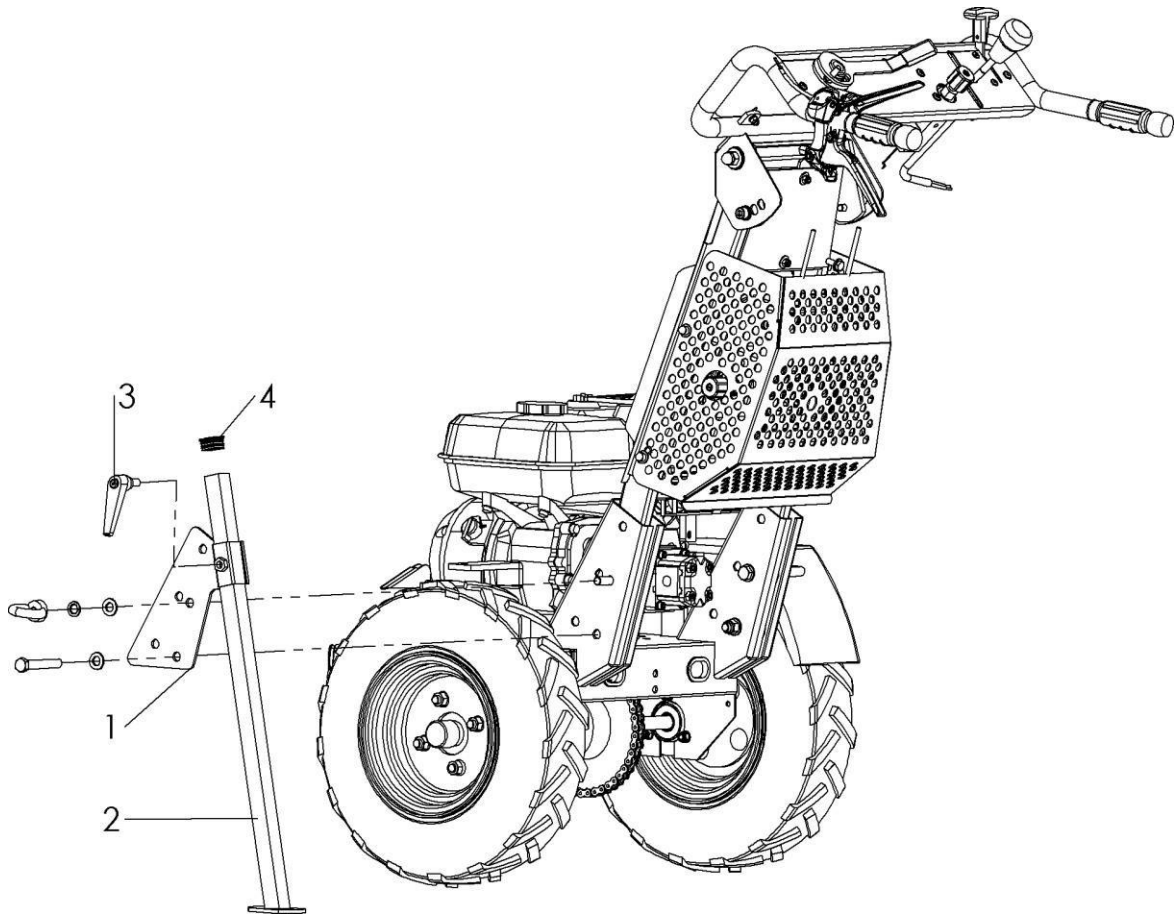
2.6 Hydraulic control with control valve - C00003 R01



No.	Art.-Num.	Num.	Designation
1	700 500 051	1	Anbauplatte
2	769 000 020	1	Driving & PTO valve with control cartridge compl.
2a	937 125 031	1	Seal kit for pistons
4	769 300 010	1	Swingarm left for pistons
5	769 300 020	1	Rocker right for pistons
6	907 350 036	2	dowel pin
7	936 401 001	2	handguard
8	905 106 000	4	Washer
9	901 205 012	2	Countersunk screw with inner-Skt
10	903 920 612	2	Flat head screw with slot
11	936 500 534	1	Pressure relief valve
12	C00022	1	Valve carrier with simple electric switch
13	909 200 124	2	mainspring
14	900 006 002	2	Stoppmutter
15	901 006 060	2	Skt. Screw with shank
16	767 000 123	1	wiring box
17	908 706 667	2	cablе grommet
18	s. operator	1	Bowden cable for PTO
19	s. operator	1	Bowden cable for travel drive
20	901 804 012	2	Cylinder head screw m. Allen
21	936 202 075	1	control cartridge
22	900 005 001	1	Hexagon nut
23	941 400 015	1	Knob / blue
24	901 705 010	1	Cheese head screw
25	905 006 000	2	spring washer
26	937 300 075	1	Seal kit for control cartridge
27	905 206 025	2	K-disc

Spare part list

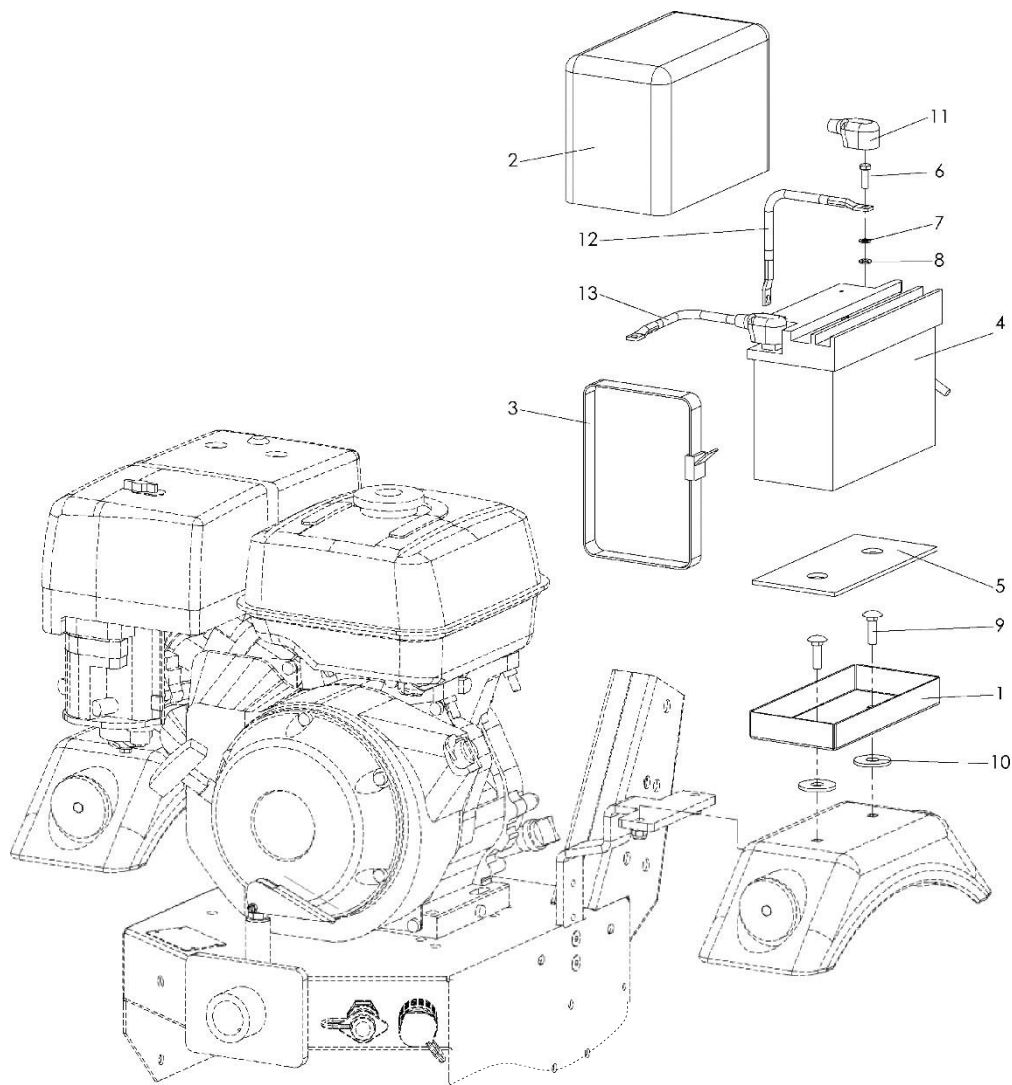
2.7 Jack stand – C00880 R00



No.	Art.-Num.	Num.	Designation
1	C00881	1	Holder parking support
2	700 100 155	1	parking support
3	941 200 106	1	clamping lever
4	943 125 252	1	protective cap

Spare part list

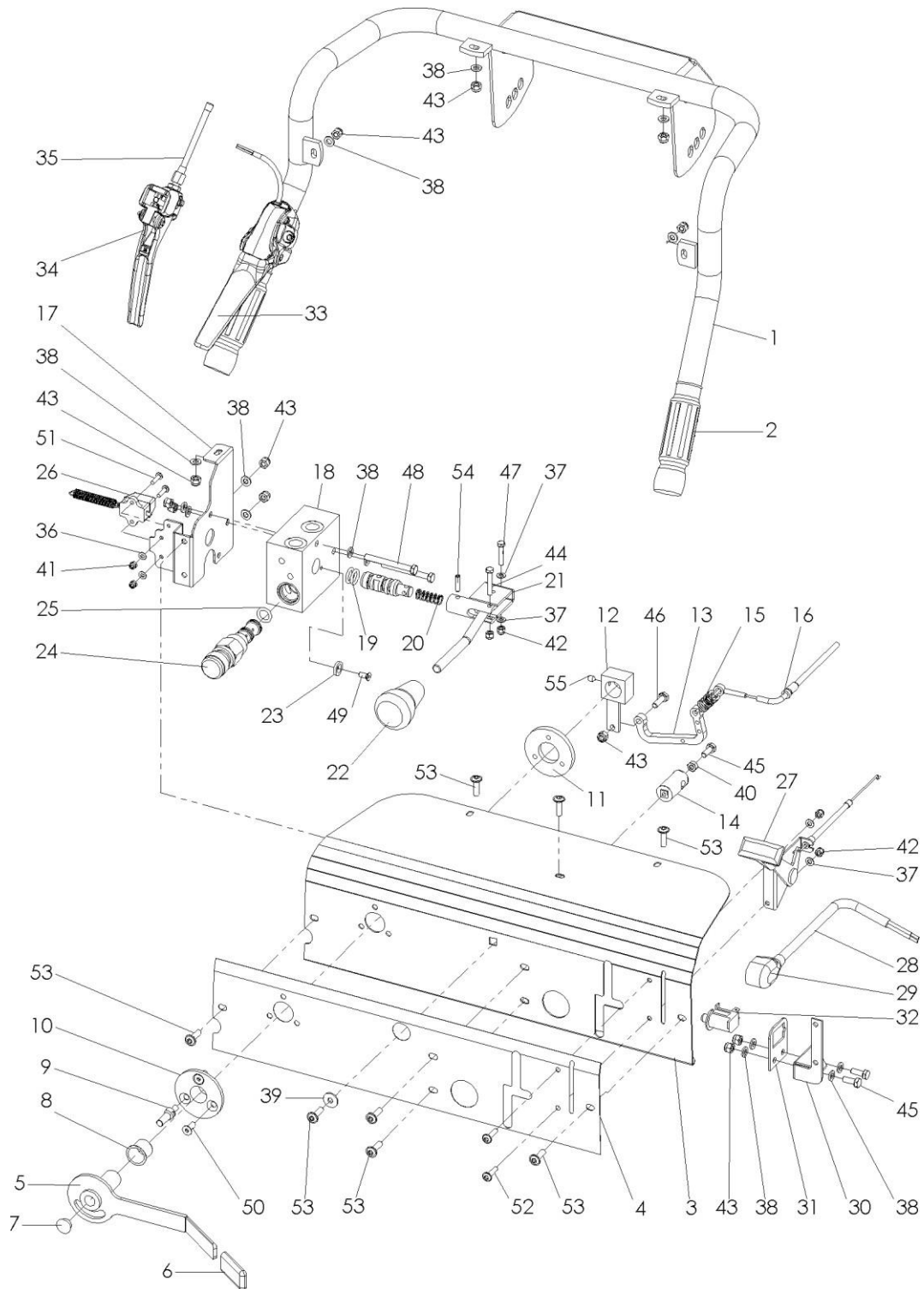
2.8 E-Start for K- Serie - C04777 R00



No.	Art.-Num.	Num.	Designation
1	C04722	1	battery box
2	960 031 001	1	battery cover
3	960 031 000	1	battery tape
4	960 011 220	1	Battery 12V 20 Ah
5	700 000 305	1	battery edition
6	901 006 020	2	Skt.-screw without shank
7	905 006 000	2	spring washer
8	900 106 000	2	Washer
9	901 908 025	2	carriage bolt
10	905 212 001	2	K-disc
11	960 041 000	2	polar cap
12	960 021 470	1	Battery cable (-)
13	960 021 350	1	Battery cable (+)

Spare part list

2.9 Control panel - C00819 R02

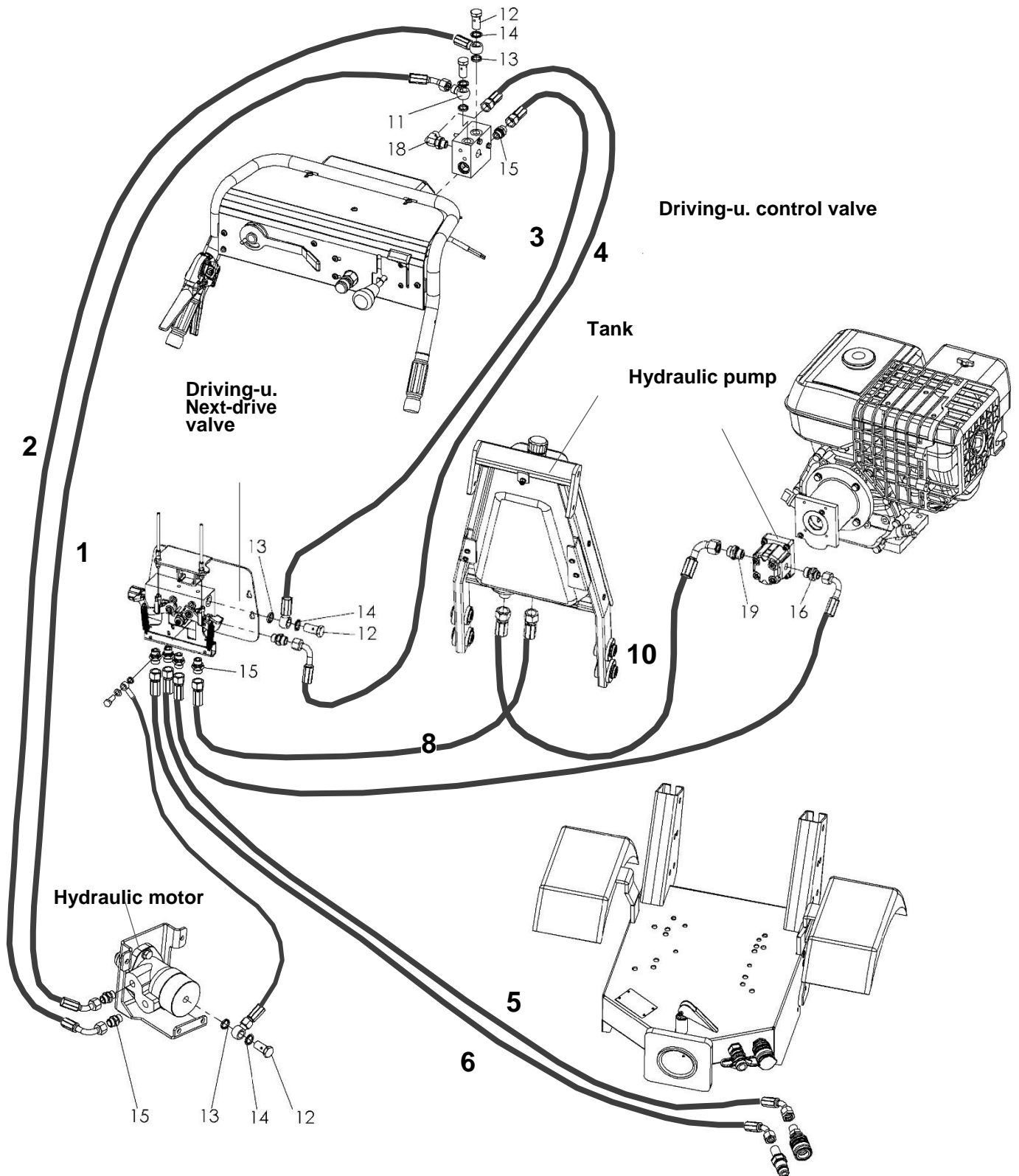


Spare part list

No.	Art.-Num.	Num.	Designation
1	C00042	1	hand Holm
2	941 908 015	2	handle
3	C02318	1	operator
4	950 900 019	1	control panel overlay
5	C00049	1	PTO lever
6	941 900 050	1	diving cap
7	943 700 014	1	blind plug
8	915 021 020	1	bearings
9	C00057	1	Stop bolts for PTO lever
10	767 000 004	1	rosette
11	C00058	1	Screw plate for rosette
12	C00053	1	Swivel arm for easy PTO lever
13	C00054	1	Umlenkhebel
14	C02315	1	bowden cable
15	909 100 162	1	mainspring
16	941 200 400	1	Bowden cable PTO
17	C00044	1	Valve holder for diverter valve
18	C00754	1	Driving with control valve
19	937 125 031	1	Seal kit for pistons
20	909 100 192	1	compression spring
21	C00045	1	Driving lever & driving lever joint
22	941 264 510	1	Mushroom handle, long
23	936 401 001	1	handguard
24	936 202 076	1	control cartridge
25	936 202 077	1	Seal kit for control cartridge
26	941 102 766	1	Brake light switch compl.
27	941 920 133	1	Gas lever LGS long
28	C00162	1	Cable 2-wire
29	960 041 000	1	polar cap
30	C00056	1	Intermediate plate for safety switch
31	767 000 143	1	Switch maintenance sheet
32	941 903 000	1	Start safety switch
33	941 801 001	1	Dead man's lever with clamp
34	941 750 702	1	Lever without catch
35	941 750 703	1	Bowden
36	905 104 000	2	Washer
37	905 105 000	4	Washer
38	905 106 000	15	Washer
39	905 206 018	1	K-disc
40	900 006 001	1	Hexagon nut
41	900 004 002	2	Stoppmutter
42	900 005 002	4	Stoppmutter
43	900 006 002	12	Stoppmutter
44	901 005 030	1	Skt.-screw without shank
45	901 006 016	3	Skt.-screw without shank
46	901 006 020	1	Skt.-screw without shank
47	901 105 025	1	Skt. Screw with shank
48	901 006 060	2	Skt. Screw with shank
49	901 205 012	1	Countersunk screw with inner socket.
50	901 206 016	2	Countersunk screw with inner Skt.
51	903 604 016	2	Phillips screw with Phillips
52	903 905 020	2	Linsenkopfschraube with Innenskt.
53	903 906 020	8	Linsenkopfschraube with Innenskt.
54	907 350 020	1	dowel pin
55	902 306 008	1	grub screw

Spare part list

2.10 Hydraulic diagram without lowering brake valve - C00794 R01



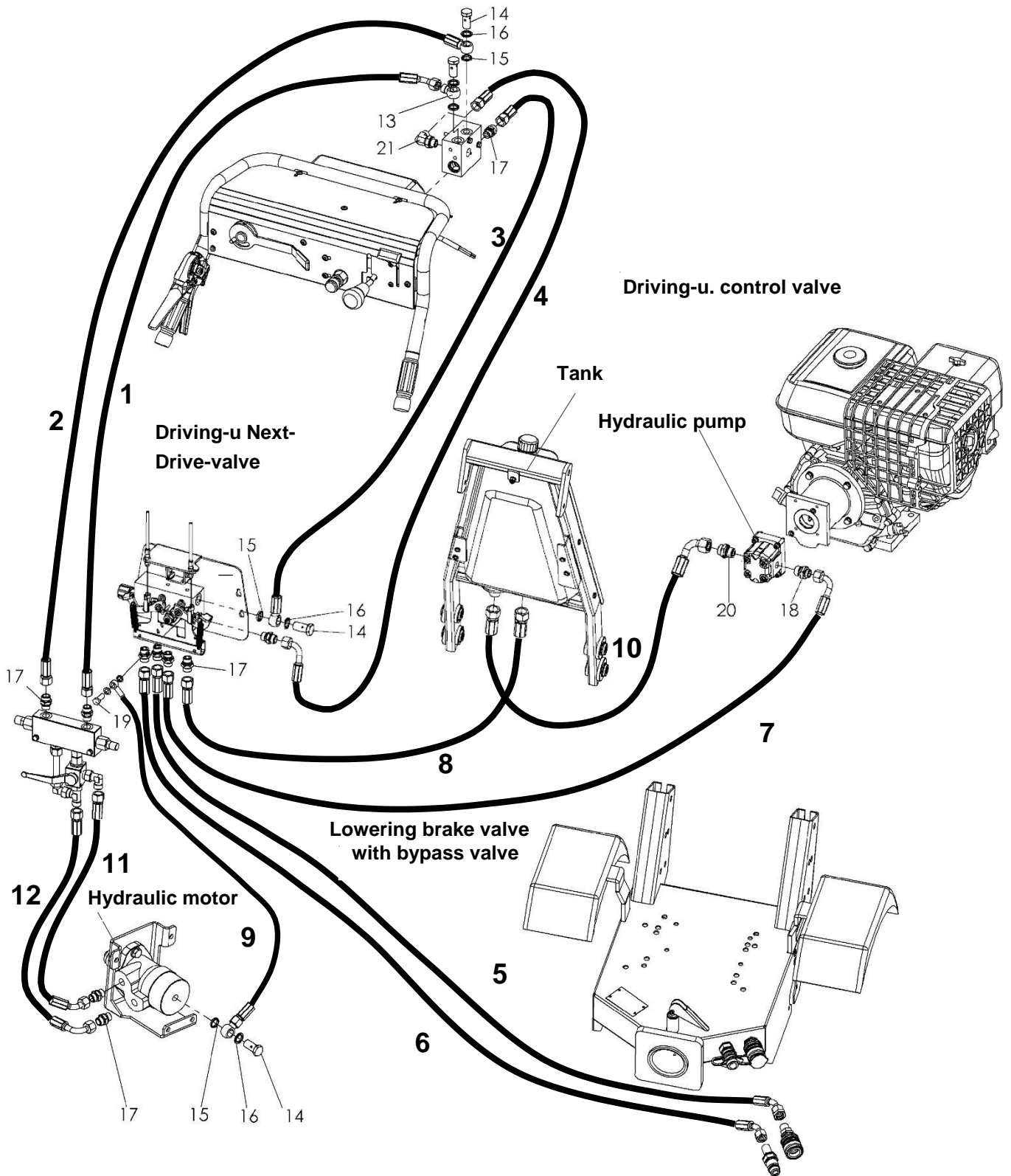
Spare part list

Parts list – C00794 R00

No.	Art.-Num.	Num.	Designation
	930 764 999		Hydraulic hose set Pos.1 - Pos.10
1	930 764 001	1	hydraulic hose
2	930 764 002	1	hydraulic hose
3	930 700 004	1	hydraulic hose
4	930 764 008	1	hydraulic hose
5	930 764 003	1	hydraulic hose
6	930 764 004	1	hydraulic hose
7	930 700 010	1	hydraulic hose
8	930 764 006	1	hydraulic hose
9	930 764 005	1	Leakage oil pipe 8L
10	930 764 007	1	hydraulic hose
11	931 111 238	1	ferrule union
12	931 261 038	4	Hohlschraube
13	937 101 038	4	Edge sealing ring
14	937 117 015	4	seal
15	931 071 238	8	Hydraulikverschraubung
16	931 071 212	1	Hydraulikverschraubung
17	931 261 118	1	Banjo bolt 1/8 inch
18	931 061 012	1	ink. Sealing edge ring and copper ring
19	931 071 512	1	Hydraulikverschraubung

Spare part list

2.11 Hydraulic diagram with lowering brake valve - C01084 R01



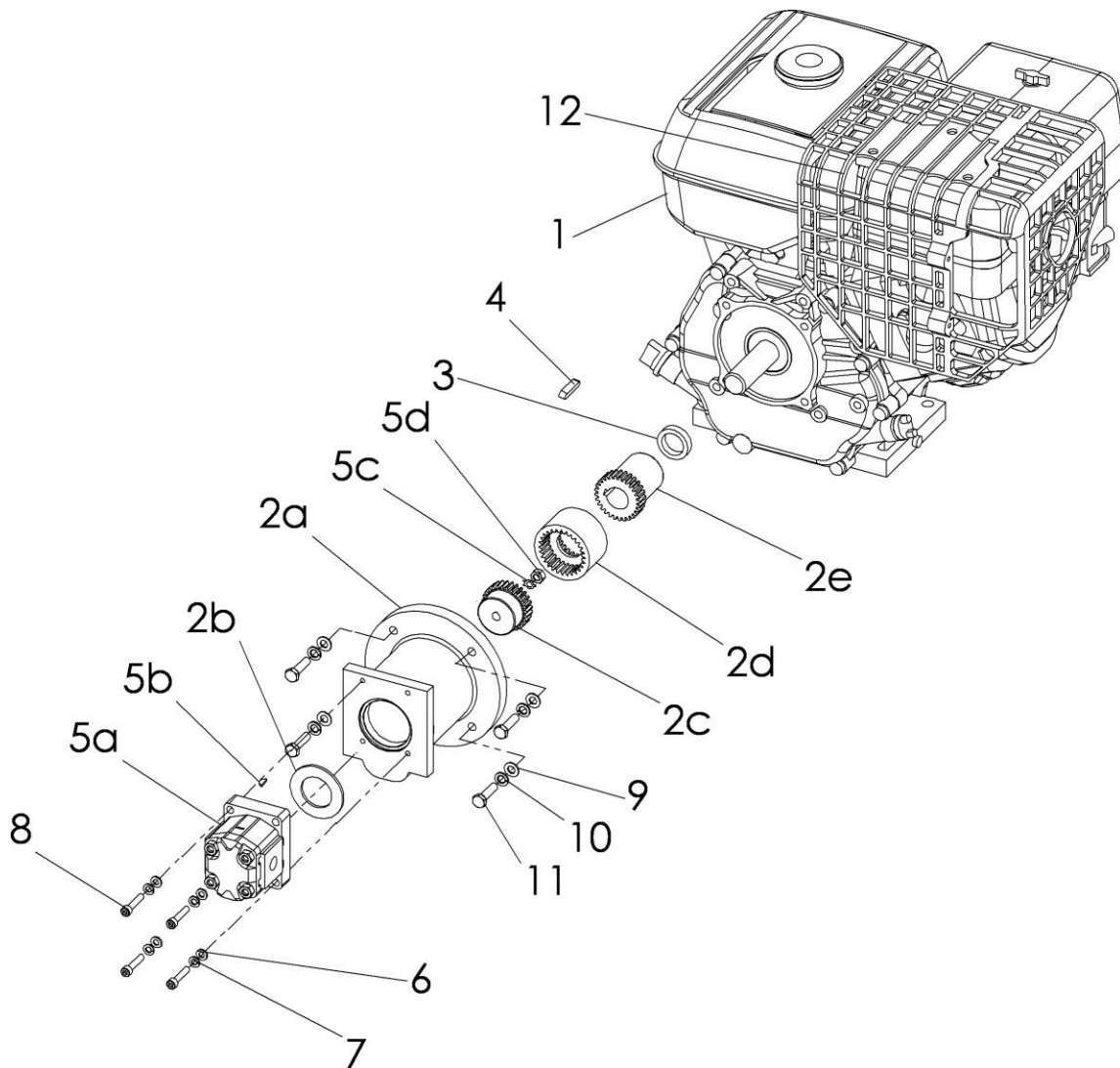
Spare part list

Parts list – C01084 R00

No.	Art.-Num.	Num.	Designation
	930 764 998		Hose set Pos.1 - Pos.12
1	930 764 009	1	hydraulic hose
2	930 764 010	1	hydraulic hose
3	930 700 004	1	hydraulic hose
4	930 764 008	1	hydraulic hose
5	930 764 003	1	hydraulic hose
6	930 764 004	1	hydraulic hose
7	930 700 010	1	hydraulic hose
8	930 764 006	1	hydraulic hose
9	930 764 005	1	Leakage oil pipe 8L
10	930 764 007	1	hydraulic hose
11	930 764 011	1	hydraulic hose
12	930 764 011	1	hydraulic hose
13	931 111 238	1	ferrule union
14	931 261 038	4	Hohlschraube
15	937 101 038	4	Edge sealing ring
16	937 117 015	4	seal
17	931 071 238	10	Hydraulikverschraubung
18	931 071 212	1	Hydraulikverschraubung
19	931 261 118	1	Banjo bolt 1/8 inch
20	931 071 512	1	including sealing edge ring and copper ring
21	931 061 012	1	Hydraulikverschraubung

Spare part list

2.12 Honda GX270 with gear pump without E-Start - C00396 R00

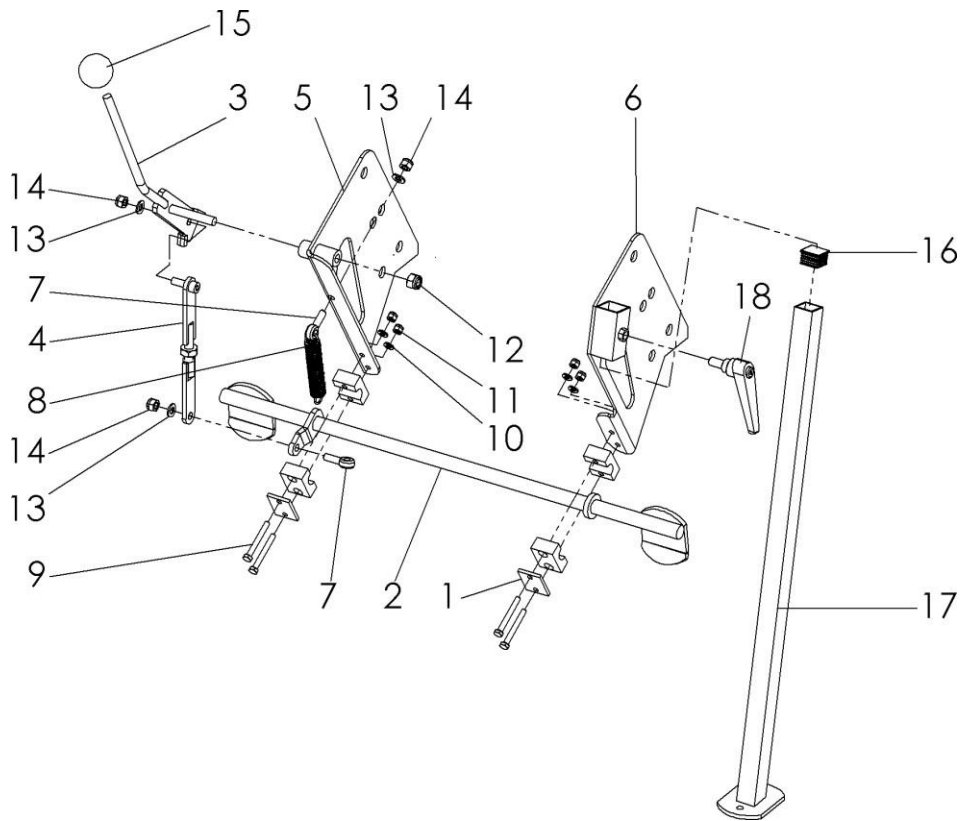


No.	Art.-Num.	Num.	Designation
1	920 000 002	1	Honda 9PS engine without electric start
2a-e	999 925 000.1	1	Pump carrier compl.
2d	925 104 0280	1	Coupling sleeve Z28
3	705 350 508	1	crankshaft bushing
4	908 007 733	1	Feather key 7x7x32.8
5a-d	934 110 037	1	Hydraulic pump compl.
5b	908 110 037	1	Key for pump 12.4x5
6	905 106 000	4	Washer
7	905 006 000	4	spring washer
8	901 806 030	4	Cyl.-screw with Innenskt.
9	905 108 000	4	Washer
10	905 008 000	4	spring washer
11	901 008 030	4	Hexagon screw
12	920 803 074	1	Exhaust grille

Spare part list

3 Accessories

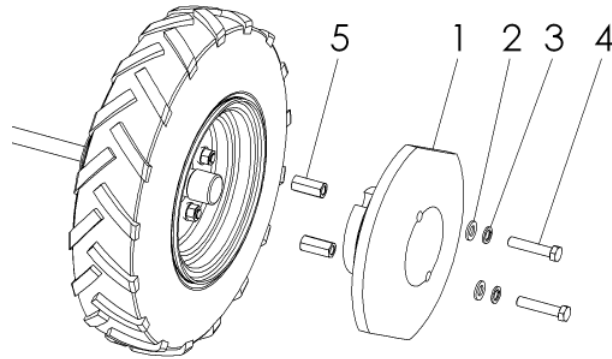
3.1 Parking brake - C00018 R00



No.	Art.-Num.	Num.	Designation
1	908 612 018	2	Pipe clamp cpl. 18mm
2	700 005 003	1	brake linkage
3	700 005 004	1	brake lever
4	700 005 005	1	lever arm
5	C00016	1	Brake rod holder left
6	C00017	1	Brake rod holder right
7	903 108 030	2	eyebolt
8	909 200 021	1	mainspring
9	901 006 050	4	Hexagon screw
10	905 106 000	4	Washer
11	900 006 002	4	Stoppmutter
12	900 010 002	1	Stoppmutter
13	905 108 000	3	Washer
14	900 008 002	3	Stoppmutter
15	941 220 010	1	Kugelknopf
16	943 125 252	1	protective cap
17	700 100 155	1	parking support
18	941 200 106	1	clamping lever

Spare part list

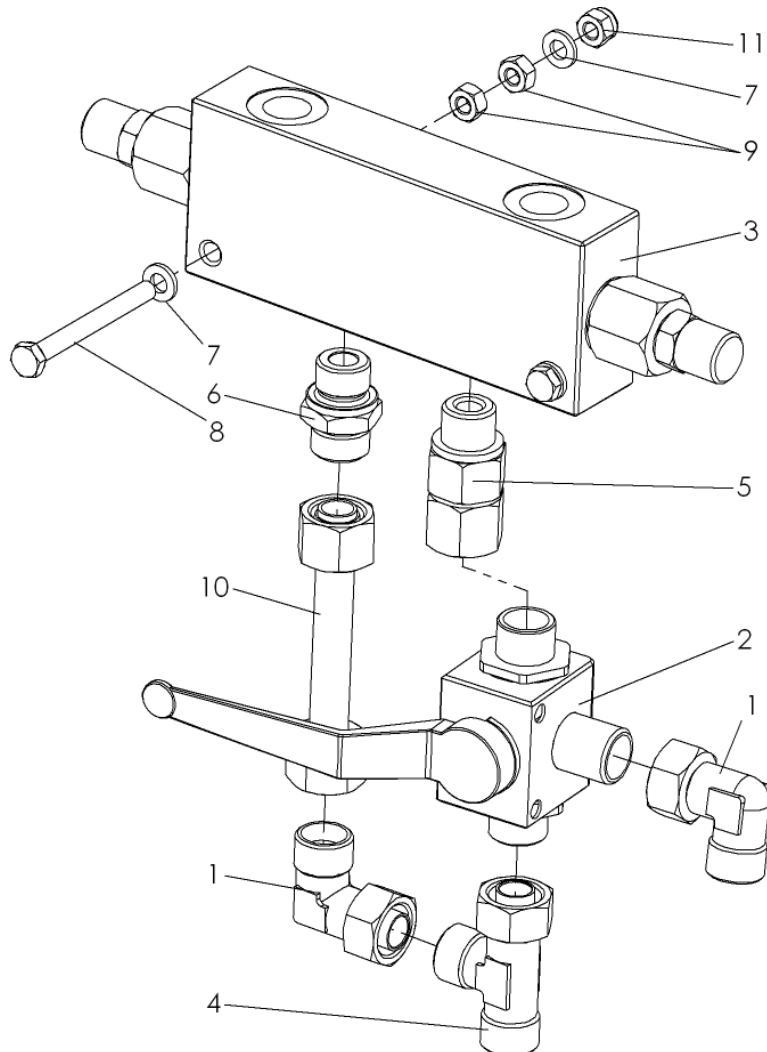
3.2 Wheel weight - C00122 R00



No.	Art.-Num.	Num.	Designation
1	945 104 008	2	Wheel weight
2	905 112 000	4	Washer
3	905 012 000	4	spring washer
4	901 012 060	4	Hexagon screw
5	902 812 040	4	threaded sleeve

Spare part list

3.1 Counterbalance valve with bypass valve - C01079 R00



No.	Art.-Num.	Num.	Designation
1	931 061 200	2	Hydraulikverschraubung
2	931 141 218	1	stopcock
3	936 612 563	1	lowering valve
4	931 041 200	1	Hydraulikverschraubung
5	931 031 238	1	Hydraulikverschraubung
6	931 071 238	1	Hydraulikverschraubung
7	905 106 000	4	Washer
8	901 006 060	1	Skt.- screw
9	900 006 001	4	Hexagon nut
10	C00261	1	hydraulic line
11	900 006 002	2	Stoppmutter
12	901 006 060	1	Skt.- screw

Spare part list

4 Others

4.1 Tire and wheel hub list – D00001 R02

Type	Wheel size	Tire tread	Art.-Num.	Wheel hub Art. Art.-Nr.	Wheel hub for parking brake Item No.	Wheel Motor Art.
K 820	4.00-8	block	926 141 408	712 000 022	-	-
	4.00-8	field studs	926 110 408	712 000 022	-	-
K 1500	4.00-8	block	926 140 408	700 000 022	-	-
K 2000	4.00-8	field studs	926 110 408	700 000 022	-	-
K 2100	16x6.50-8	block	926 130 168	700 000 023	-	-
	16x6.50-8	field studs	926 110 168	700 000 023	-	-
UBS Easy	4.00-8	block	926 140 408	700 000 022	-	-
	4.00-8	field studs	926 110 408	700 000 022	-	-
	16x6.50-8	block	926 130 168	700 000 023	-	-
	16x6.50-8	field studs	926 110 168	700 000 023	-	-
UBS Hydro	4.00-8	block	926 140 408	767 410 006	767 000 141	935 102 315
	4.00-8	field studs	926 110 408	767 410 006	767 000 141	935 102 315
	5.00-10	field studs	926 110 510	767 410 006	767 000 141	935 102 315
	16x6.50-8	block	926 130 168	767 187 006	767 000 142	935 102 315
	16x6.50-8	field studs	926 110 168	767 187 006	767 000 142	935 102 315
	18x7.00-8	field studs	926 110 187	767 187 006	767 000 142	935 102 315
UBS Master	18x9.50-8	field studs	926 110 188	-	C00976	935 101 400
	21x11.00-8	field studs	926 111 108	-	C00976	935 101 400
UBS Alpin	18x9.50-8	field studs	926 110 188	-	C00976	935 101 400
	21x11.00-8	field studs	926 111 108	-	C00976	935 101 400
RoughCutter	4.00-10	field studs	926 110 410	767 410 006	767 000 141	935 102 315
	5.00-10	field studs	926 110 510	767 410 006	767 000 141	935 102 315
	18x9.50-8	field studs	926 110 188	767 189 006	767 000 129	935 103 400
	21x11.00-8	field studs	926 111 108	767 189 006	767 000 129	935 103 400
VertiCutter	4.00-10	field studs	926 110 410	767 410 006	-	-
	18x7.00-8	field studs	726 110 187	767 187 006	-	-
SafetyCutter	18x9.50-8	field studs	926 110 188	767 189 006	767 000 129	935 103 400
	21x11.00-8	field studs	926 111 108	767 189 006	767 000 129	935 103 400
Bodenfräse	16x6.50-8	field studs	926 110 168	760 000 024	-	-
Vento	4.00-8	block	926 140 484	700 000 022	-	-
	4.00-8	field studs	926 130 408	700 000 022	-	-
	16x6.50-8	block	926 130 168	700 000 023	-	-
Vela	16x6.50-8	block	926 130 168	700 000 023	-	-

Kersten

SITE MAINTENANCE EQUIPMENT

Distributed in UK by
Kersten (UK) Ltd Tel. 0118 986 9253

Progress House
39 Boulton Road Reading, RG2 0NH
www.kerstenuk.com - info@kerstenuk.com