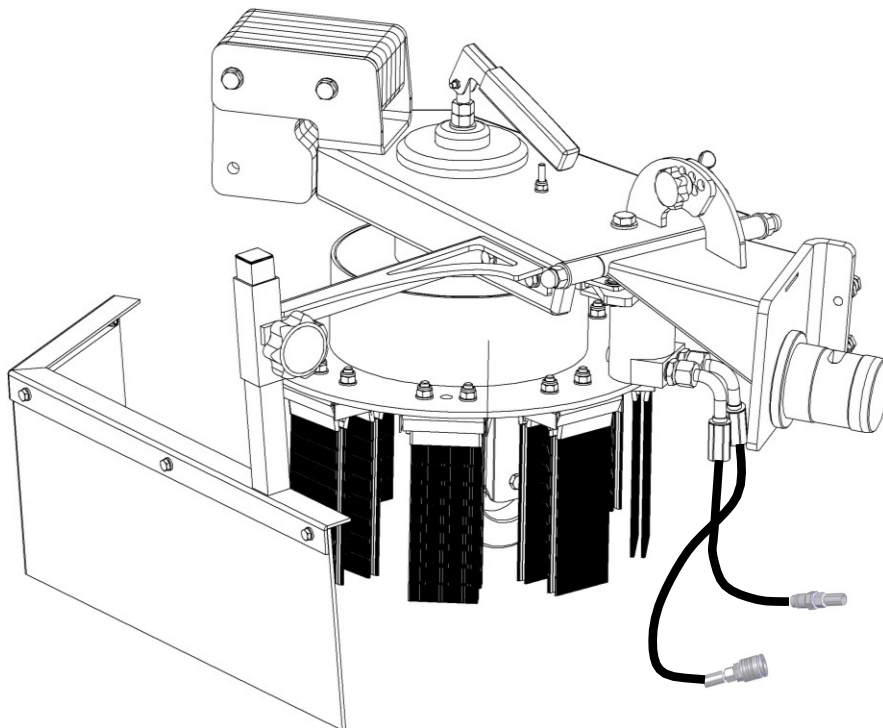




# Spare Part List

# Weedbrush

WKB-H-K 35, WKB-H-KU70



Order Number: E00035 from machine No:63618 REV.: R03 Data: 29.03.2019



Manufactured by  
**Kersten Arealmaschinen GmbH**  
Empeler Straße 95  
D - 46459 Rees  
[www.kersten-maschinen.de](http://www.kersten-maschinen.de)

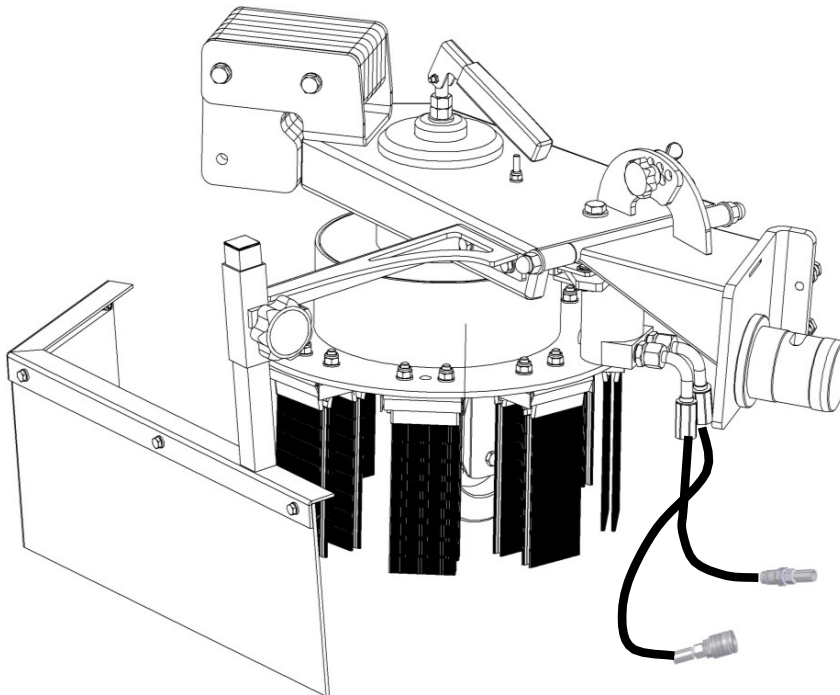


Distributed in UK by  
**Kersten (UK) Ltd** Tel. 0118 986 9253  
Progrees House  
39 Boulton Road Reading, RG2 0NH  
[www.kerstenuk.com](http://www.kerstenuk.com) - [info@kerstenuk.com](mailto:info@kerstenuk.com)

## CONTENTS

<b>1</b>	<b>MODEL OVERVIEW</b>	<b>2</b>
1.1	WKB-H-K 35 for K 820 Pro - C01675 R00	2
1.2	WKB-H-K 35 for K 1500 - C01675 R00	2
1.3	WKB-H-KU 70 for K 2000 and K2100	2
<b>2</b>	<b>ASSEMBLY OVERVIEW</b>	<b>3</b>
2.1	Assembly for WKBH - C01668 R02	3
2.2	Basic machine for WKBH – C01663 R01	4
2.3	Splash protection for WKBH – C01662 R00	6
2.4	Recording - WKB-H-K 35 for K 820 Pro – C01682 R01	7
2.5	Mounting - WKB-H-K 35 for K 1500 – C01683 R01	7
2.6	Mounting - WKB-H-KU 70 for K 2000 and K 2100 – C01684 R01	8

## 1 MODEL OVERVIEW



### 1.1 WKB-H-K 35 FOR K 820 PRO - C01675 R00

No.	Art. Num.	Num.	Designation
1	C01668 R01	1	ASSEMBLY WKBH WKBH
2	C01663 R01	1	BASIC MACHINE WKBH
3	C01682 R01	1	RECORDING FOR K 820 PRO
4	C01168 R00	1	WEIGHT WITH HOLDER
5	C01662 R00	1	SPRAY PROTECTION

### 1.2 WKB-H-K 35 FOR K 1500 - C01675 R00

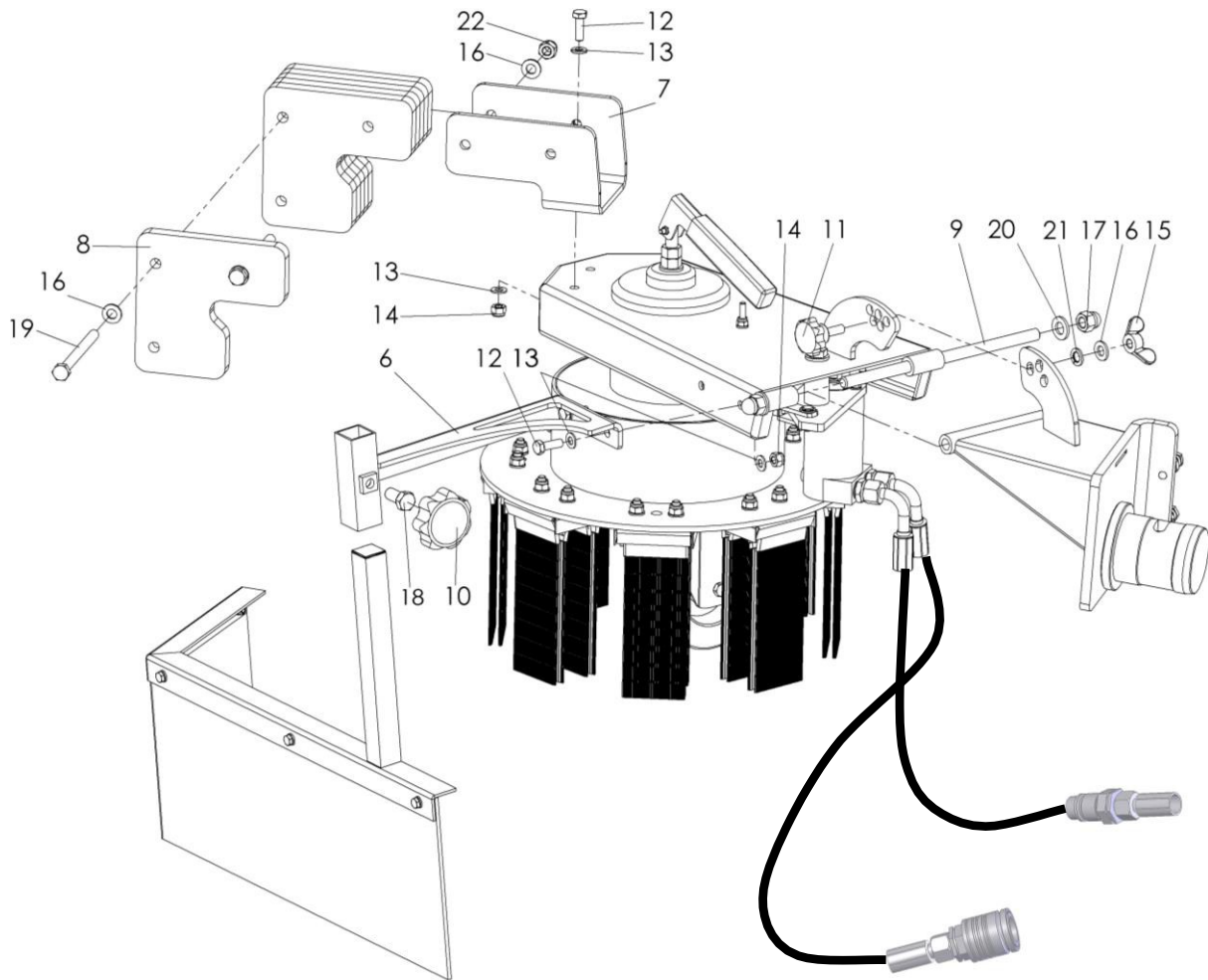
No.	Art. Num.	Num.	Designation
1	C01668 R01	1	ASSEMBLY WKBH WKBH
2	C01663 R01	1	BASIC MACHINE WKBH
3	C01683 R01	1	RECORDING FOR K 1500
4	C01168 R00	1	WEIGHT WITH HOLDER
5	C01662 R00	1	SPRAY PROTECTION

### 1.3 WKB-H-KU 70 FOR K 2000 AND K2100

No.	Art. Num.	Num.	Designation
1	C01668 R01	1	ASSEMBLY WKBH WKBH
2	C01663 R01	1	BASIC MACHINE WKBH
3	C01684 R01	1	RECORDING FOR K 2000 AND K 2100
4	C01168 R00	1	WEIGHT WITH HOLDER
5	C01662 R00	1	SPRAY PROTECTION

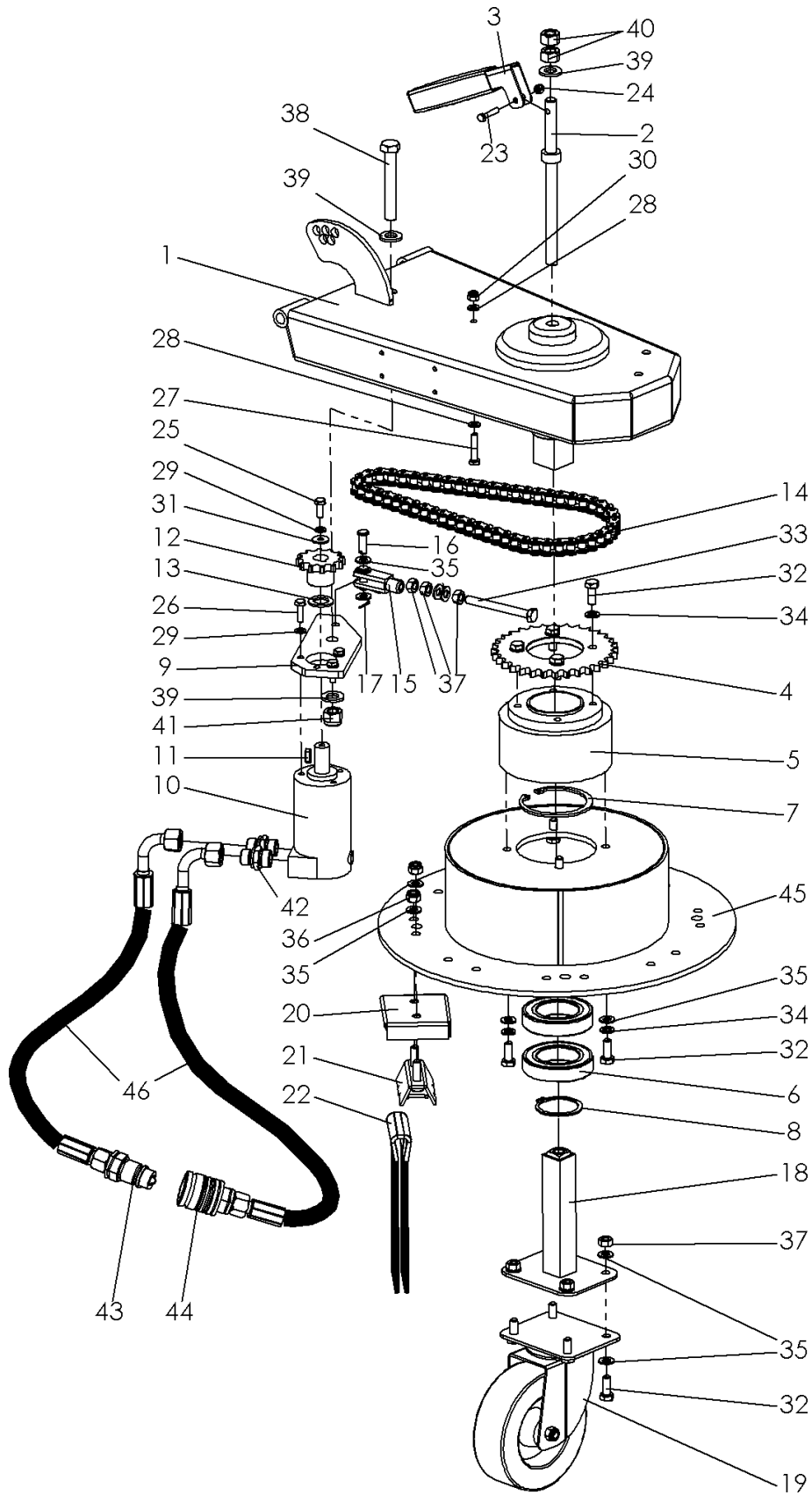
**2 ASSEMBLY OVERVIEW**

**2.1 ASSEMBLY FOR WKBH - C01668 R02**



No.	Art. Num.	Num.	Designation
6	C01661	1	Splash guard holder
7	C10765	1	Weight bracket
8	C07089	6	mass
9	710 000 205	1	threaded rod
10	941 410 031	1	Star grip compl.
11	941 241 025	1	Star grabbed
12	901 008 025	4	Skt.-screw without shank
13	905 108 000	8	Washer
14	900 008 002	6	Stop mother
15	900 010 007	1	butterfly nut
16	905 110 000	5	Washer
17	900 012 003	2	Hut mutter
18	901 012 025	1	Skt.-screw without shank
19	901 110 120	2	Skt. Screw with shank
20	905 112 000	2	Washer
21	905 010 000	1	spring washer
22	900 010 002	2	Stop mother

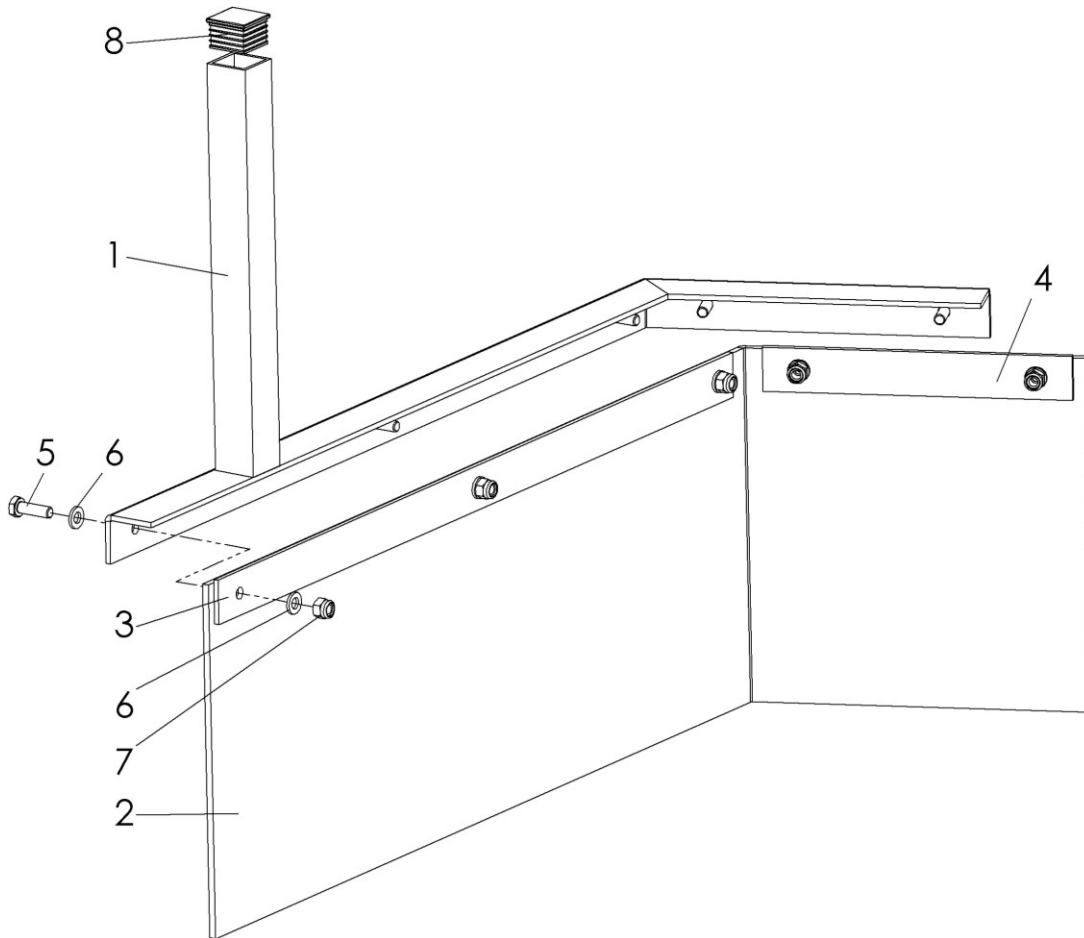
2.2 BASIC MACHINE FOR WKBH – C01663 R01



## BASIC MACHINE FOR WKBH C01663 R00

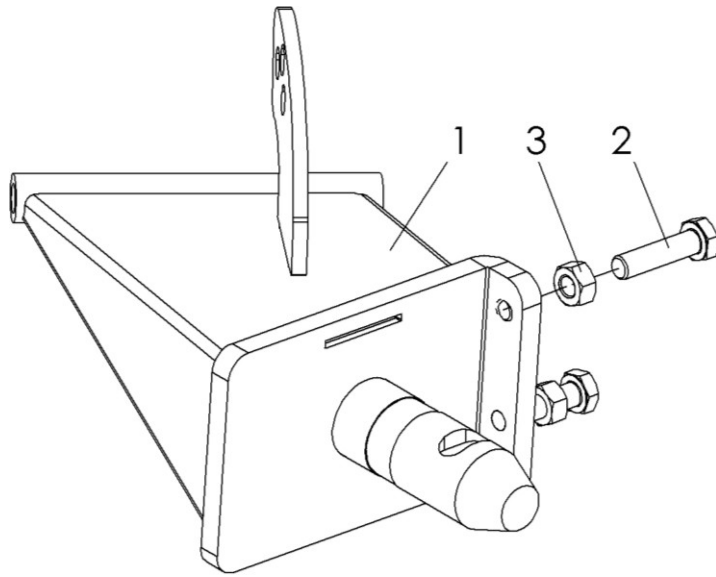
No.	Art. No.	Num.	Designation
1	700 001 054	1	Stem housing for WKBH on K series
2	700 000 081	1	screw
3	700 000 085	1	hand lever
4	710 000 106	1	Sprocket
5	710 000 101	1	Plate hub for brooms
6	924 106 009	2	ball-bearing
7	906 075 250	1	Circlip inside
8	905 945 185	1	Circlip outside
9	700 000 035	1	Engine holder
10	935 111 020	1	Hydraulic motor with side connection
10a	937 301 020	1	Gasket set for engine
11	908 005 516	1	Adjusting spring
12	920 401 012	1	Sprocket
13	701 301 503	1	spacer
14	920 100 700	1	Chain
15	908 408 032	1	yoke
16	908 508 020	1	bolt
17	907 216 016	1	cotter
18	C01335	1	Caster support
19	926 302 140	1	caster
20	700 000 132	8	Brush holder outer part
21	700 001 133	8	Brush holder, inner part
22	700 000 135	8	Wild herb tuft (mixed)
23	901 005 025	1	Skt.-screw without shank
24	900 005 002	1	Stop mother
25	901 006 016	1	Skt.-screw without shank
26	901 006 020	3	Skt.-screw without shank
27	901 006 030	1	Skt.-screw without shank
28	905 106 000	2	Washer
29	905 006 000	4	spring washer
30	900 006 002	1	Stop mother
31	905 206 025	1	K-disc
32	901 008 020	12	Skt.-screw without shank
33	901 108 080	1	Skt. Screw with shank
34	905 008 000	8	spring washer
35	905 108 000	16	Washer
36	900 008 002	16	Stop mother
37	900 008 001	7	Hexagon nut
38	901 112 080.	1	Skt. Screw with shank 10.9
39	905 112 000	3	Washer
40	900 012 001	2	Hexagon nut
41	900 012 002	1	Stop mother
42	931 071 238	2	Hydraulic connection
43	932 131 323	1	hydraulic connector
44	932 231 223	1	hydraulic sleeve
45	710 000 201	1	brush plate
46	930 000 089	2	hydraulic hose

2.3 SPRAY PROTECTION FOR WKBH – C01662R00



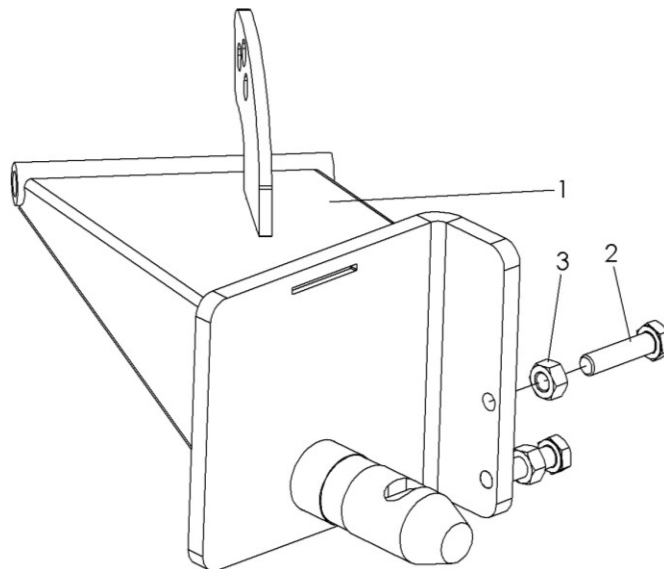
No.	Art. Num.	Num.	Designation
1	700 001 150	1	Spray protector
2	700 001 148	1	Rubber injection rags
3	700 001 149	1	Fastening strip 490
4	700 001 151	1	Mounting strip 170
5	901 006 020	5	Hexagon SCREW
6	905 106 000	10	U-DISK
7	900 006 002	5	Stop mother
8	943 125 252	1	Protective cap

**2.4 RECORDING - WKB-H-K 35 FOR K 820 PRO – C01682 R01**



No.	Art. Num.	Num.	Designation
1	700 001 053	1	RECORDING WKB-H-K35 FOR K820 PRO
2	901 010 040	2	SCREW WITHOUT SCHAFT
3	900 010 001	2	HEXAGON NUT

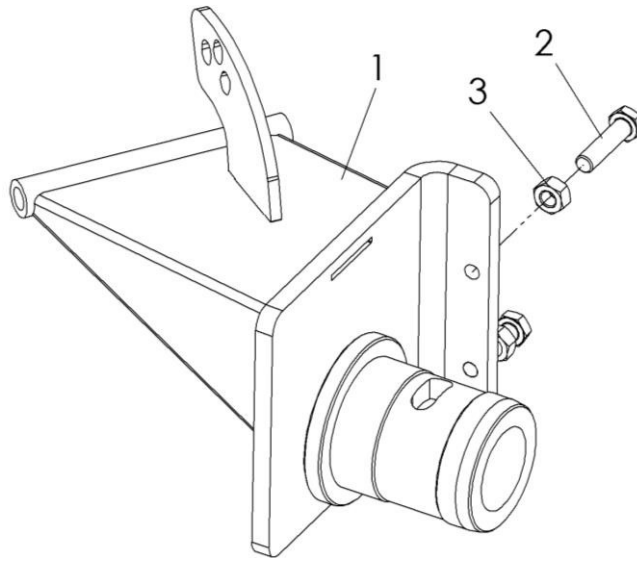
**2.5 RECORDING - WKB-H-K 35 FÜR K 1500 – C01683 R01**



No.	Art. Num.	Num.	Designation
1	C00300	1	RECORDING WKB-H-K35 FOR K 1500
2	901 010 040	2	SCREW WITHOUT SCHAFT
3	900 010 001	2	HEXAGON NUT



2.6 RECORDING - WKB-H-KU 70 FOR K 2000 AND K 2100 – C01684 R01



No.	Art. Num.	Num.	Designation
1	700 001 052	1	RECORDING WKB-H-KU 70 FOR K 2000 AND K 2100
2	901 010 040	2	SCREW WITHOUT SCHAFT
3	900 010 001	2	HEXAGON NUT

# **Kersten**

**SITE MAINTENANCE EQUIPMENT**

Distributed in UK by  
**Kersten (UK) Ltd Tel. 0118 986 9253**

Progress House  
39 Boulton Road Reading, RG2 0NH  
www.kerstenuk.com - [info@kerstenuk.com](mailto:info@kerstenuk.com)