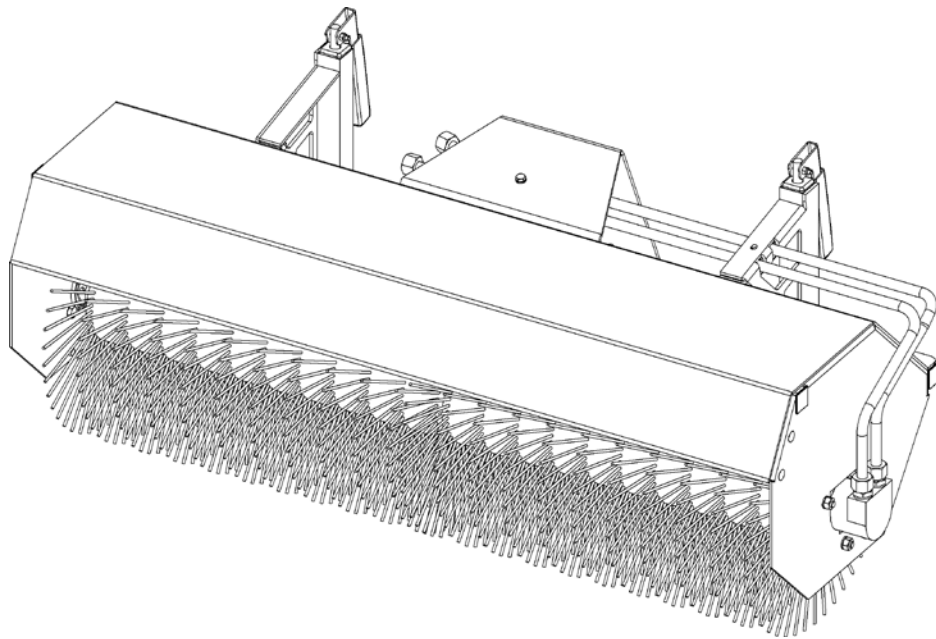




Spare part list

Attachment – Front Sweeper

KM 10037 H-FKDR; EFKM 10037 H-KU 70
KM 11537 H-FKDR; EFKM 11537 H-KU 70
KM 12537 H-FKDR; EFKM 12537 H-KU 70



Order number: E00042 From machine-No.: Rev.: R00 Data:07.12.2015



Manufactures by
Kersten Arealmaschinen GmbH
Empeler Straße 95
D - 46459 Rees
www.kersten-maschinen.de

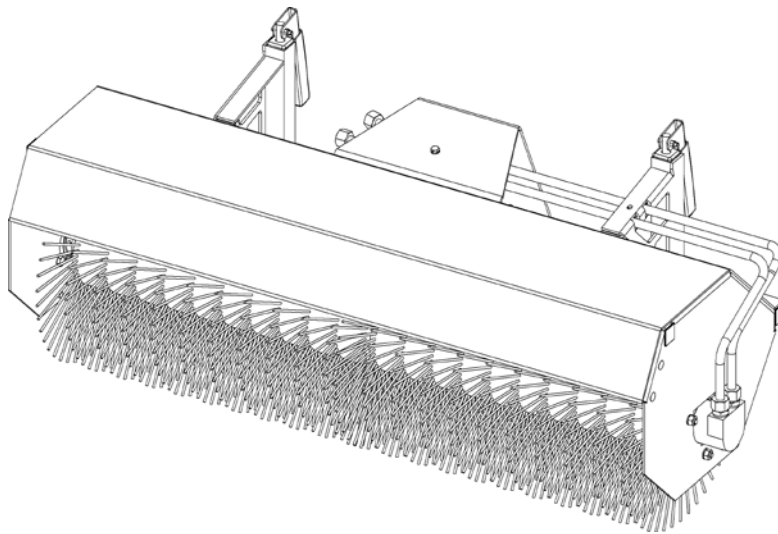


Distributed in UK by
Kersten (UK) Ltd Tel. 0118 986 9253
Progres House 39 Boulton Road
Reading, RG2 0NH
www.kerstenuk.com - info@kerstenuk.com

1 Table of Contents

1	Table of Contents	2
2	Model Overview	3
2.1	KM 10037 H-FKDR - C02752 R00	3
2.2	KM 11537 H-FKDR - C02753 R00	3
2.3	KM 12537 H-FKDR - C02754 R00	3
2.4	EFKM 10037 H-KU 70- C02755 R00.....	3
2.5	EFKM 11537 H-KU 70- C02756 R00.....	3
2.6	EFKM 12537 H-KU 70- C02757 R00.....	3
3	Overview of Modules.....	4
3.1	Basic Device	4
3.1.1	Basic unit KM 10037 H-FKDR - C04581 R00	5
3.1.2	Basic unit KM 11537 H-FKDR - C04793 R00	6
3.1.3	Basic unit KM 12537 H-FKDR – C04792 R00	7
3.2	Basic housing can be screwed	8
3.2.1	Basic housing KM 10037 H – C04582 R00	8
3.2.2	Basic housing KM 11537 H – C04583 R00	9
3.2.3	Basic housing KM 12537 H – C04584 R00	9
3.3	Inclusion KD - C02046 R00	10
3.4	Inclusion KU 70 - C02045 R00	11
4	Accessories for front sweeper	12
4.1	Dirt collection	12
4.1.1	Dirt collection SSB 100 K for KM 10037 H-FKDR - C00856 R00	13
4.1.2	Dirt collection SSB 115 K for KM 11537 H-FKDR - C01553 R00	14
4.1.3	Dirt collection SSB 125 K for KM 12537 H-FKDR - C01492 R00	15
4.2	Rubber splash flap	16
4.2.1	Rubber splash flap GUSPL 100 for KM 10037 H-FKDR - C01490 R00	16
4.2.2	Rubber splash flap GUSPL 115 for KM 11537 H-FKDR - C01554 R00	17
4.2.3	Rubber splash flap GUSPL 125 for KM 12537 H-FKDR - C01493 R00	17
4.3	Jack stands AST 37 LR- C01989 R00.....	19
4.4	Mounting side brush - ASM 4032 / ASM 4037 - C00900 R00	20
4.5	Mounting side brush - ASM 4032 / ASM 4037 - C00900 R00	21
4.6	Water blasting facility WAS 51 KM - C01818 R00	22
4.7	Water blaster WAS 52 KM - C01795 R00.....	23
4.8	Sweeping rollers: diameter 37cm	24

2 Model Overview



2.1 KM 10037 H-FKDR - C02752 R00

No.	Item-No.	Num.	Designation
1	C04581 R00	1	Basic unit KM 10037 H-FKDR
2	C02046	1	Recording KD

2.2 KM 11537 H-FKDR - C02753 R00

No.	Item-No.	Num.	Designation
1	C04793 R00	1	Basic unit KM 11537 H-FKDR
2	C02046	1	Recording KD

2.3 KM 12537 H-FKDR - C02754 R00

No.	Item-No.	Num.	Designation
1	C04792 R00	1	Basic unit KM 12537 H-FKDR
2	C02046	1	Recording KD

2.4 EFKM 10037 H-KU 70- C02755 R00

No.	Item-No.	Num.	Designation
1	C04581 R00	1	Basic unit KM10037 H-FKDR
2	C02045	1	Cultivation Recording KU 70

2.5 EFKM 11537 H-KU 70- C02756 R00

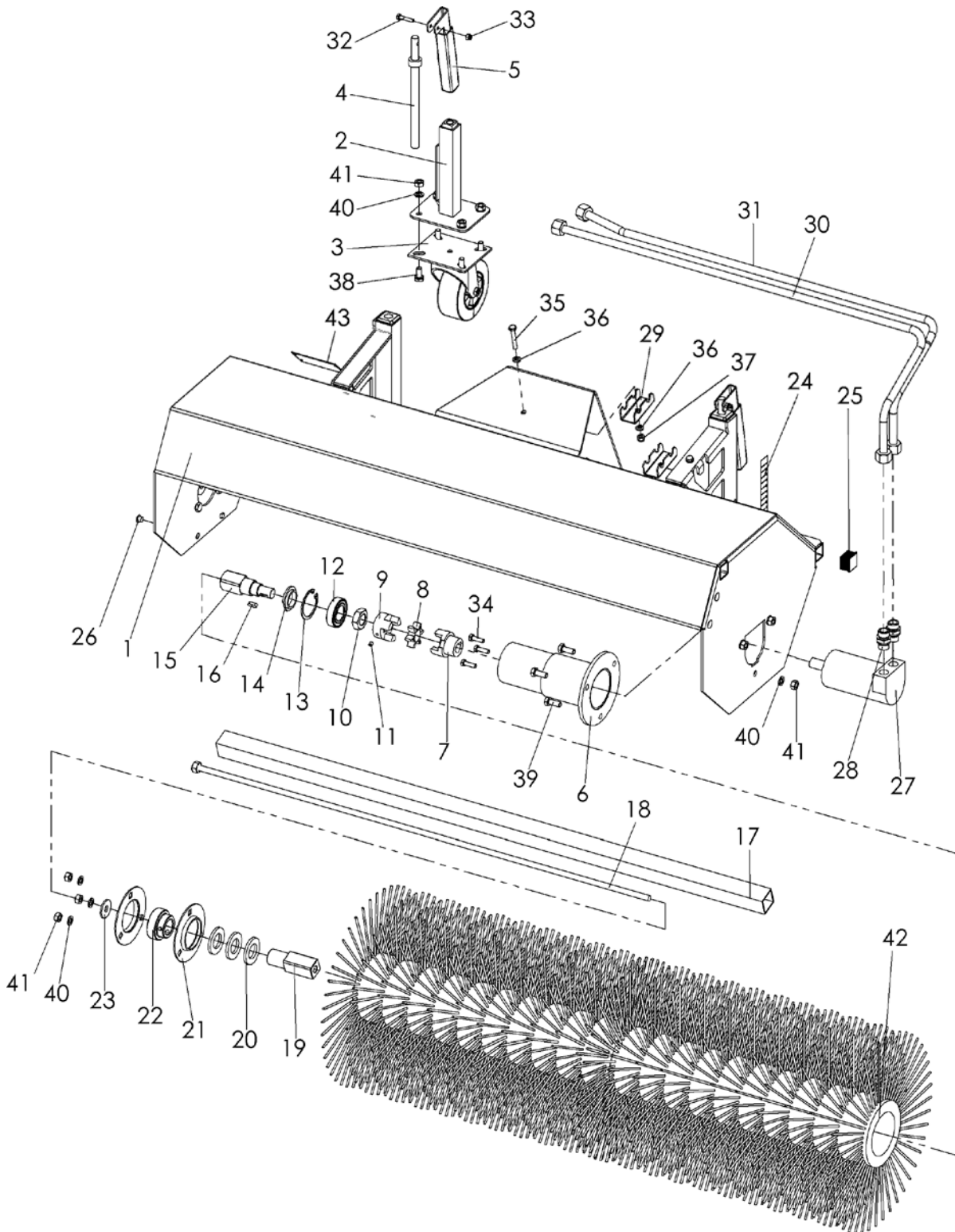
No.	Item-No.	Num.	Designation
1	C04793 R00	1	Basic unit KM 11537 H-FKDR
2	C02045	1	Cultivation Recording KU 70

2.6 EFKM 12537 H-KU 70- C02757 R00

No.	Item-No.	Num.	Designation
1	C04792 R00	1	Basic unit KM 12537 H-FKDR
2	C02045	1	Cultivation Recording KU 70

3 Overview of Modules

3.1 Basic Device



3.1.1 Basic unit KM 10037 H-FKDR - C04581 R00

No.	Art.-No.	Num.	Designation
1	C04582	1	Headers
2	100 000 485	2	Caster support
3	926 302 135	2	Wheel
4	100 000 490.1	2	Spindle
5	700 000 085	2	Hand lever
6	110 000 040	1	Drive carrier
7	925 201 016	1	Clutch motor side
8	925 202 098	1	Coupling driver
9	925 203 016	1	Clutch front side
10	900 020 010	1	Skt. Mother flat
11	902 305 008	1	Grub screw
12	924 106 005	1	Ball-bearing
13	906 000 470	1	Circlip inside
14	110 000 010	1	Disc engine mount
15	110 000 425	1	Drive stub left
16	908 005 515	1	Adjusting spring
17	100 000 440	1	Drive tube
18	100 000 435	1	Tension rod with nut
19	100 000 430	1	Drive stub right
20	905 125 000	3	Washer
21	924 200 205	2	Bearing shell
22	924 100 205	1	Ball-bearing
23	905 210 000	2	K-disc
24	700 000 151	4	Sticker height scale
25	943 125 252	2	Protective cap
26	943 700 008	8	Blind plug
27	935 111 040	1	Hydraulic motor with side connection
28	931 071 238	2	Hydraulic connection
29	110 371 054	2	Conductor holder 2 fold
30	C04786	1	Hydraulic line return
31	C04787	1	Hydraulic line flow
32	901 005 025	2	Skt.-screw without shank
33	900 005 002	2	Stop mother
34	901 006 020	3	Skt.- screw without shank
35	901 106 040	2	Skt. Screw with shank
36	905 106 000	4	Washer
37	900 006 002	2	Stop mother
38	901 008 016	8	Skt.-screw without shank
39	901 008 020	3	Skt.-screw without shank
40	905 008 000	14	Spring washer
41	900 008 001	14	Hexagon nut
42	100 510 037	2	Combination broom
43	auf Inquiry	1	Nameplate

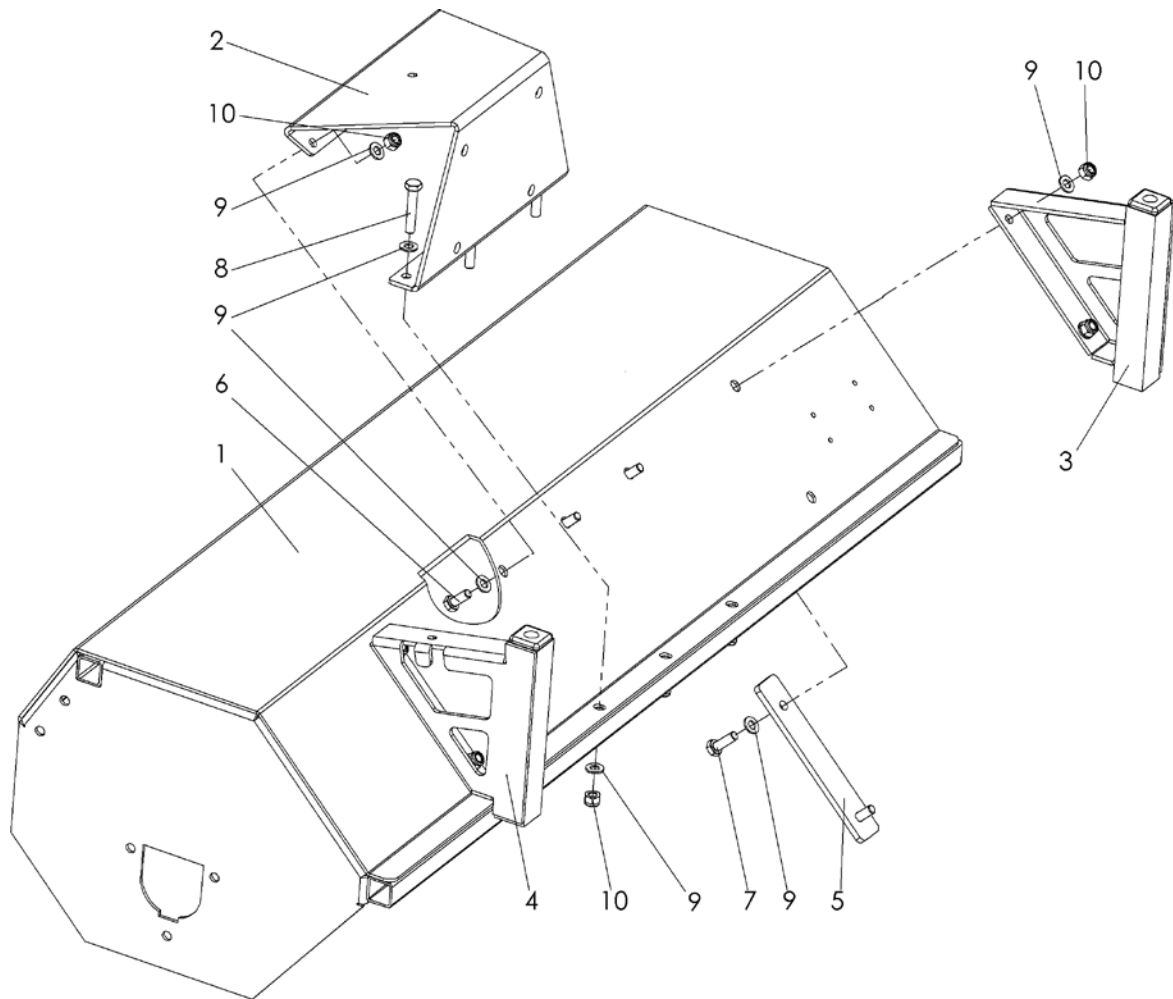
3.1.2 Basic unit KM 11537 H-FKDR - C04793 R00

No.	Art.-No.	Num.	Designation
1	C04583	1	Headers
2	100 000 485	2	Caster support
3	926 302 135	2	Wheel
4	100 000 490.1	2	Spindle
5	700 000 085	2	Hand lever
6	110 000 040	1	Drive carrier
7	925 201 016	1	Clutch motor side
8	925 202 098	1	Coupling driver
9	925 203 016	1	Clutch front side
10	900 020 010	1	Skt. Mother flat
11	902 305 008	1	Grub screw
12	924 106 005	1	Ball-bearing
13	906 000 470	1	Circlip inside
14	110 000 010	1	Disc engine mount
15	110 000 425	1	Drive stub left
16	908 005 515	1	Adjusting spring
17	C00314	1	Drive tube
18	115 000 435	1	Tension rod with nut
19	100 000 430	1	Drive stub right
20	905 125 000	3	Washer
21	924 200 205	2	Bearing shell
22	924 100 205	1	Ball-bearing
23	905 210 000	2	K-disc
24	700 000 151	4	Sticker height scale
25	943 125 252	2	Protective cap
26	943 700 008	8	Blind plug
27	935 111 040	1	Hydraulic motor with side connection
28	931 071 238	2	Hydraulic fitting
29	110 371 054	2	Conductor holder 2 fold
30	C04788	1	Hydraulic line return
31	C04789	1	Hydraulic line flow
32	901 005 025	2	Skt.-screw without shank
33	900 005 002	2	Stop mother
34	901 006 020	3	Skt.-screw without shank
35	901 106 040	2	Skt. Screw with shank
36	905 106 000	4	Washer
37	900 006 002	2	Stop mother
38	901 008 016	8	Skt.-screw without shank
39	901 008 020	3	Skt.-screw without shank
40	905 008 000	14	Spring washer
41	900 008 001	14	Hexagon nut
42	100 510 037	2	Combination broom
43	On demand	1	Nameplate

3.1.3 Basic device KM 12537 H-FKDR – C04792 R00

No.	Art.-No.	Num.	Designation
1	C04584	1	Headers
2	100 000 485	2	Caster support
3	926 302 135	2	Wheel
4	100 000 490.1	2	Spindle
5	700 000 085	2	Hand lever
6	110 000 040	1	Drive carrier
7	925 201 016	1	Clutch motor side
8	925 202 098	1	Coupling driver
9	925 203 016	1	Clutch front side
10	900 020 010	1	Skt. Mother flat
11	902 305 008	1	Grub screw
12	924 106 005	1	Ball-bearing
13	906 000 470	1	Circlip inside
14	110 000 010	1	Disc engine mount
15	110 000 425	1	Drive stub left
16	908 005 515	1	Adjusting spring
17	125 000 440	1	Drive tube
18	125 000 435	1	Tension rod with nut
19	100 000 430	1	Drive stub right
20	905 125 000	3	Washer
21	924 200 205	2	Bearing shell
22	924 100 205	1	Ball-bearing
23	905 210 000	2	K-disc
24	700 000 151	4	Sticker height scale
25	943 125 252	2	Protective cap
26	943 700 008	8	Blind plug
27	935 111 040	1	Hydraulic motor with side connection
28	931 071 238	2	Hydraulic fitting
29	110 371 054	2	Conductor holder 2 fold
30	C04758	1	Hydraulic line return
31	C04759	1	Hydraulic line flow
32	901 005 025	2	Skt.-screw without shank
33	900 005 002	2	Stop mother
34	901 006 020	3	Skt.-screw without shank
35	901 106 040	2	Skt. Screw with shank
36	905 106 000	4	Washer
37	900 006 002	2	Stop mother
38	901 008 016	8	Skt.-screw without shank
39	901 008 020	3	Skt.-screw without shank
40	905 008 000	14	Spring washer
41	900 008 001	14	Hexagon nut
42	100 510 037	2	Combination broom
43	On demand	1	Nameplate

3.2 Basic housing can be screwed



3.2.1 Basic housing KM 10037 H – C04582 R00

No.	Art.-No.	Num.	Designation
1	C04572	1	Basic housing KM 10037
2	C04497	1	gore
3	C04498	1	Wheel holder right hand screw able
4	C04500	1	Wheel holder left, screw able
5	C04502	2	Counter Holder, wheel holder
6	901 008 020	3	Skt.-screw without shank
7	901 008 025	4	Skt.-screw without shank
8	901 008 045	3	Skt. Screw with shank
9	905 108 000	20	Washer
10	900 008 002	10	Stop mother

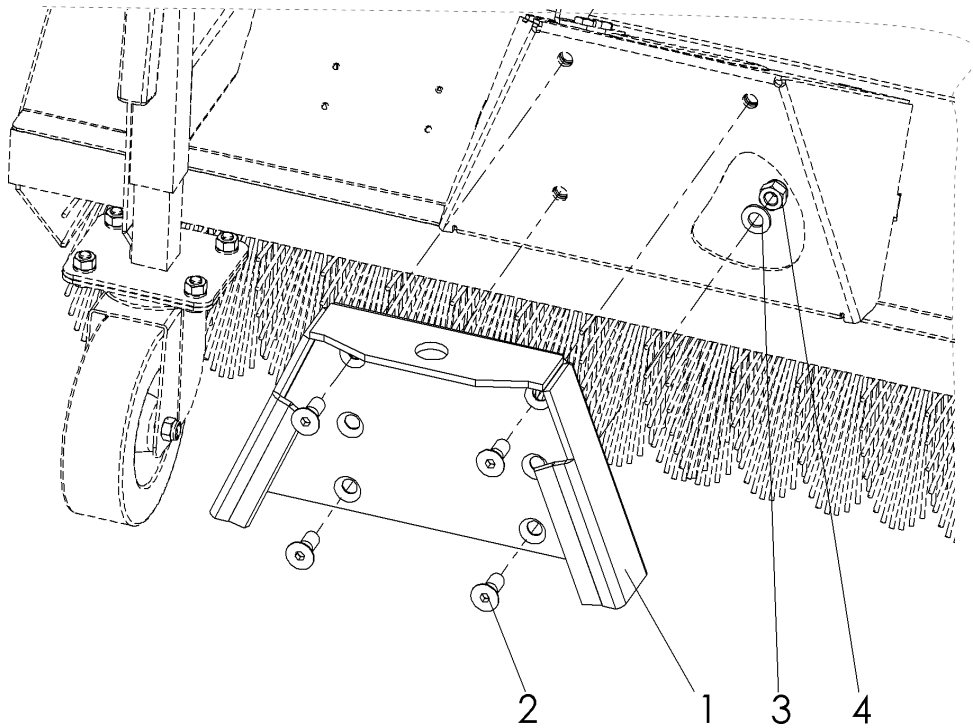
3.2.2 Basic housing KM 11537 H – C04583 R00

No.	Art.-No.	Num.	Designation
1	C04571	1	Basic housing KM 11537 H
2	C04497	1	Gore
3	C03505	1	Wheel holder right hand screw able
4	C04500	1	Wheel holder left, screw able
5	C04502	2	Counter Holder, wheel holder
6	901 008 020	3	Skt.-Screw without shank
7	901 008 025	4	Skt.-Screw without shank
8	901 008 045	3	Skt. Screw with shank
9	905 108 000	20	Washer
10	900 008 002	10	Stop mother

3.2.3 Basic housing KM 12537 H – C04584 R00

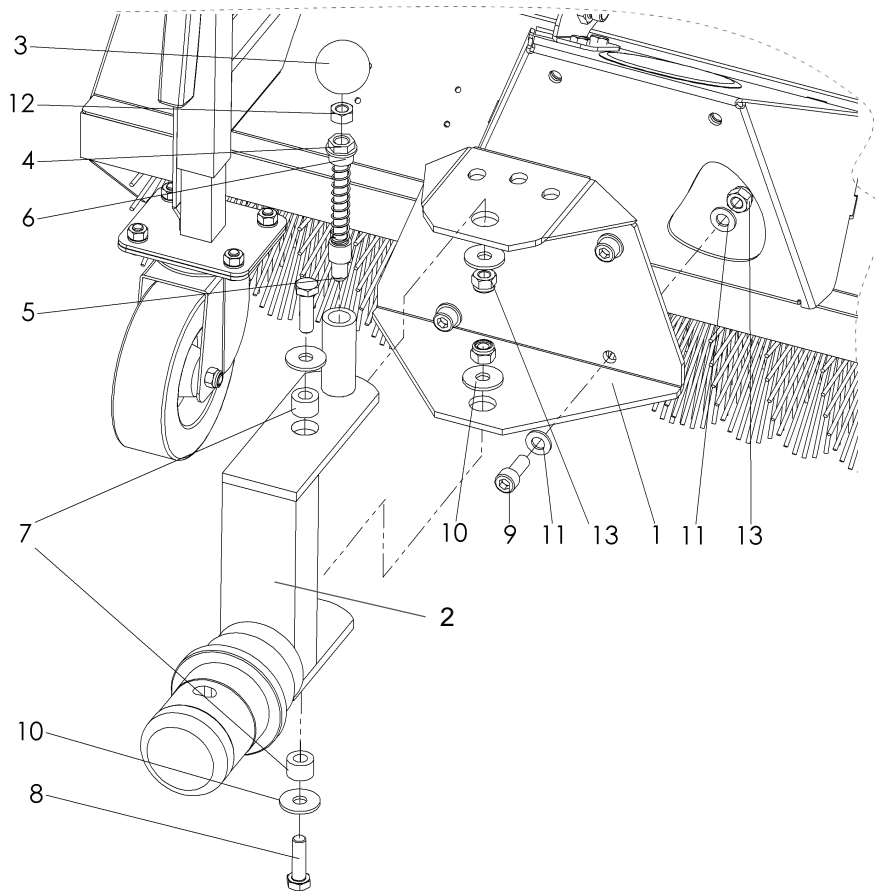
No.	Art.-No.	Num.	Designation
1	C04496	1	Basic housing KM 12537 H
2	C04497	1	Gore
3	C03505	1	Wheel holder right hand screw able
4	C04500	1	Wheel holder left, screw able
5	C04502	2	Counter Holder, wheel holder
6	901 008 020	3	Skt.-screw without shank
7	901 008 025	4	Skt.-screw without shank
8	901 008 045	3	Skt. Screw with shank
9	905 108 000	20	Washer
10	900 008 002	10	Stop mother

3.3 Recording KD - C02046 R00



No.	Art.-No.	Num.	Designation
1	050 427 010	1	Dome triangle machine side
2	901 210 025	4	Countersunk screw with inner socket.
3	905 110 000	4	Washer
4	900 010 002	4	Stop mother

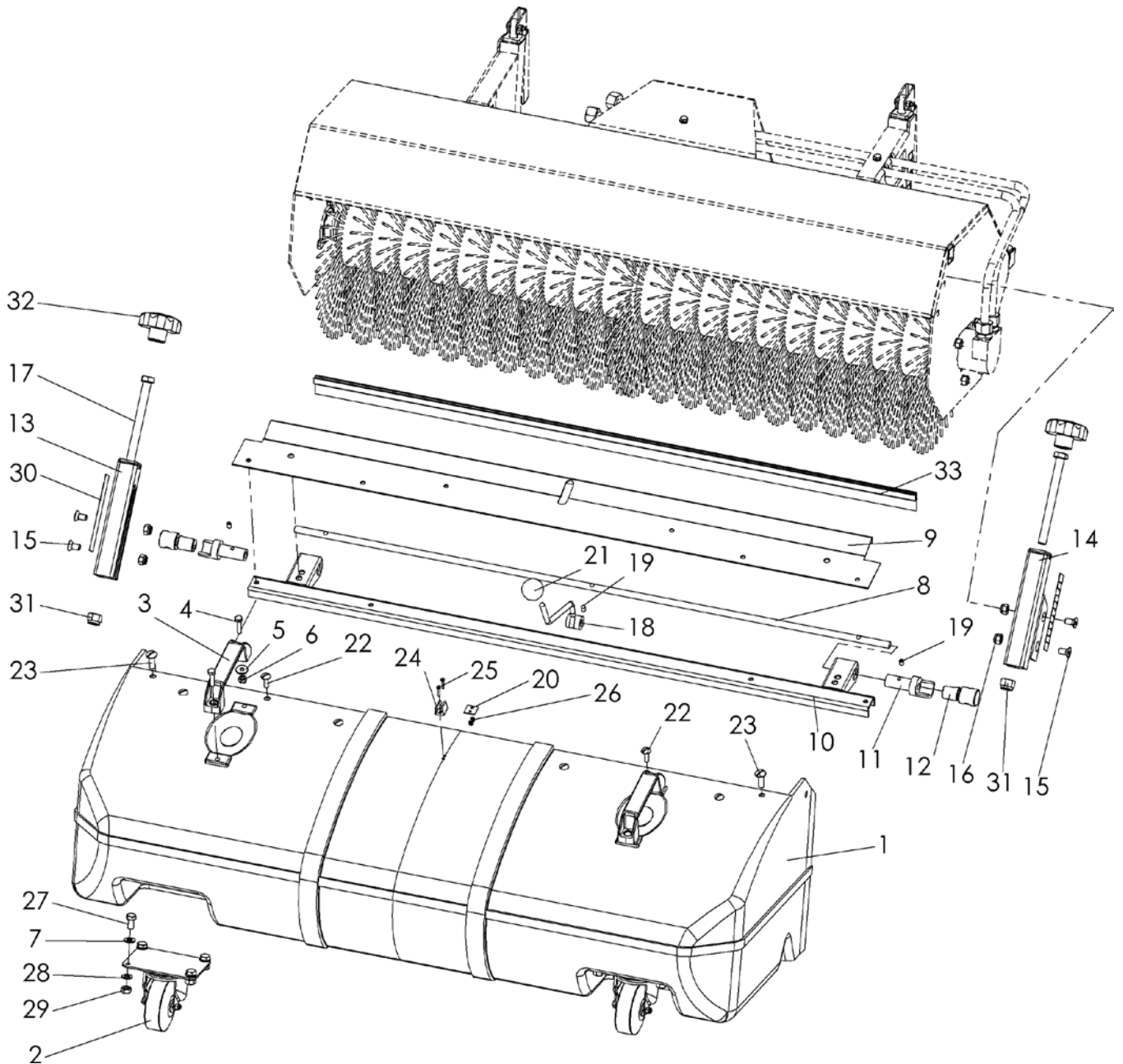
3.4 Recording KU 70 - C02045 R00



No.	Art.-No.	Num.	Designation
1	700 002 267	1	Admission
2	700 002 266	1	Between shooting
3	941 220 010	1	Ball button
4	700 000 171	1	Screw
5	700 001 170	1	Locking pin
6	909 100 189	1	Compression spring
7	705 205 135	2	Shell
8	901 010 035	2	Skt.-screw without shank
9	901 810 025	4	Cylinder head screw with inner. Skt
10	905 210 000	4	K-disc
11	905 110 000	8	Washer
12	900 010 001	1	Hexagon nut
13	900 010 002	6	Stop mother

4 Accessories for front sweeper

4.1 Dirt collection



4.1.1 Dirt collection SSB 100 K for KM 10037 H-FKDR - C00856 R00

No.	Art.-No.	Num.	Designation
1	100 101 625	1	Dirt collection
2	926 301 076	2	Wheel
3	941 310 005	2	Handle
4	901 006 025	4	Skt.-screw without shank
5	905 206 018	4	K-disc
6	900 006 002	10	Stop mother
7	905 108 000	8	Washer
8	712 100 116	1	Locking shaft
9	100 101 626	1	Retaining rail plastic container
10	712 100 115	1	Sealing rail
11	712 000 117	2	Container closure tube
12	712 000 120	2	Closure Klotz
13	712 000 122	1	Guide rail right
14	712 000 121	1	Guide rail left
15	901 208 016	4	Countersurk. with interior.
16	900 008 002	6	Stop mother
17	901 012 180	2	Hexagon screw
18	712 000 118	1	Lock lever collecting container
19	902 306 005	3	Grub screw
20	712 075 093	1	Lever holder counterpart
21	941 220 008	1	Ball button M8
22	903 606 020	6	Flat head screw with slot
23	903 608 020	2	Flat head screw with slot
24	912 900 101	1	Lever holder
25	903 603 016	2	Flat head screw with slot
26	900 003 002	2	Stop mother
27	901 008 016	8	Hexagon screw
28	905 008 000	8	Spring washer
29	900 008 001	8	Hexagon nut
30	700 000 151	2	Sticker height scale
31	900 012 002	2	Stop mother
32	941 410 031	2	Handwheel
33	712 100 111	1	Rubber strip

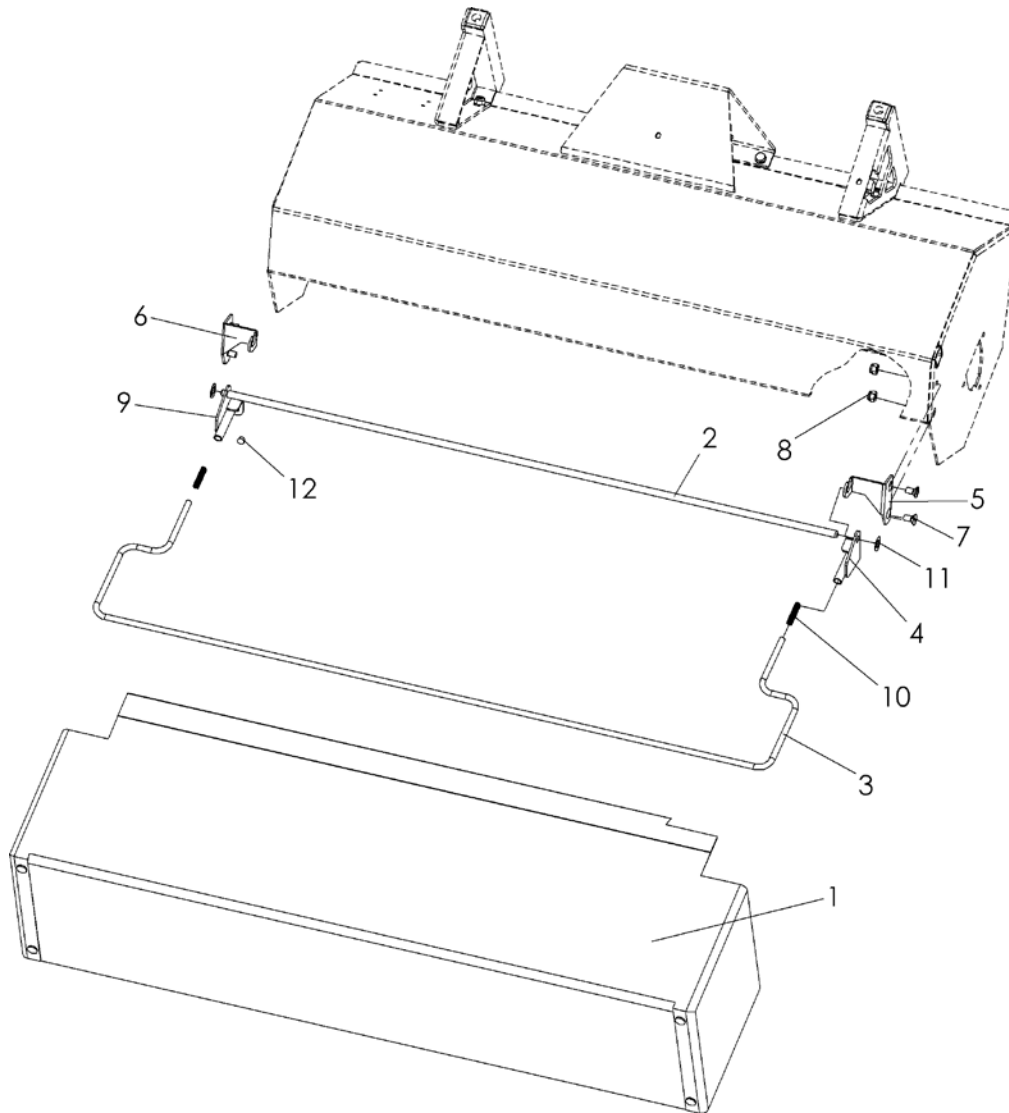
4.1.2 Dirt collection SSB 115 K for KM 11537 H-FKDR - C01553 R00

No.	Art.-No.	Num.	Designation
1	115 101 625	1	Dirt collection
2	926 301 076	2	Wheel
3	941 310 005	2	Handle
4	901 006 025	4	Skt.-screw without shank
5	905 206 018	4	K-disc
6	900 006 002	10	Stop Mother
7	905 108 000	8	Washer
8	712 115 116	1	Locking shaft
9	115 101 626	1	Retaining rail plastic container
10	712 115 115	1	Sealing rail
11	712 000 117	2	Container closure tube
12	712 000 120	2	Closure Klotz
13	712 000 122	1	Guide rail right
14	712 000 121	1	Guide rail left
15	901 208 016	4	Countersunk. with interior.
16	900 008 002	6	Stop Mother
17	901 012 180	2	Skt. Screw with shank
18	712 000 118	1	Lock lever collecting container
19	902 306 005	3	Grub screw
20	712 075 093	1	Lever holder counterpart
21	941 220 008	1	Ball button M8
22	903 606 020	6	Flat head screw with slot
23	903 608 020	2	Flat head screw with slot
24	912 900 101	1	Lever holder
25	903 603 016	2	Flat head screw with slot
26	900 003 002	2	Stop Mother
27	901 008 016	8	Skt.-screw without shank
28	905 008 000	8	Spring washer
29	900 008 001	8	Hexagon nut
30	700 000 151	2	Sticker height scale
31	900 012 002	2	Stop Mother
32	941 410 031	2	Handwheel
33	712 115 111	1	Rubber strip

4.1.3 Dirt collection SSB 125 K for KM 12537 H-FKDR - C01492 R00

No.	Art.-No.	Num.	Designation
1	125 101 625	1	Dirt collection
2	926 301 076	2	Wheel
3	941 310 005	2	Handle
4	901 006 025	4	Skt.-screw without shank
5	905 206 018	4	K-disc
6	900 006 002	10	Stop mother
7	905 108 000	8	Washer
8	712 125 116	1	Locking shaft
9	125 101 626	1	Retaining rail plastic container
10	712 125 115	1	Sealing rail
11	712 000 117	2	Container closure tube
12	712 000 120	2	closure Klotz
13	712 000 122	1	Guide rail right
14	712 000 121	1	Guide rail left
15	901 208 016	4	countersunk with interior.
16	900 008 002	6	Stop mother
17	901 012 180	2	Skt. Screw with shank
18	712 000 118	1	Lock lever collecting container
19	902 306 005	3	Grub screw
20	712 075 093	1	Lever holder counterpart
21	941 220 008	1	Ball button M8
22	903 606 020	6	Flat head screw with slot
23	903 608 020	2	Flat head screw with slot
24	912 900 101	1	Lever holder
25	903 603 016	2	Flat head screw with slot
26	900 003 002	2	Stop mother
27	901 008 016	8	Skt.-screw without shank
28	905 008 000	8	Spring washer
29	900 008 001	8	Hexagon nut
30	700 000 151	2	Sticker height scale
31	900 012 002	2	Stop mother
32	941 410 031	2	Handwheel
33	712 125 111	1	Rubber strip

4.2 Rubber splash flap



4.2.1 Rubber Splash Flap GUSPL 100 for KM 10037 H-FKDR - C01490 R00

No.	Art.-No.	Num.	Designation
1	712 100 094	1	Spray flaps FKM 1050
2	712 100 216	1	Upright
3	712 100 095	1	Carrying handle
4	712 000 129	1	Connecting plate, left
5	712 000 097	1	Holding plate, left
6	712 000 096	1	Retaining plate, right
7	901 208 016	4	Countersunk
8	900 008 002	5	Stop mother
9	712 000 128	1	Connecting plate, right
10	909 100 207	2	compression spring
11	906 510 000	2	Lock washer
12	943 700 910	2	Plug-in buffer, black

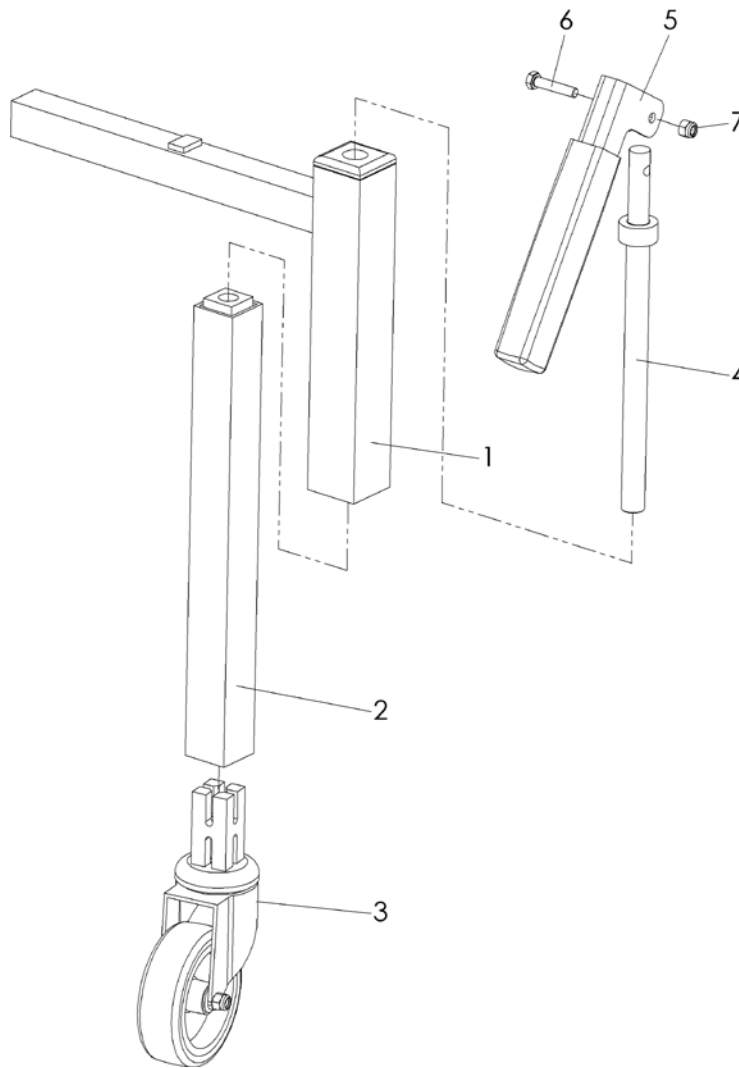
4.2.2 Rubber splash flap GUSPL 115 for KM 11537 H-FKDR - C01554 R00

No.	Art.-No.	Num.	Designation
1	712 115 094	1	mud flaps
2	712 115 216	1	Upright
3	712 115 095	1	carrying handle
4	712 000 129	1	Connecting plate, left
5	712 000 097	1	Holding plate, left
6	712 000 096	1	Retaining plate, right
7	901 208 016	4	countersunk
8	900 008 002	5	Stop mother
9	712 000 128	1	Connecting plate, right
10	909 100 207	2	compression spring
11	906 510 000	2	lock washer
12	943 700 910	2	Plug-in buffer, black

4.2.3 Rubber splash flap GUSPL 125 for KM 12537 H-FKDR - C01493 R00

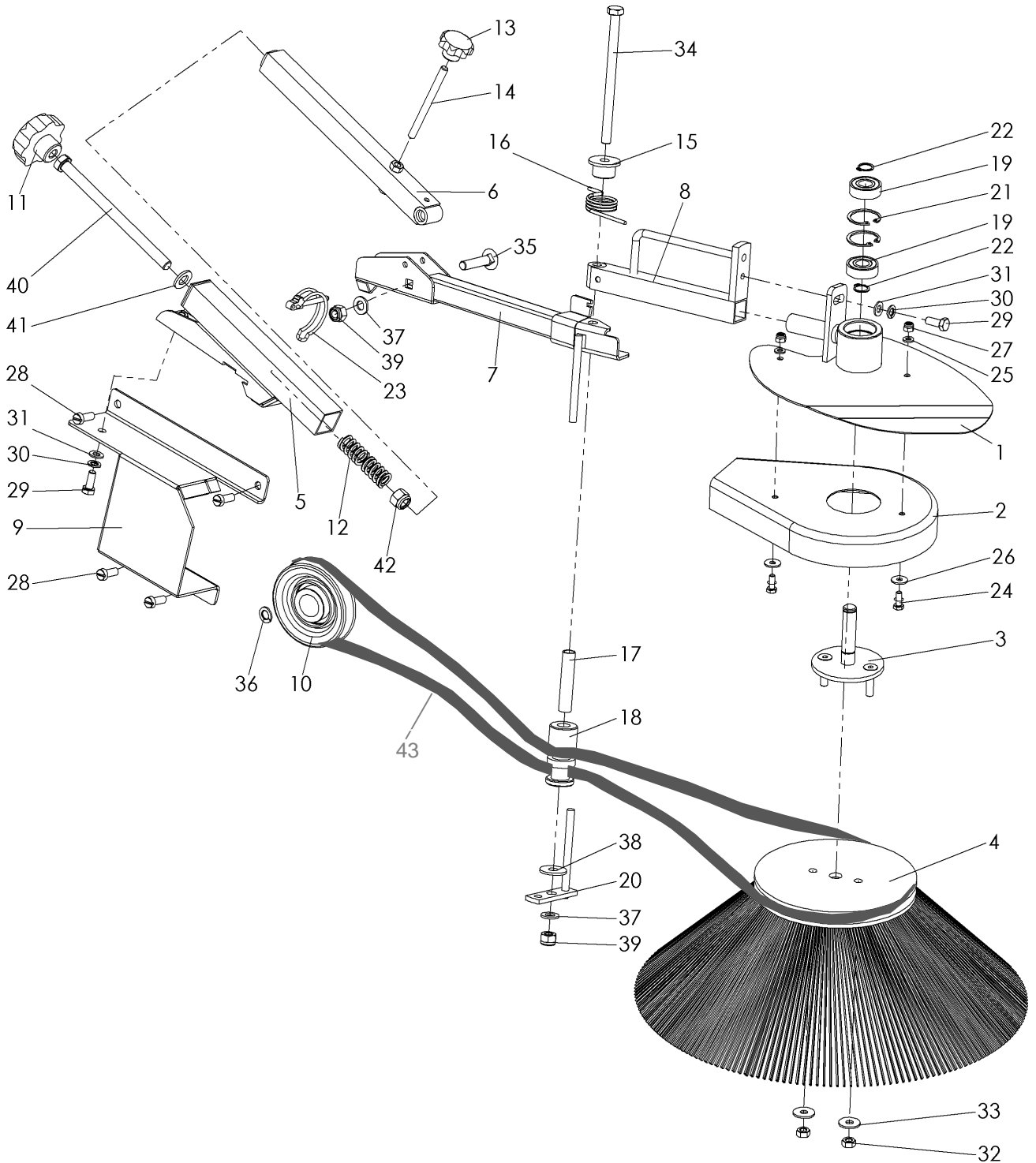
No.	Art.-No.	Num.	Designation
1	712 125 094	1	Mud flaps
2	712 125 216	1	Upright
3	712 125 095	1	Carrying handle
4	712 000 129	1	Connecting plate, left
5	712 000 097	1	Holding plate, left
6	712 000 096	1	Retaining plate, right
7	901 208 016	4	Countersunk
8	900 008 002	5	Stop mother
9	712 000 128	1	Connecting plate, right
10	909 100 207	2	Compression spring
11	906 510 000	2	Lock washer
12	943 700 910	2	Plug-in buffer, black

4.3 Jack stands AST 37 LR- C01989 R00



No.	Art.-No.	Num.	Designation
1	100 001 441	1	Parking support
2	135 000 443	1	Support inner tube
3	926 301 075	1	Support wheel with expander
4	100 000 490	1	Spindle
5	700 000 085	1	Hand lever
6	901 005 025	1	Skt.-screw without shank
7	900 005 002	1	Stop mother

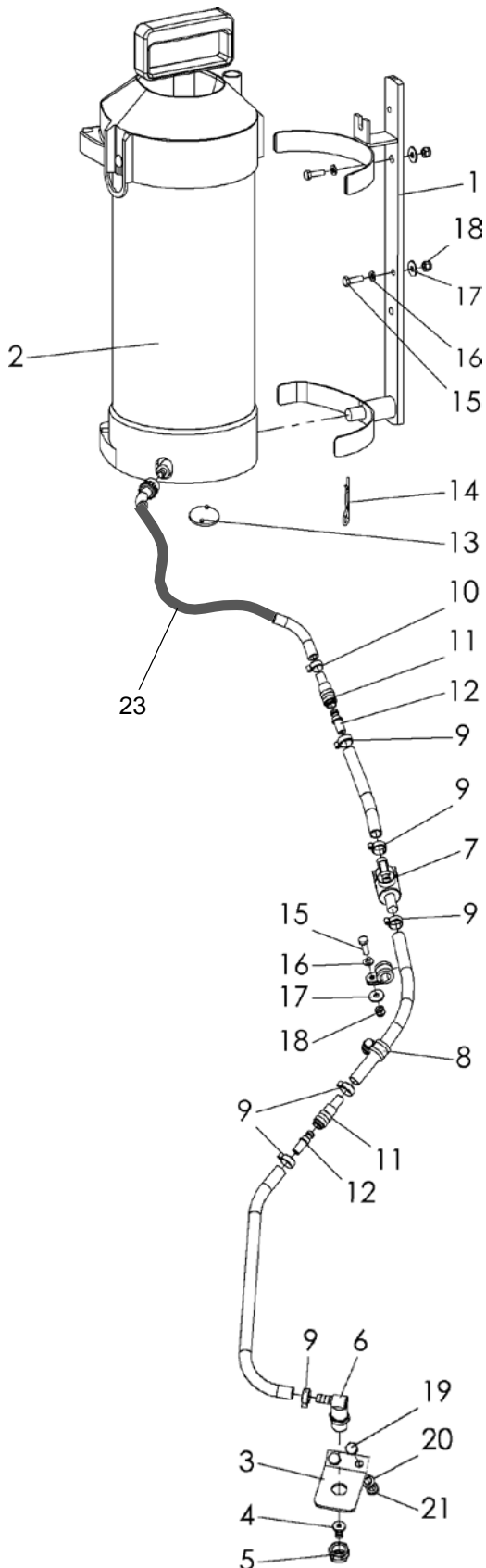
4.4 Attachment side brush - ASM 4032 / ASM 4037 - C00900 R00



4.5 Cultivation side brush - ASM 4032 / ASM 4037 - C00900 R00

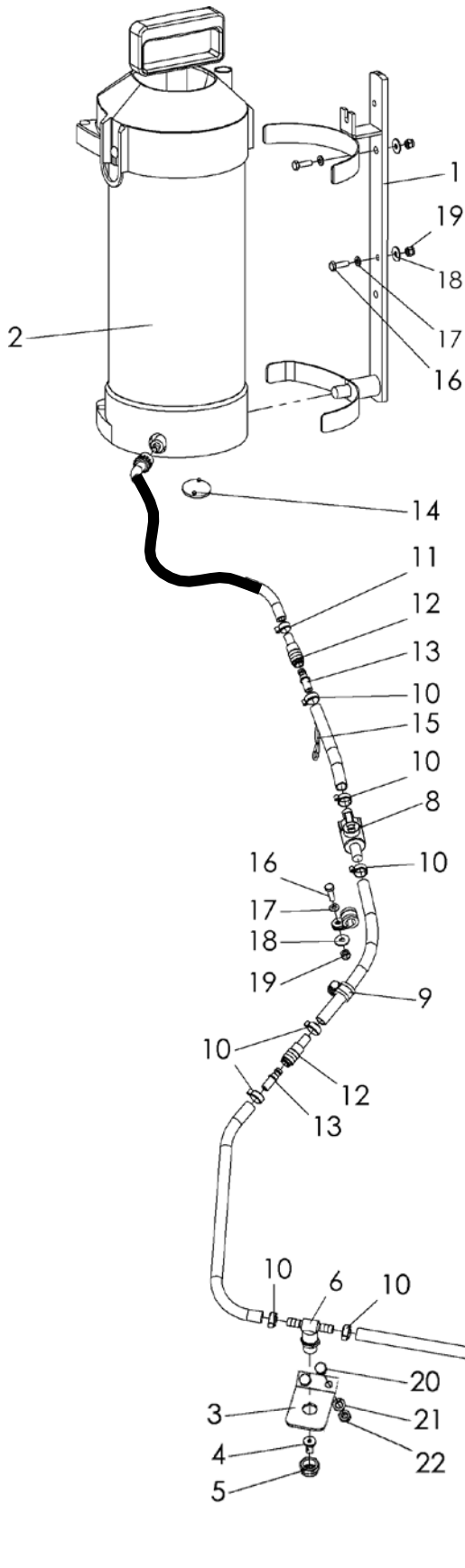
No.	Art.-No.	Num.	Designation
1	105 000 129	1	Pickup and collision protection side brush
2	105 000 130	1	Side brush guard
3	105 000 020	1	broom plate
4	105 000 025	1	Flat whisk
5	105 000 122	1	Side brush arm part 1
6	105 000 123	1	Side brush arm part 2
7	105 000 125	1	Side brush arm part 3
8	105 000 126	1	Side brush arm part 4
9	105 000 121	1	Side brush holder
10	105 000 120	1	Pulley
11	941 410 031	1	Star reached
12	909 103 288	2	Compression spring
13	941 210 008	1	Star reached
14	105 000 124	1	Threaded rod
15	105 000 127	1	Centering
16	909 300 462	1	Torsion spring
17	705 141 168	1	Pipe
18	105 000 128	1	V-belt idler
19	924 306 202	2	Ball-bearing
20	105 000 131	1	Belt guide
21	906 000 350	2	Circlip inside
22	905 915 000	2	Circlip outside
23	907 155 000	1	Pipe linch pin
24	901 006 016	2	Skt.-screw without shank
25	905 106 000	2	Washer
26	905 206 018	2	K-disc
27	900 006 002	2	Stop mother
28	903 608 020	4	Flat head screw with slot
29	901 008 020	2	Skt.-screw without shank
30	905 008 000	2	Spring washer
31	905 108 000	2	Washer
32	900 008 001	3	Hexagon nut
33	905 208 025	2	K-disc
34	901 110 150	1	Skt. Screw with shank
35	901 910 045	1	Carriage bolt
36	905 010 000	1	Spring washer
37	905 110 000	2	Washer
38	905 210 000	1	K-disc
39	900 010 002	2	Stop mother
40	901 112 180	1	Skt. Screw with shank
41	905 112 000	1	Washer
42	900 012 002	1	Stop mother
43	921 110 185	1	Fan belt

4.6 Water-jet device WAS 51 KM - C01818 R00







No.	Art.-No.	Num.	Designation
1	050 000 010	1	Mounting frame water barrel 5l
2	961 050 229	1	Water barrel 5 ltr. Compl.
3	106 000 001	1	Holding plate water nozzle
4	961 060 015	1	Water nozzle
5	961 061 325	1	Nut
6	961 066 472	1	Elbow
7	961 020 002	1	Stopcock
8	908 618 015	2	Pipe clamp
9	908 300 138	6	Pipe clamp
10	908 300 165	1	Pipe clamp
11	961 040 026	2	Coupling for hose
12	961 030 017	2	Plug for water sprinkler
13	961 507 490	1	Cup seal
14	907 002 001	1	Cotter pin
15	901 006 020	4	Skt.-screw without shank
16	905 106 000	4	Washer
17	905 206 018	4	K-disc
18	900 006 002	4	Stop mother
19	901 008 016	2	Skt.-screw without shank
20	905 008 000	2	Spring washer
21	900 008 002	2	Stop mother
23	961 010 101	2m	Water hose - only available in meter lengths!

4.7 Water-jet device WAS 52 KM - C01795 R00



No.	Art.-No.	Num.	Designation
1	050 000 010	1	Mounting frame water barrel 5l
2	961 050 229	1	Water barrel 5 ltr. Compl.
3	106 000 001	2	Holding plate water nozzle
4	961 060 015	2	Water nozzle
5	961 061 325	2	Nut
6	961 066 472	1	Tee
7	961 066 471	1	Elbow
8	961 020 002	1	Stopcock
9	908 618 015	2	Pipe clamp
10	908 300 138	8	Pipe clamp
11	908 300 165	1	Pipe clamp
12	961 040 026	2	Coupling for hose
13	961 030 017	2	Plug for water sprinkler
14	961 507 490	1	Cup seal
15	907 002 001	1	Cotter pin
16	901 006 020	4	Skt.-screw without shank
17	905 106 000	4	Washer
18	905 206 018	4	K-disc
19	900 006 002	4	Stoppmutter
20	901 008 016	4	Skt.-screw without shank
21	905 008 000	4	Spring washer
22	900 008 002	4	Stoppmutter
23	961 010 101	2m	Water hose - only available in meter lengths!

4.8 Sweeping rollers: diameter 37cm

Picture	Description	Order no.
	<p>Dirt broom With poly full trimming</p> <p>for KM 10037 H-FKDR for KM 11537 H-FKDR for KM 12537 H-FKDR</p>	<p>100 516 037 115 516 037 125 516 037</p>
	<p>Dirt roll mixed With poly / corrugated wire trimming (50% each)</p> <p>for KM 10037 H-FKDR for KM 11537 H-FKDR for KM 12537 H-FKDR</p>	<p>100 516 537 115 516 537 125 516 537</p>
	<p>Combination broom With 5-row Polly twist trim</p> <p>for KM 10037 H-FKDR for KM 11537 H-FKDR for KM 12537 H-FKDR</p>	<p>100 510 037 115 510 037 125 510 037</p>
	<p>Snow broom</p> <p>for KM 10037 H-FKDR for KM 11537 H-FKDR for KM 12537 H-FKDR</p>	<p>100 508 037 115 508 037 125 508 037</p>

Kersten

SITE MAINTENANCE EQUIPMENT

Distributed in UK by
Kersten (UK) Ltd Tel. 0118 986 9253

Progress House
39 Boulton Road Reading, RG2 0NH
www.kerstenuk.com - info@kerstenuk.com