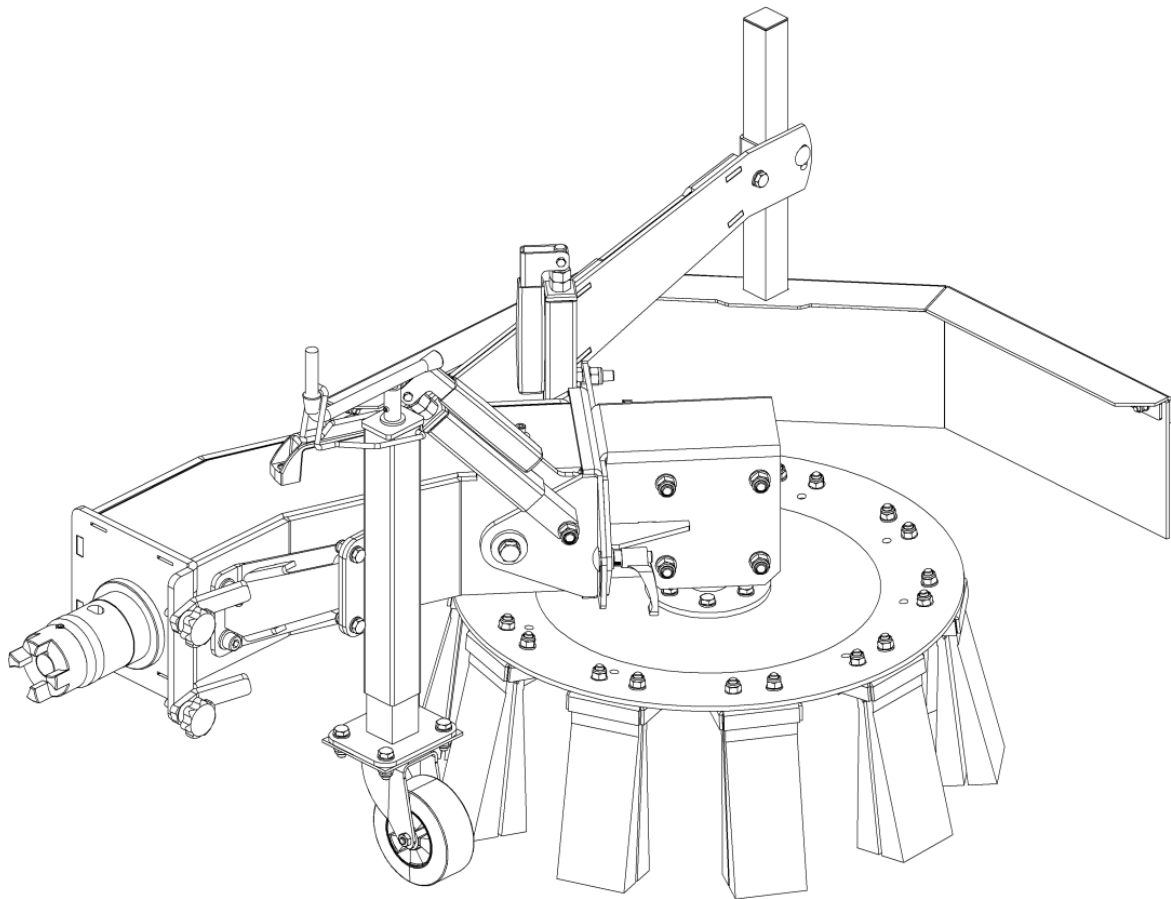




Spare Part List

WKB 60 M-U 70



Product Number: E00075 From machine - No.: Rev.: R02 Data: 25.01.16



Manufactures by
Kersten Arealmaschinen GmbH
Empeler Straße 95
D - 46459 Rees
www.kersten-maschinen.de

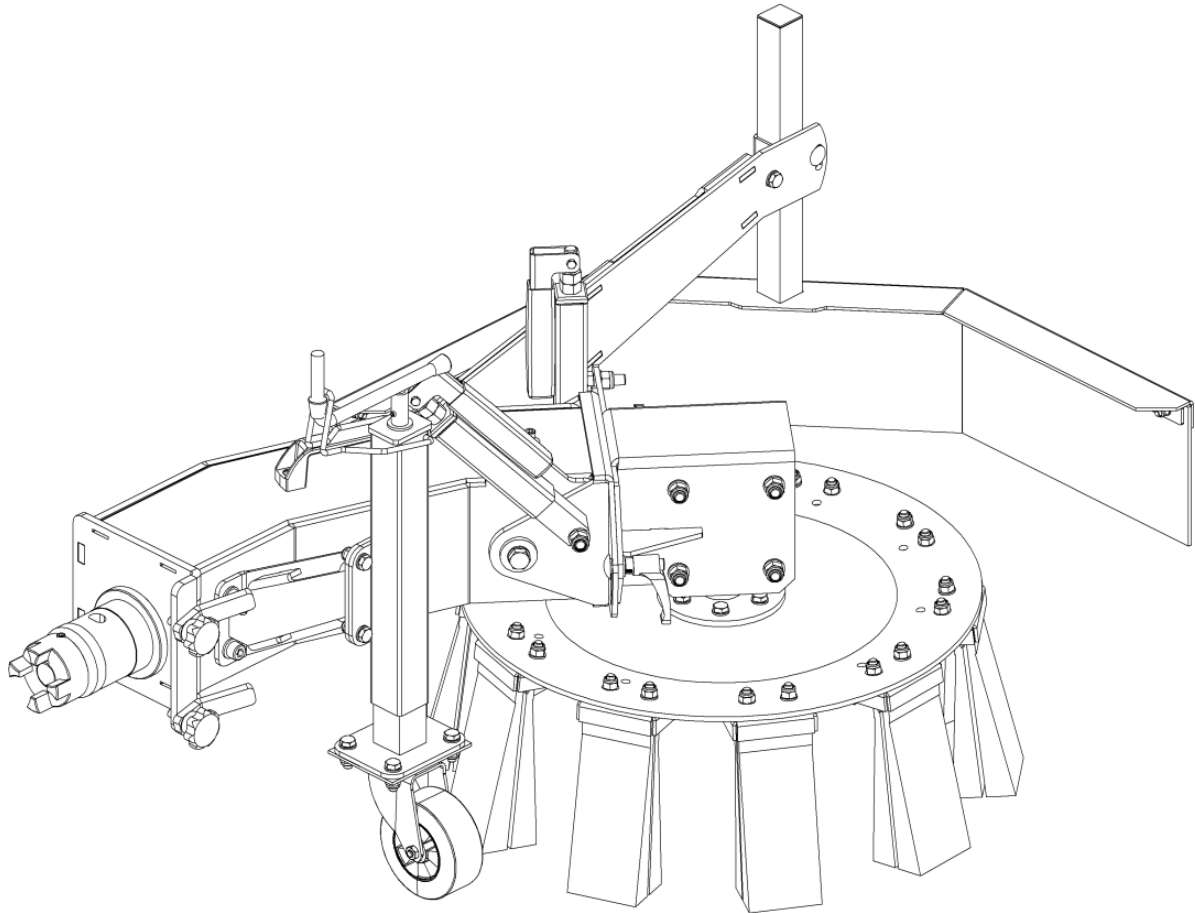


Distributed in UK by
Kersten (UK) Ltd Tel. 0118 986 9253
Progress House 39 Boulton Road
Reading, RG2 0NH
www.kerstenuk.com - info@kerstenuk.com

Table of Contents

1	Model overview	2
1.1	Weedbrush WKB 60 M-U 70 - C03959 R01	2
2	Overview of assemblies	3
2.1	Basic housing assembly WKB 60 M-U 70 - C03961 R01	3
2.2	Base housing assembly Ø 500mm – C03958 R01	5
2.3	Support cases WKB 60 M-U 70 C03962 R00	6
3	Equipment	7
3.1	Weight with holder WKB 60 M-U 70- C04030 R00	7

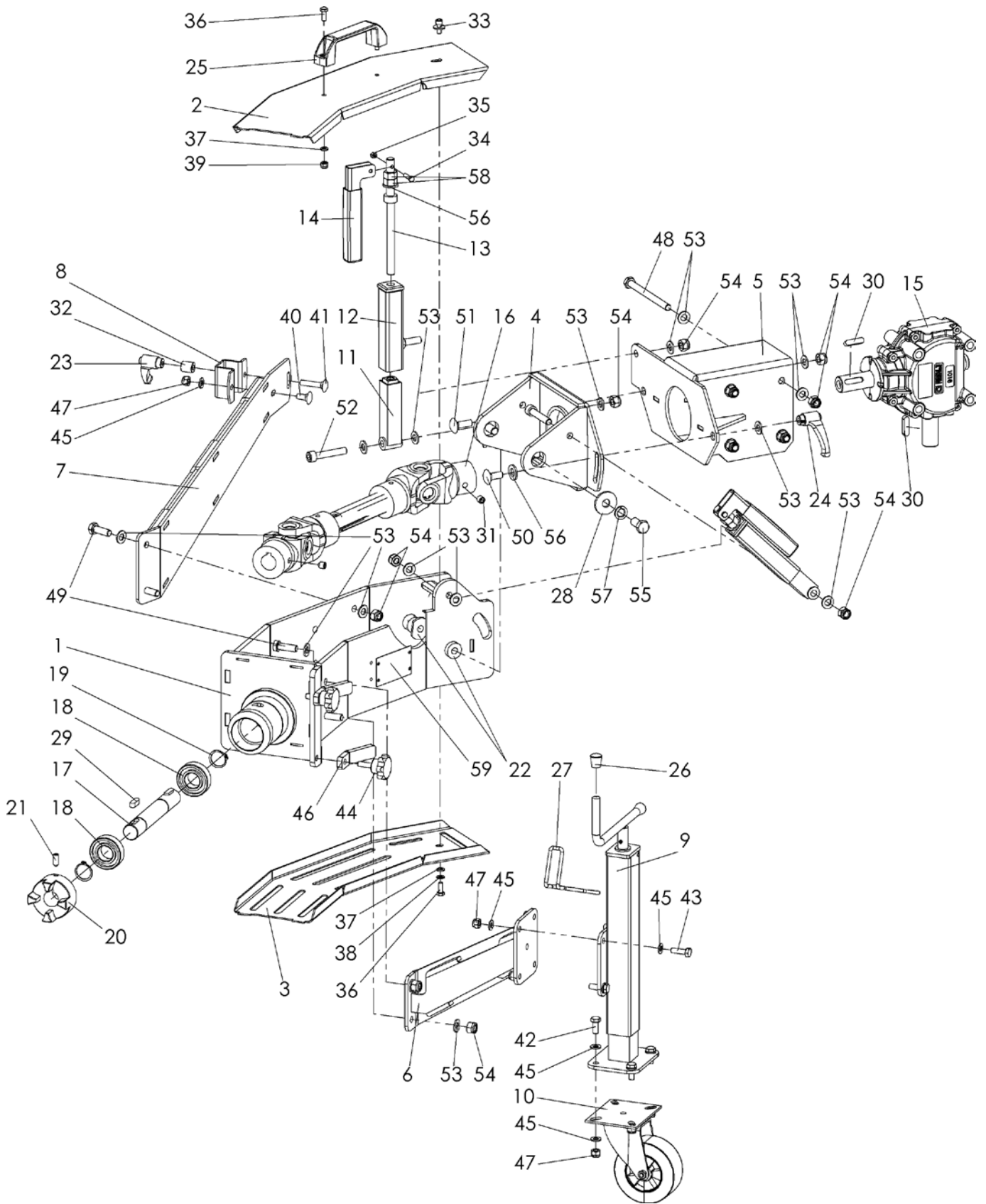
1 Model overview



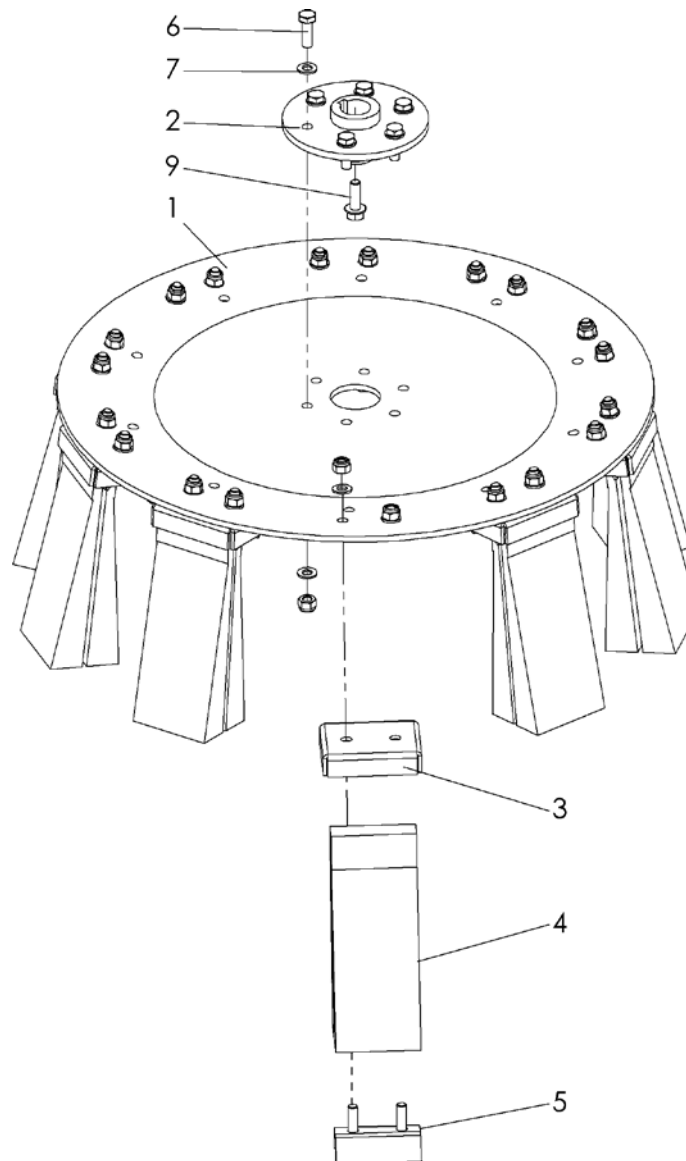
1.1 Weedbrush WKB 60 M-U 70 - C03959 R01

No	Art.-Num.	Qty.	Description
1	C03961 R01	1	Basic housing, assembly
2	C03958 R01	1	Brush plate
3	C03962 R00	1	Splash protection

2.1 Model overview WKB 60 M-U 70 - C03961 R01

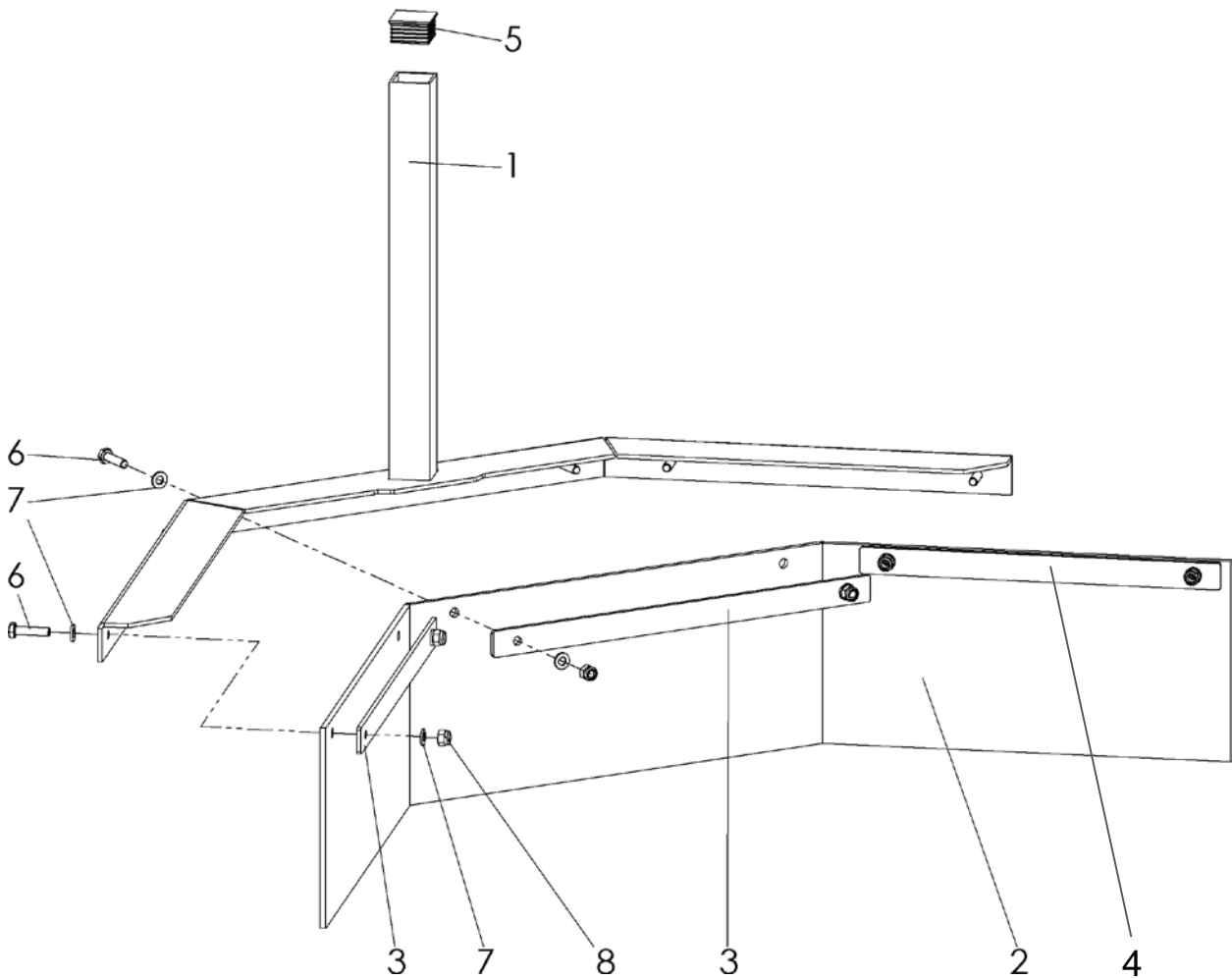


No	Art.-Num.	Qty.	Description
1	C03197	1	Basic frame
2	C02208	1	Cover up
3	C02382	1	Cover down
4	C02207	1	Swivel frames
5	C03826	1	Gear holder complete
6	C02268	1	Support wheel holder
7	C03830	1	Splash protection holder complete
8	C03517	1	Tube clamp
9	C00205	1	Parking support, right
10	926 302 135	1	Wheel
11	700 000 141	2	Adjustment element at the bottom
12	700 000 140	2	Adjustment element on top
13	700 000 081	2	Threaded spindle
14	700 000 085	2	Hand lever
15	922 201 000	1	Angular gear
16	923 000 032	1	Joint shaft
17	C03448	1	drive shaft
18	924 106 205	2	Groove ball bearing
19	905 925 000	2	Fuse ring outside
20	925 301 025	1	Clutch claw
21	902 308 020	1	Cornucopia
22	C02383	2	Bearing bush
23	941 200 100	1	Clamping lever M8
24	941 200 210	1	Clamping lever
25	941 310 005	1	Handle
26	942 003 003	2	protective cap
27	942 003 002	1	Retaining clip
28	905 212 001	2	K- disc
29	908 008 725	2	Adjusting spring
30	908 008 732	2	Adjusting spring
31	902 310 012	2	Cornucopia
32	C04327	1	Sleeve
33	903 970 616	1	Captive cyl. Screw
34	901 005 020	2	Skt.-screw without shank
35	900 005 001	2	Skt.Nut
36	901 006 016	3	Skt.- Screw without shank
37	905 106 000	3	U- disc
38	905 006 000	1	Spring ring
39	900 006 002	2	Stop nut
40	901 908 020	1	Lock screw
41	901 908 040	1	Lock screw
42	901 008 020	4	Skt.-screw without shank
43	901 008 025	4	Skt.-screw without shank
44	941 241 040	2	Star grip
45	905 108 000	18	U- disc
46	C04916	2	Clamping lever
47	900 008 002	9	Stop nut
48	901 110 125	4	Skt.-screw with shank
49	901 010 030	4	Skt.-screw without shank
50	901 910 025	1	Lock screw
51	901 910 030	1	Lock screw
52	901 810 055	2	Cylinder screw with internal
53	905 110 000	25	U disk
54	900 010 002	13	Stop nut
55	901 012 025	2	Skt.-screw without shank
56	905 112 000	4	U disk
57	905 012 000	2	Spring ring
58	900 012 001	4	Nut
59	auf Anfrage	1	Name plate

2.2 Brush Plate Ø 500mm – C03958 R01


No	Art.-Num.	Qty.	Description
1	C04316	1	Brush plate
2	C03832	1	Building land
3	700 000 132	10	Brush holder
4	700 000 135	10	brush
5	700 001 133	10	Clamps
6	901 008 025	6	Skt.-screw without shank
7	905 108 000	32	U- disc
8	900 008 002	26	Stop Nut
9	903 308 025	1	Locking screw

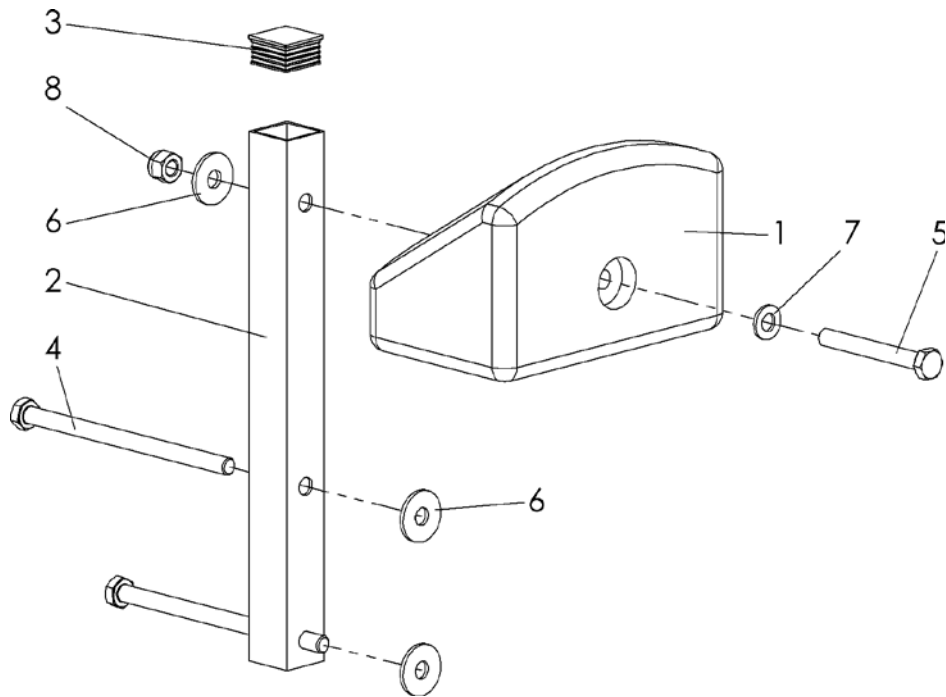
2.3 Splash protection WKB 60 M-U 70 C03962 R00



No	Art.-Num.	Qty.	Description
1	C03066	1	Splash protection frame complete
2	C03963	1	Rubber spraying lugs
3	C03854	2	Counter screw strip
4	C03853	1	Counter screw strip
5	943 130 302	1	Protective cap
6	901 006 020	6	Skt.- Screw without shank
7	905 106 000	12	U-Disk
8	900 006 002	6	Stop nut

3 Accessories

3.1 Weight with holder WKB 60 M-U 70 - C04030 R00



No	Art.-Num.	Qty.	Description
1	945 000 002	1	Suitcase weight
2	945 700 002	1	UB-holder for weight
3	943 130 302	1	protective cap
4	901 110 160	2	Skt.- Screw with shank
5	901 110 080	1	Skt.- Screw with shank
6	905 210 000	3	K-Disk
7	905 110 000	1	U-Disk
8	900 010 002	1	Stop nut

Kersten

SITE MAINTENANCE EQUIPMENT

Distributed in UK by
Kersten (UK) Ltd Tel. 0118 986 9253

Progress House
39 Boulton Road Reading, RG2 0NH
www.kerstenuk.com - info@kerstenuk.com