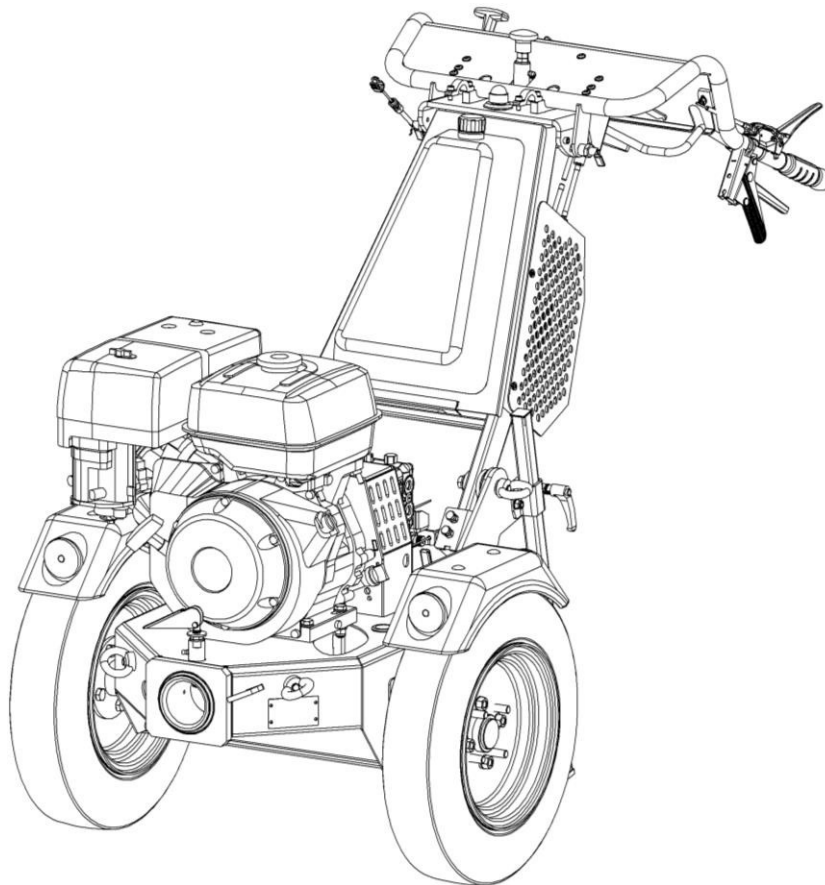




Spare part list

Hydrostatic Two wheel Tractor

UBS Hydro II - Standard



Order number: E00102 from machine no.:62193 Rev.: R02 Stand: 07.11.2018



Manufactured by
Kersten Arealmaschinen GmbH
Empeler Straße 95
D - 46459 Rees
www.kersten-maschinen.de



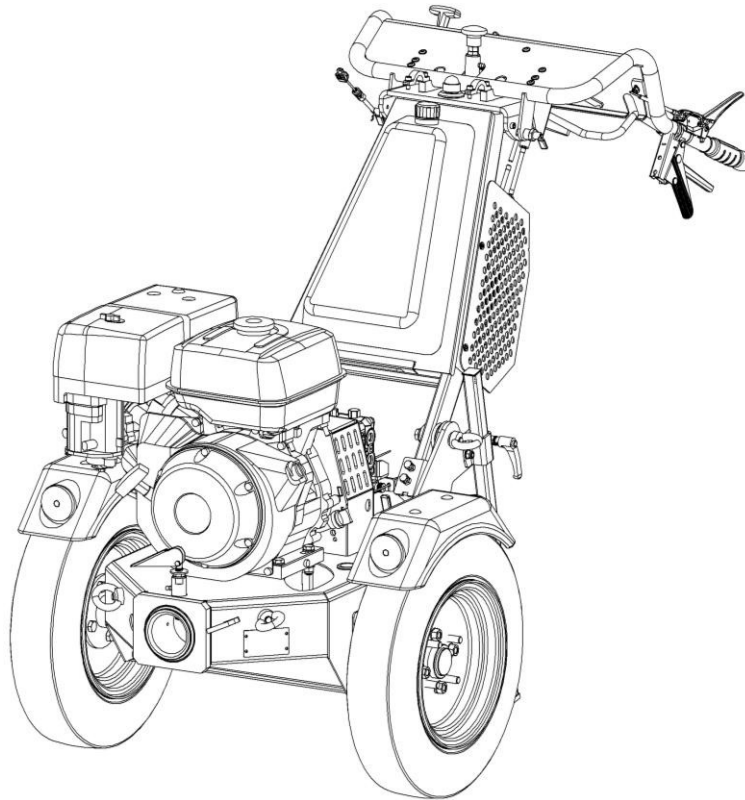
Distributed in UK by
Kersten (UK) Ltd Tel. 0118 986 9253
Progrees House
39 Boulton Road Reading, RG2 0NH
www.kerstenuk.com - info@kerstenuk.com

Contents

Contents

1	MODEL OVERVIEW	2
1.1	UBS HYDRO II 13 G - C07005 R00	2
1.2	UBS HYDRO II 14 G - C07329 R01	2
1.3	UBS HYDRO II 14 GE - C07330 R01	3
1.4	UBS HYDRO II 16 G - C07331 R01	3
1.5	UBS HYDRO II 16 GE - C07332 R01	3
2	ASSEMBLY OVERVIEW	4
2.1	UBS HYDRO II (STANDARD) WITH HONDA ENGINE ASSEMBLY - C07004 R00	4
2.2	UBS HYDRO II (STANDARD) WITH B & S ENGINE ASSEMBLY - C07337 R00	6
2.3	BASIC HOUSING UBS HYDRO II (STANDARD) - C07006 R00	8
2.4	UBS HYDRO II DRIVE TRAY WITH HONDA MOTOR - C06853 R00	10
2.5	TRANSMISSION TRAIN FOR UBS HYDRO II WITH B & S ENGINE - C07336 R01	12
2.6	AXLE SUPPORT UBS HYDRO II -C07039 R00	15
2.7	GUIDEHOLM WITHOUT SWIVEL CONSOLE WITH TANK UBS HYDRO II - C06943 R00	16
2.8	HYDRAULIC CONTROL UBS HYDRO II (STANDARD) - C07071 R01	18
2.9	USER CONSOLE FOR UBS HYDRO II (STANDARD) - C07109 R00	20
2.10	HYDRAULIC KIT UBS HYDRO II –C06946 R00	23
2.11	ELECTRICAL COMPONENTS UBS HYDRO II –C07413 R00	25
2.12	E-START FOR UBS HYDRO II -C00808 R01	26
2.13	BATTERY FOR B & S MOTOR WITHOUT E-START FOR UBS HYDRO II – C07425 R00	27
3	MISCELLANEOUS	28
3.1	TIRE AND WHEEL HUB LIST –D00001 R03.....	28

1 Model Overview



1.1 UBS Hydro II 13 G - C07005 R00

No.	Art.-Num.	Nu.	Designation
1	C07004 R00	1	UBS Hydro II (standard) assembly
2	920 000 023	1	Honda engine
3	C07006 R00	1	Basic housing for UBS Hydro II (standard)
4	C06853 R00	1	Driveline for UBS Hydro II with Honda engine
5	C07039 R00	1	Axle carrier UBS Hydro II
6	C06943 R00	1	Guide rail without swivel bracket with tank
7	C07071 R01	1	Hydraulic control UBS Hydro II
8	C07109 R00	1	Control console UBS Hydro II
9	C06946 R00	1	Hydraulic kit UBS Hydro II
10	C07413 R00	1	Electrical components UBS Hydro II

1.2 UBS Hydro II 14 G - C07329 R01

No.	Art.-Num.	Nu.	Designation
1	C07337 R00	1	UBS Hydro II with B & S engine (standard) assembly
2	C07333	1	B & S engine (920 000 114)
3	C07006 R00	1	Basic housing for UBS Hydro II (standard)
4	C07336 R01	1	Driveline for UBS Hydro II with B & S engine
5	C07039 R00	1	Axle carrier UBS Hydro II
6	C06943 R00	1	Guide rail without swivel bracket with tank
7	C07071 R01	1	Hydraulic control UBS Hydro II
8	C07109 R00	1	Control console UBS Hydro II
9	C06946 R00	1	Hydraulic kit UBS Hydro II
10	C07413 R00	1	Electrical components UBS Hydro II
11	C07425 R00	1	E-Start UBS Hydro II

1.3 UBS Hydro II 14 GE - C07330 R01

No.	Art.-Num.	Nu.	Designation
1	C07337 R00	1	UBS Hydro II with B & S engine (standard) assembly
2	920 000 115	1	B & S engine with electric start
3	C07006 R00	1	Basic housing for UBS Hydro II (standard)
4	C07336 R01	1	Driveline for UBS Hydro II with B & S engine
5	C07039 R00	1	Axle carrier UBS Hydro II
6	C06943 R00	1	Guide rail without swivel bracket with tank
7	C07071 R01	1	Hydraulic control UBS Hydro II
8	C07109 R00	1	Control console UBS Hydro II
9	C06946 R00	1	Hydraulic kit UBS Hydro II
10	C07413 R00	1	Electrical components UBS Hydro II
11	C00808 R01	1	E-Start UBS Hydro II

1.4 UBS Hydro II 16 G - C07331 R01

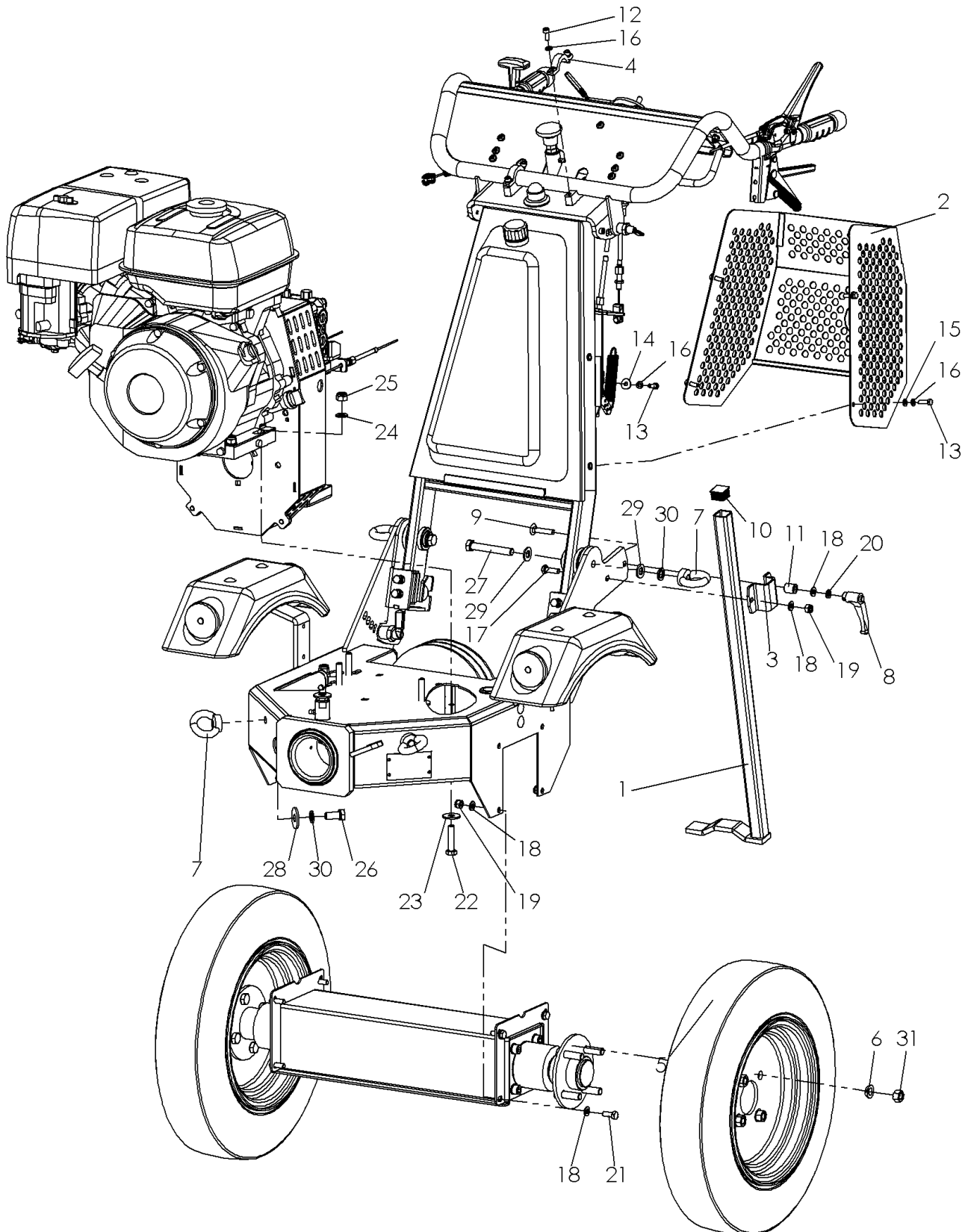
No.	Art.-Num.	Nu.	Designation
1	C07337 R00	1	UBS Hydro II with B & S engine (standard) assembly
2	C07333	1	B & S engine (920 000 114)
3	C07006 R00	1	Basic housing for UBS Hydro II (standard)
4	C07336 R01	1	Driveline for UBS Hydro II with B & S engine
5	C07039 R00	1	Axle carrier UBS Hydro II
6	C06943 R00	1	Guide rail without swivel bracket with tank
7	C07071 R01	1	Hydraulic control UBS Hydro II
8	C07109 R00	1	Control console UBS Hydro II
9	C06946 R00	1	Hydraulic kit UBS Hydro II
10	C07413 R00	1	Electrical components UBS Hydro II
11	C07425 R00	1	E-Start UBS Hydro II

1.5 UBS Hydro II 16 GE - C07332 R01

No.	Art.-Num.	Nu.	Designation
1	C07337 R00	1	UBS Hydro II with B & S engine (standard) assembly
2	920 000 008	1	B & S engine with electric start
3	C07006 R00	1	Basic housing for UBS Hydro II (standard)
4	C07336 R01	1	Driveline for UBS Hydro II with B & S engine
5	C07039 R00	1	Axle carrier UBS Hydro II
6	C06943 R00	1	Guide rail without swivel bracket with tank
7	C07071 R01	1	Hydraulic control UBS Hydro II
8	C07109 R00	1	Control console UBS Hydro II
9	C06946 R00	1	Hydraulic kit UBS Hydro II
10	C07413 R00	1	Electrical components UBS Hydro II
11	C00808 R01	1	E-Start UBS Hydro II

2 Overview of Modules

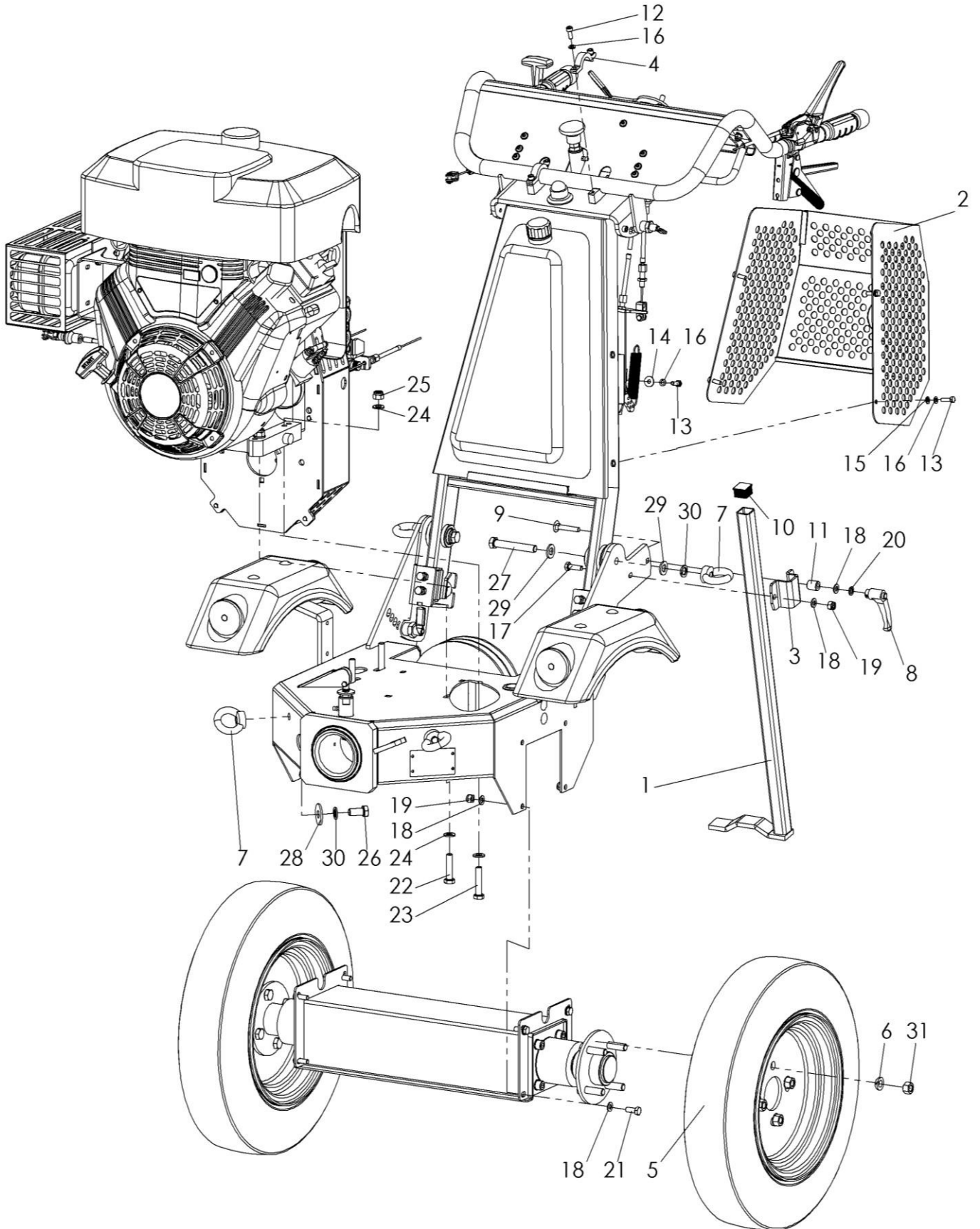
2.1 UBS Hydro II (standard) with Honda engine assembly - C07004 R00



UBS Hydro II (standard) with Honda engine assembly - C07004 R00

No.	Art.-Num.	Nu.	Designation
1	C05325	1	Parking support
2	C06944	1	Hood UBS Hydro
3	C05317	1	Pipe clamp
4	C06491	2	Pipe clamp
5	926 110 410	2	Tire
6	905 712 000	8	Limes ring
7	900 012 017	4	Ring nut
8	941 200 100	1	Clamping lever M8
9	901 908 045	1	Carriage bolt
10	943 125 252	1	Protective cap
11	C04327	1	Shell
12	901 806 016	4	Cheese head screw
13	901 006 020	7	Skt.-screw without shank
14	905 206 025	3	K-disc
15	905 106 000	4	Washer
16	905 006 000	12	Spring washer
17	901 008 025	1	Skt.-screw without shank
18	905 108 000	19	Washer
19	900 008 002	9	Stop mother
20	905 008 000	1	Spring washer
21	901 008 020	8	Skt.-screw without shank
22	901 110 045	5	Skt. Screw with shank
23	905 210 000	5	K-disc
24	905 110 000	5	Washer
25	900 010 002	5	Stop mother
26	901 012 025	2	Skt.-screw without shank
27	901 012 080	2	Skt. Screw with shank
28	905 212 001	2	K-disc
29	905 112 000	5	Washer
30	905 012 000	3	Spring washer
31	900 012 001	8	Hexagon nut

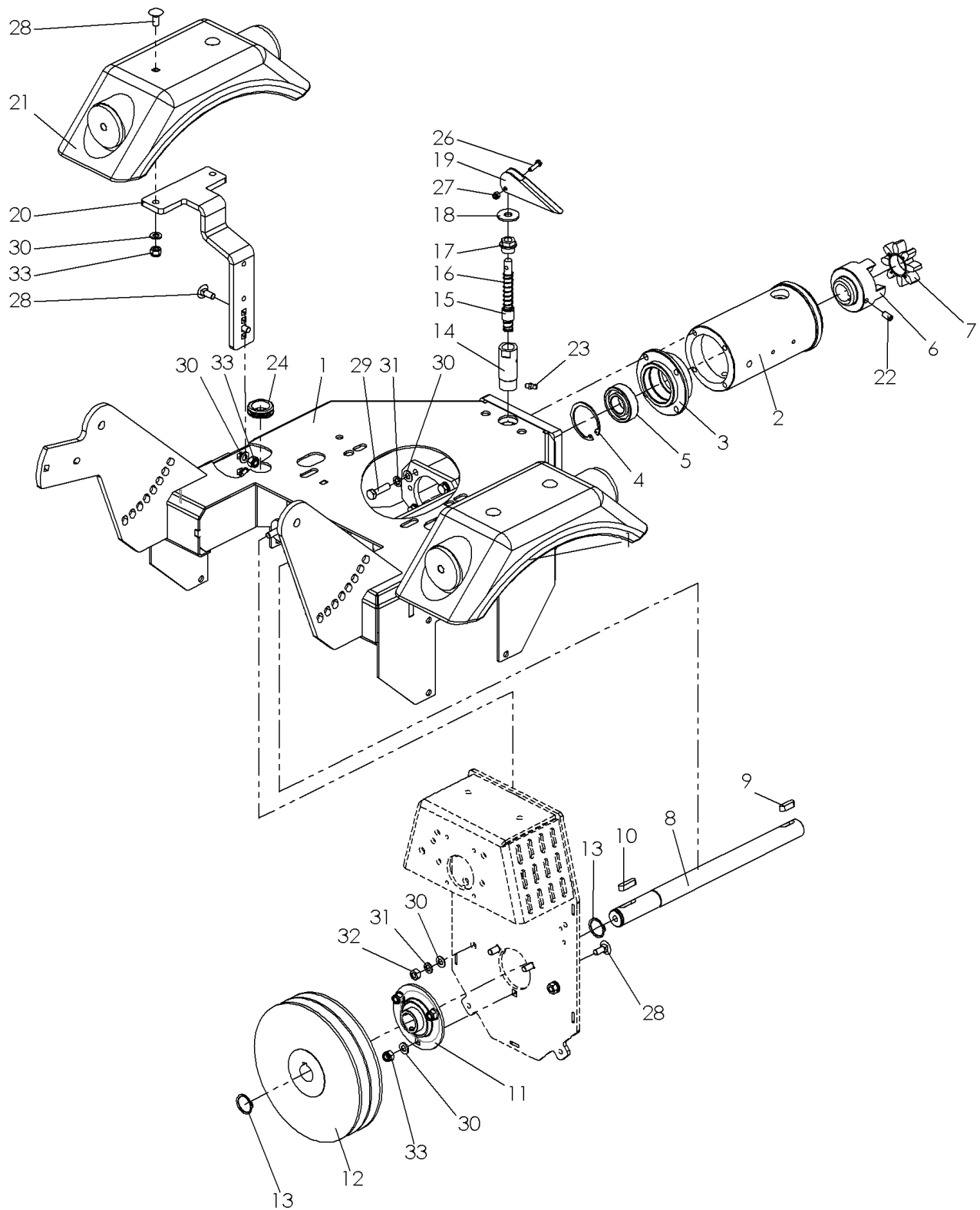
2.2 UBS Hydro II (standard) with B & S engine assembly - C07337 R00



UBS Hydro II (standard) with B & S engine assembly

No.	Art.-Num.	Nu.	Designation
1	C05325	1	Parking support
2	C06944	1	Hood UBS Hydro
3	C05317	1	Pipe clamp
4	C06491	2	Pipe clamp
5	926 110 410	2	Tire
6	905 712 000	8	Limes ring
7	900 012 017	4	Ring nut
8	941 200 100	1	Clamping lever M8
9	901 908 040	1	Carriage bolt
10	943 125 252	1	Protective cap
11	C04327	1	Shell
12	901 806 016	4	Cheese head screw
13	901 006 020	7	Skt.-screw without shank
14	905 206 025	3	K-disc
15	905 106 000	4	Washer
16	905 006 000	12	Spring washer
17	901 008 025	1	Skt.-screw without shank
18	905 108 000	19	Washer
19	900 008 002	9	Stop mother
20	905 008 000	1	Spring washer
21	901 008 020	8	Skt. screw without shank
22	901 110 045	2	Skt. Screw with shank
23	901 110 050	2	Skt. Screw with shank
24	905 110 000	9	Washer
25	900 010 002	4	Stop mother
26	901 012 025	2	Skt.-screw without shank
27	901 012 080	2	Skt. Screw with shank 10.9
28	905 212 001	2	K-disc
29	905 112 000	5	Washer
30	905 012 000	3	Spring washer
31	900 012 001	8	Hexagon nut

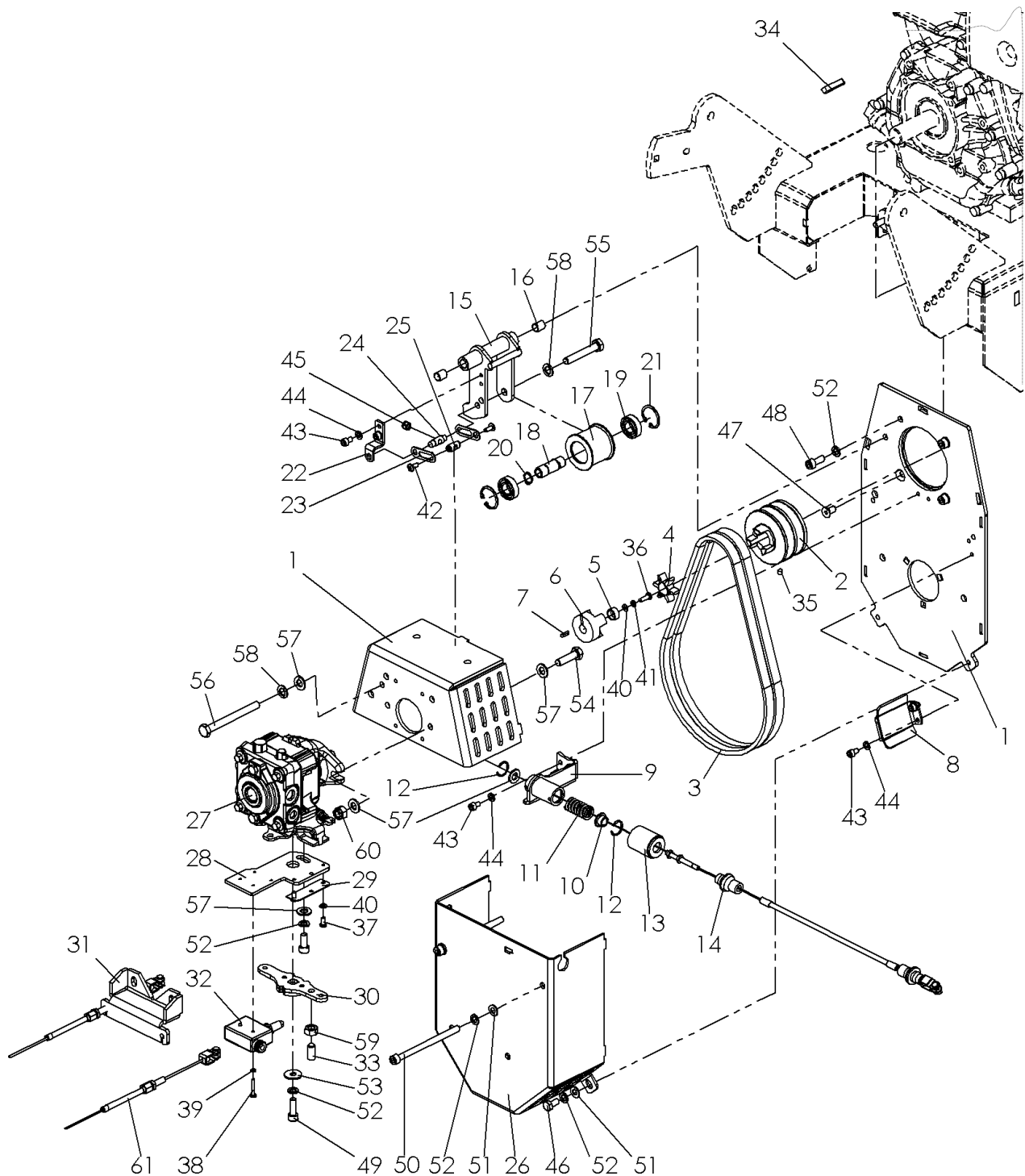
2.3 Basic housing UBS Hydro II (standard) - C07006 R00



Basic housing UBS Hydro II (standard) - C07006 R00

No.	Art.-Num.	Nu.	Designation
1	C07038	1	Basic housing UBS Hydro standard
2	C04978	1	AC receiving tube
3	C04979	1	Lagerflansch
4	906 000 520	1	Circlip inside
5	924 106 205	1	Deep groove ball bearings
6	925 301 025	1	Coupling claw
7	925 302 098.1	1	Coupling driver
8	C06493	1	Power take off shaft
9	908 008 725	1	Adjusting spring
10	908 008 730	1	Adjusting spring
11	924 041 205	1	Bearing
12	921 240 201	1	Pulley
13	905 925 000	2	Circlip outside
14	C05001	1	Snap-on pin tube can be screwed
15	700 000 170	1	Locking pin
16	909 100 189	1	Compression spring
17	700 000 171	1	Screw
18	905 210 000	1	K-disc
19	700 000 172	1	Safety lever
20	C04443	2	Holder fender
21	926 900 002	2	Fender
22	902 308 016	1	Grub screw
23	910 006 000	1	Grease nipple
24	908 706 666	1	Cable grommet
25	auf Anfrage	1	Nameplate
26	901 005 020	1	Skt.-screw without shank
27	900 005 002	1	Stop mother
28	901 908 020	11	Carriage bolt
29	901 008 030	4	Skt.-screw without shank
30	905 108 000	17	Washer
31	905 008 000	6	Spring washer
32	900 008 001	2	Hexagon nut
33	900 008 002	11	Stop mother

2.4 Driveline for UBS Hydro II with Honda engine - C06853 R00

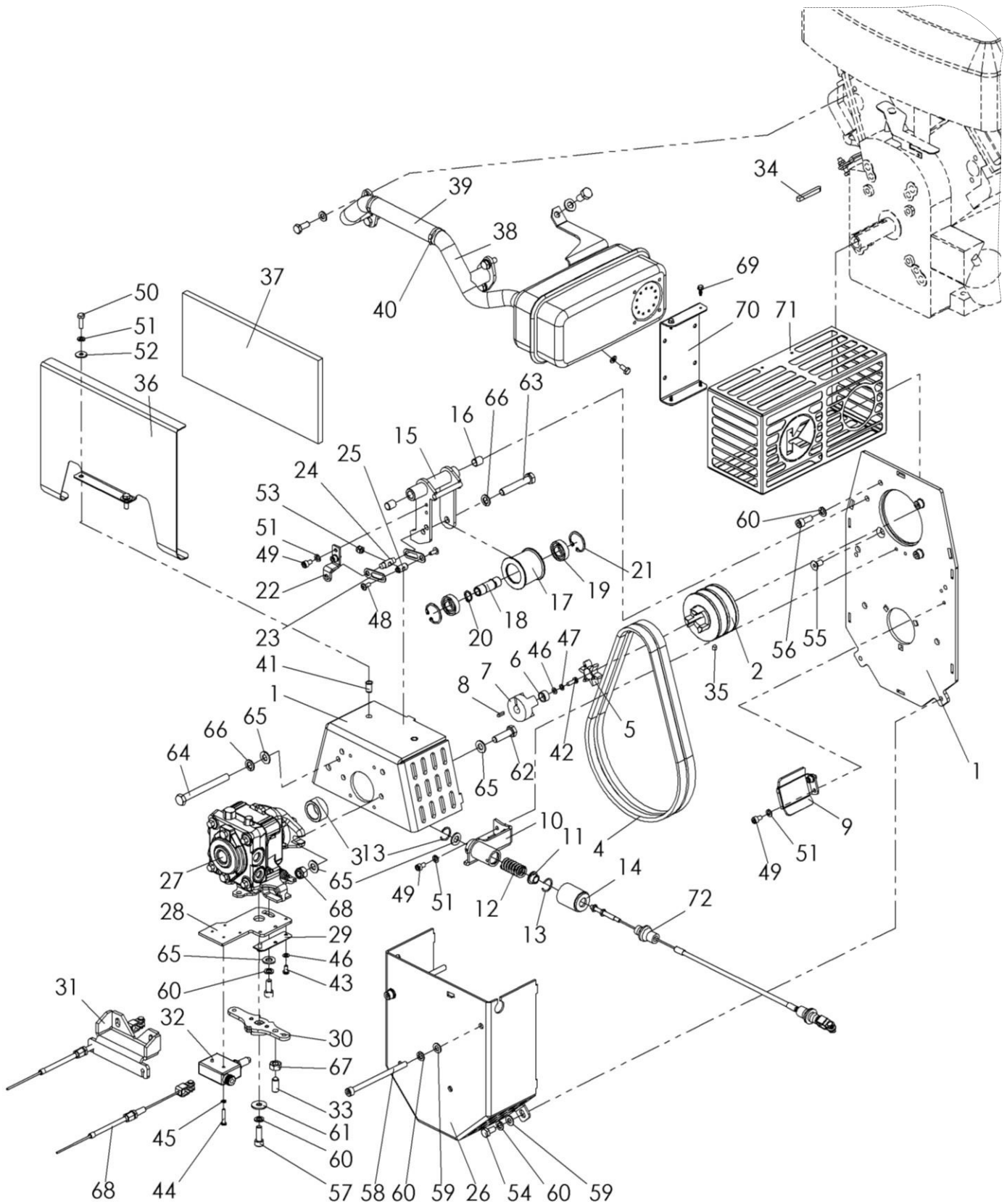


No.	Art.-Num.	Nu.	Designation
1	C06162	1	Attachment plate with centering ring
2	925 304 082	1	Pulley
3	921 100 840	1	V-belt set
4	925 102 064	1	Coupling driver
5	700 000 318	1	Clamping bush for clutch
6	700 802 048	1	Clutch
7	908 018 014	1	Adjusting spring
8	C06718	1	Down plate
9	C06191	1	Holder bowden cable tensioner complete

Driveline for UBS Hydro II with Honda engine - C06853 R00

No.	Art.-Num.	Nu.	Designation
10	C06440	1	Thrust washer
11	909 105 288	1	Compression spring
12	905 799 320	2	Snap ring
13	C06189	1	Outer tube for Bowden cable tensioner
14	941 050 139	1	Bowden
15	C06172	1	Tensioner holder
16	915 101 214	2	Bearings
17	C06039	1	Idler
18	C06040	1	Bearing axle
19	924 606 006	2	Ball-bearing
20	905 900 141	2	Circlip
21	906 032 000	2	Circlip
22	C06431	1	Backstop
23	C06448	2	Skid
24	C06451	1	Swivel axis long
25	C06450	1	Swivel axis short
26	C06164	1	Front cover down
27	934 100 004	1	Axial piston pump 6ccm, clockwise
28	C02069	1	Locking plate
29	C01244	1	Wear plate
30	C02072	1	Swiveling lever with doubling
31	C01273	1	Counterholder Bowden cable
32	941 903 003	1	Position switch
33	909 100 010	1	Pressure piece
34	908 007 740	1	Adjusting spring
35	902 306 008	2	Grub screw
36	902 710 032	1	Inch screw
37	903 920 510	2	Flat head screw with slot
38	903 604 025	2	Phillips screw with Phillips
39	905 004 000	2	Spring washer
40	905 105 000	3	Washer
41	905 005 000	1	Spring washer
42	903 905 012	2	Lentil head obl. with interior.
43	901 806 010	6	Cyl.-screw with Innenskt.
44	905 006 000	6	Spring washer
45	900 006 002	1	Stop mother
46	901 008 016	2	Skt.-screw without shank
47	901 208 016	1	Counter sunk screw with inner-Skt
48	901 808 020	3	Cyl.-screw with Innenskt.
49	901 808 025	1	Cyl.-screw with Innenskt.
50	901 808 120	2	Cyl.-screw with Innenskt.
51	905 108 000	4	Washer
52	905 008 000	9	Spring washer
53	905 208 025	1	K-disc
54	901 010 035	2	Skt.-screw without shank
55	901 110 060	1	Skt. Screw with shank
56	901 110 100	1	Skt. Screw with shank
57	905 110 000	7	Washer
58	905 010 000	2	Spring washer
59	900 010 001	1	Hexagon nut
60	900 010 002	2	Stop mother
61	s. Bedienkonsole	2	Bowden

2.5 Driveline for UBS Hydro II with B & S engine - C07336 R01



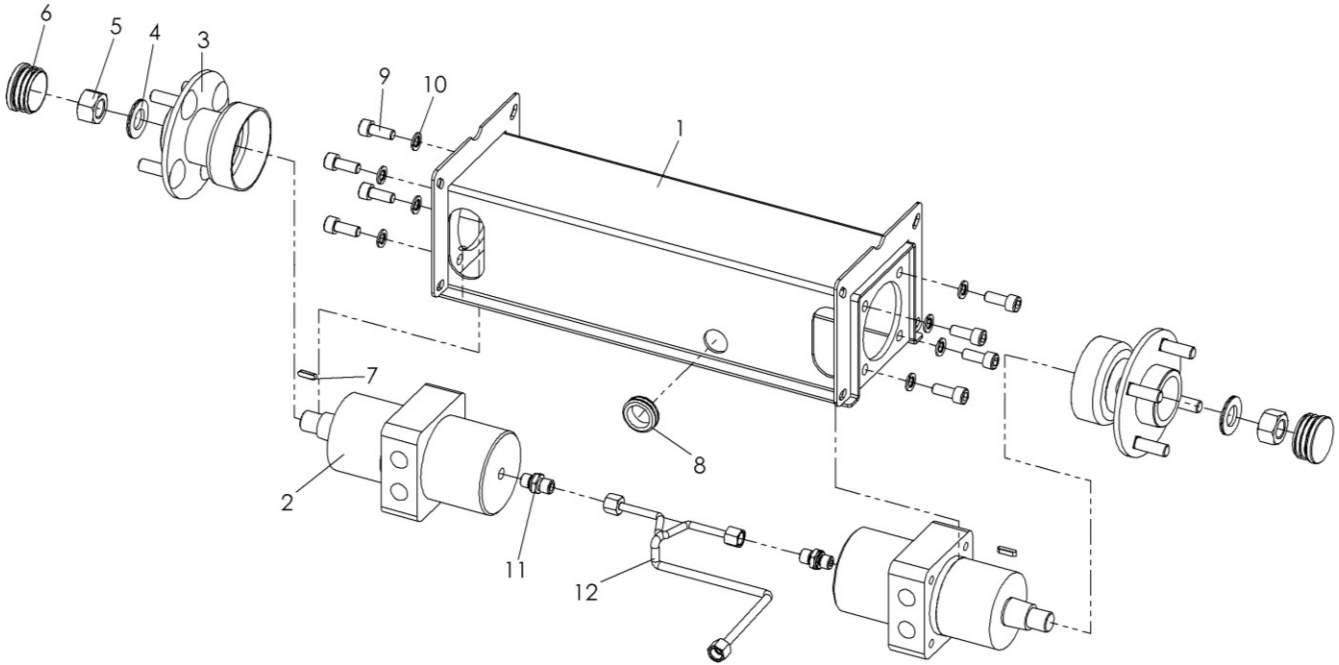
Driveline for UBS Hydro II with B & S engine

No.	Art.-Num.	Nu.	Designation
1	C06162	1	Attachment plate with centering ring
2	925 304 082	1	Pulley
3	C07032	1	Distance socket
4	921 100 840	1	V-belt set
5	925 102 064	1	Coupling driver
6	700 000 318	1	Pressing bush for clutch
7	700 802 048	1	Clutch
8	908 018 014	1	Adjusting spring
9	C06718	1	Down plate
10	C06191	1	Holder bowden cable tensioner complete
11	C06440	1	Thrust washer
12	909 105 288	1	Compression spring
13	905 799 320	2	Snap ring
14	C06189	1	Outer tube for Bowden cable tensioner
15	C06172	1	Tensioner holder
16	915 101 214	2	Bearings
17	C06039	1	Idler
18	C06040	1	Bearing axle
19	924 606 006	2	Ball-bearing
20	905 900 141	2	Circlip
21	906 032 000	2	Circlip
22	C06431	1	Backstop
23	C06448	2	Skid
24	C06451	1	Swivel axis long
25	C06450	1	Swivel axis short
26	C06164	1	Front cover down
27	934 100 004	1	Axial piston pump 6ccm, clockwise
28	C02069	1	Locking plate
29	C01244	1	Wear plate
30	C02072	1	Swiveling lever with doubling
31	C01273	1	Counterholder Bowden cable
32	941 903 003	1	Position switch
33	909 100 010	1	Pressure piece
34	908 006 650	1	Adjusting spring
35	902 306 008	2	Grub screw
36	C06754	1	Heat Shield
37	C07339	1	Insulating mat
38	920 001 007	1	Silencer kit
39	920 803 091	1	Insulating Wrap
40	920 803 092	2	Cable tie VA
41	900 006 006	2	Retractable nut M6, countersunk head
42	902 710 032	1	Inch screw
43	903 920 510	2	Flat head screw with slot
44	903 604 025	2	Phillips screw with Phillips
45	905 004 000	2	Spring washer
46	905 105 000	3	Washer
47	905 005 000	1	Spring washer

Spare part list - UBS Hydro II Standard

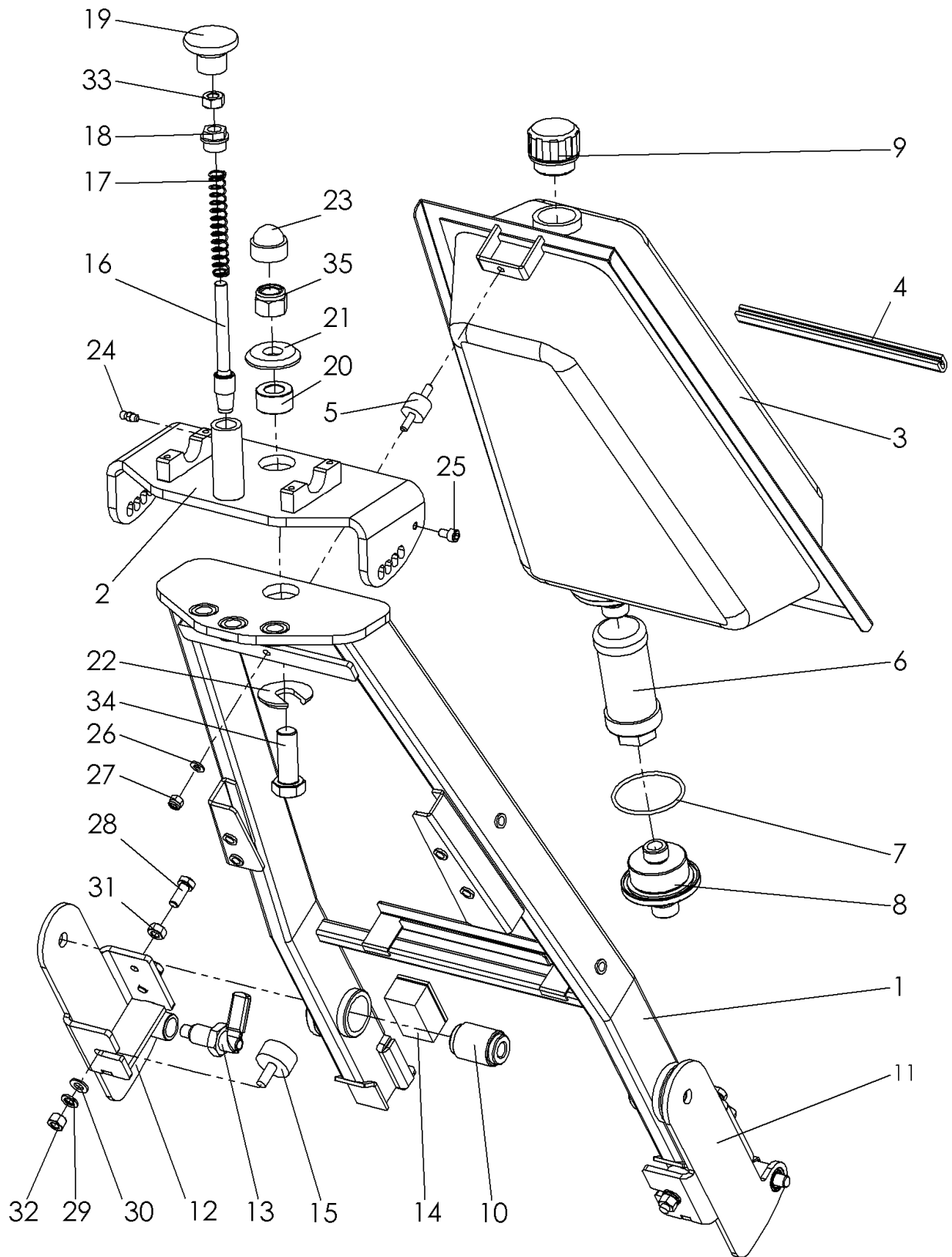
48	903 905 012	2	Lin with interior.
49	901 806 010	6	Cyl.-screw with Innenskt.
50	901 006 020	2	Skt.-screw without shank
51	905 006 000	8	Spring washer
52	905 206 018	2	K-disc
53	900 006 002	1	Stop mother
54	901 008 016	2	Skt.-screw without shank
55	901 208 016	1	Counter sunk screw with inner-Skt
56	901 808 020	3	Cyl.-screw with Innenskt.
57	901 808 025	1	Cyl.-screw with Innenskt.
58	901 808 120	2	Cyl.-screw with Innenskt.
59	905 108 000	4	Washer
60	905 008 000	9	Spring washer
61	905 208 025	1	K-disc
62	901 010 035	2	Skt.-screw without shank
63	901 110 060	1	Skt. Screw with shank
64	901 110 100	1	Skt. Screw with shank
65	905 110 000	7	Washer
66	905 010 000	2	Spring washer
67	900 010 001	1	Hexagon nut
68	900 010 002	2	Stop mother
69	902 144 213	4	Ground screw
70	C10348	1	Holder silencer
71	C10346	1	Silencer hood
72	s. operator	1	Bowden

2.6 Axis carrier UBS Hydro II - C07039 R00



No.	Art.-Num.	Nu.	Designation
1	C06932	1	Axle carrier 445 short version
2	s. Reifenliste	2	Hydraulic motor
3	s. Reifenliste	2	Wheel hub
4	906 900 001	2	Locking washers set
5	900 020 001	2	Skt: -Mother
6	943 400 048	2	Slat plug for wheel hub
7	908 005 018	2	Adjusting spring
8	908 706 666	1	Cable grommet
9	901 810 025	8	Cylinder head screw with inner. Skt
10	905 010 000	8	Spring washer
11	931 070 814	2	Hydraulic connection
12	s. Hydraulic kit	1	Drain line

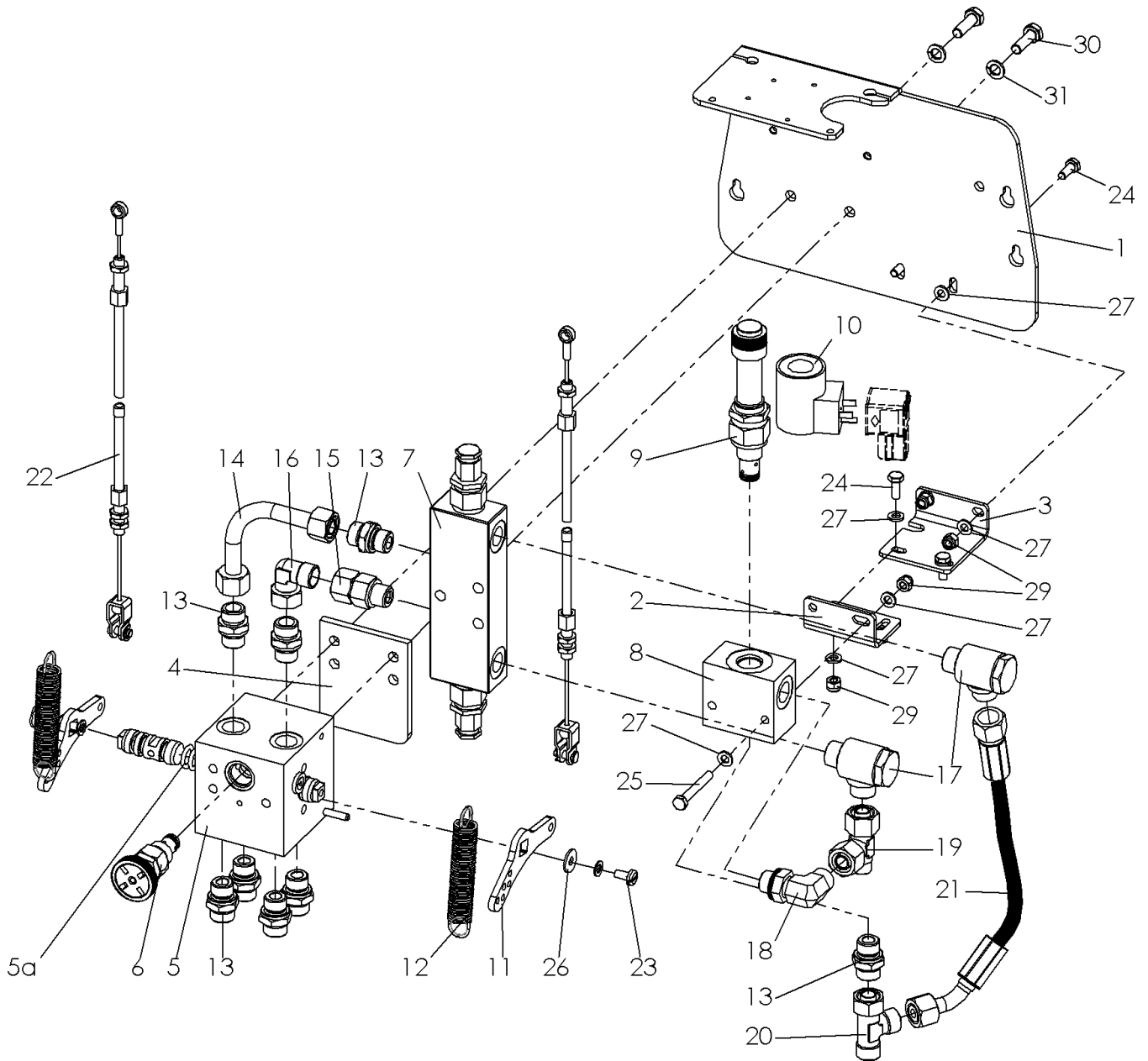
2.7 Guide rail without swivel bracket with tank UBS Hydro II - C06943 R00



Guide rail without swivel bracket with tank UBS Hydro II - C06943 R00

No.	Art.-Num.	Nu.	Designation
1	C06309	1	Handlebar
2	C06484	1	Mounted onsole
3	771 000 001	1	Tank with 1 filter element
4	767 000 147	1	Edge protection for tank
5	911 006 015	1	Rubber-metal buffer
6	937 200 030	1	Microfilter for axial piston pump
7	937 158 003	1	O-ring
8	110 000 135	1	Tank bolting
9	931 200 042	1	Bleed screw
10	911 301 244	2	Vibrator
11	C06419	1	Swivel bracket right
12	C06418	1	Swivel bracket left
13	907 501 116	2	Indexing plungers
14	C06956	2	Rubber stop rail
15	911 108 030	2	Rubber-metal buffer M8
16	C01266	1	Locking pin with cone
17	909 100 189	1	Compression spring
18	700 000 171	1	Screw
19	941 267 710	1	Button handle
20	C01252	1	Centering
21	C00863	1	Cover disc
22	C01283	1	Slotted cover
23	943 559 016	1	Cap
24	910 006 000	1	Grease nipple
25	901 806 010	2	Cylinder head screw with Innenskt.
26	905 106 000	1	Washer
27	900 006 002	1	Stop mother
28	901 008 020	4	Skt.-screw without shank
29	905 008 000	3	Spring washer
30	905 108 000	2	Washer
31	900 008 001	4	Hexagon nut
32	900 008 001	2	Hexagon nut
33	900 010 001	1	Hexagon nut
34	901 124 016	1	Hexagon screw
35	900 016 024	1	Hexagon nut

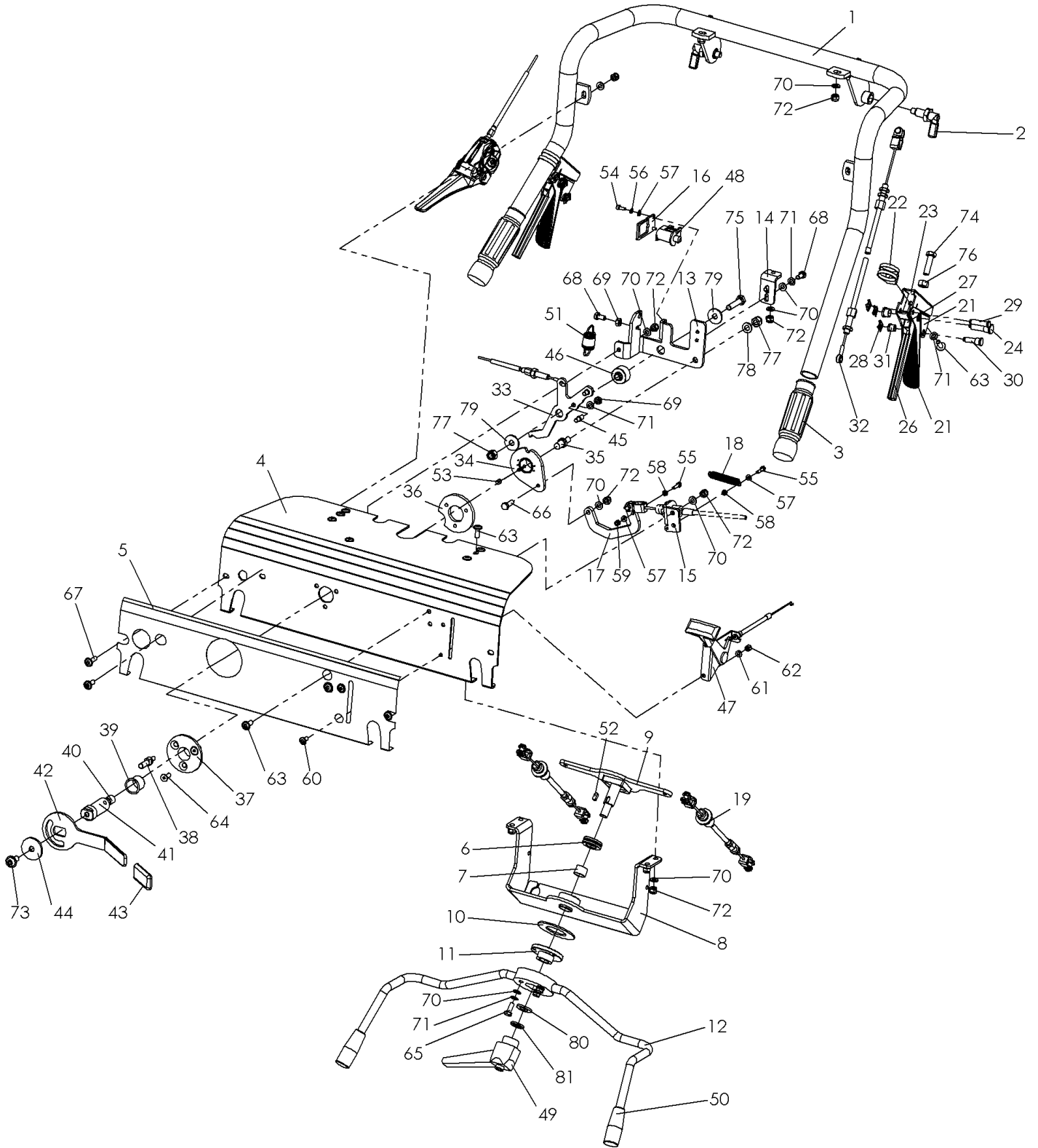
2.8 Hydraulic control UBS Hydro II (standard) - C07071 R01



Hydraulic control (standard) - C07071 R01

No.	Art.-Num.	Nu.	Designation
1	770 000 040	1	Attachment hydraulic valve
2	C07105	1	Valve holder Part I
3	C07104	1	Valve holder part II
4	767 000 030	1	Reinforcing plate
5	C00590	1	Hydraulic valve block compl.
6	936 203 006	1	Control cartridge
7	936 612 563	1	Lowering valve
8	936 310 002	1	Hydraulic block
9	936 310 001	1	Way valve cartridge
10	936 310 003	1	Kitchen sink
11	769 300 040	2	Swingarm for pistons
12	909 200 021	2	Mainspring
13	931 071 238	8	Hydraulikverschraubung
14	767 000 180	1	Hydraulic line
15	931 031 238	1	Hydraulic connection
16	931 061 200	1	Hydraulic connection
17	931 171 038	2	Hydraulic connection
18	931 061 012	1	Hydraulic connection
19	931 051 218	1	Hydraulic connection
20	931 041 200	1	Hydraulic connection
21	930 767 028	1	Hydraulic hose
22	941 765 001	2	Bowden cable power steering
23	903 920 612	2	Flat head screw with slot
24	905 006 020	4	Skt.-screw without shank
25	901 006 045	1	Skt. Screw with shank
26	905 206 018	2	K-disc
27	905 106 000	10	Washer
28	905 006 000	2	Spring washer
29	900 006 002	5	Stop mother
30	901 008 025	2	Skt.-screw without shank
31	905 008 000	2	spring washer

2.9 Control panel for UBS Hydro II (standard) - C07109 R00



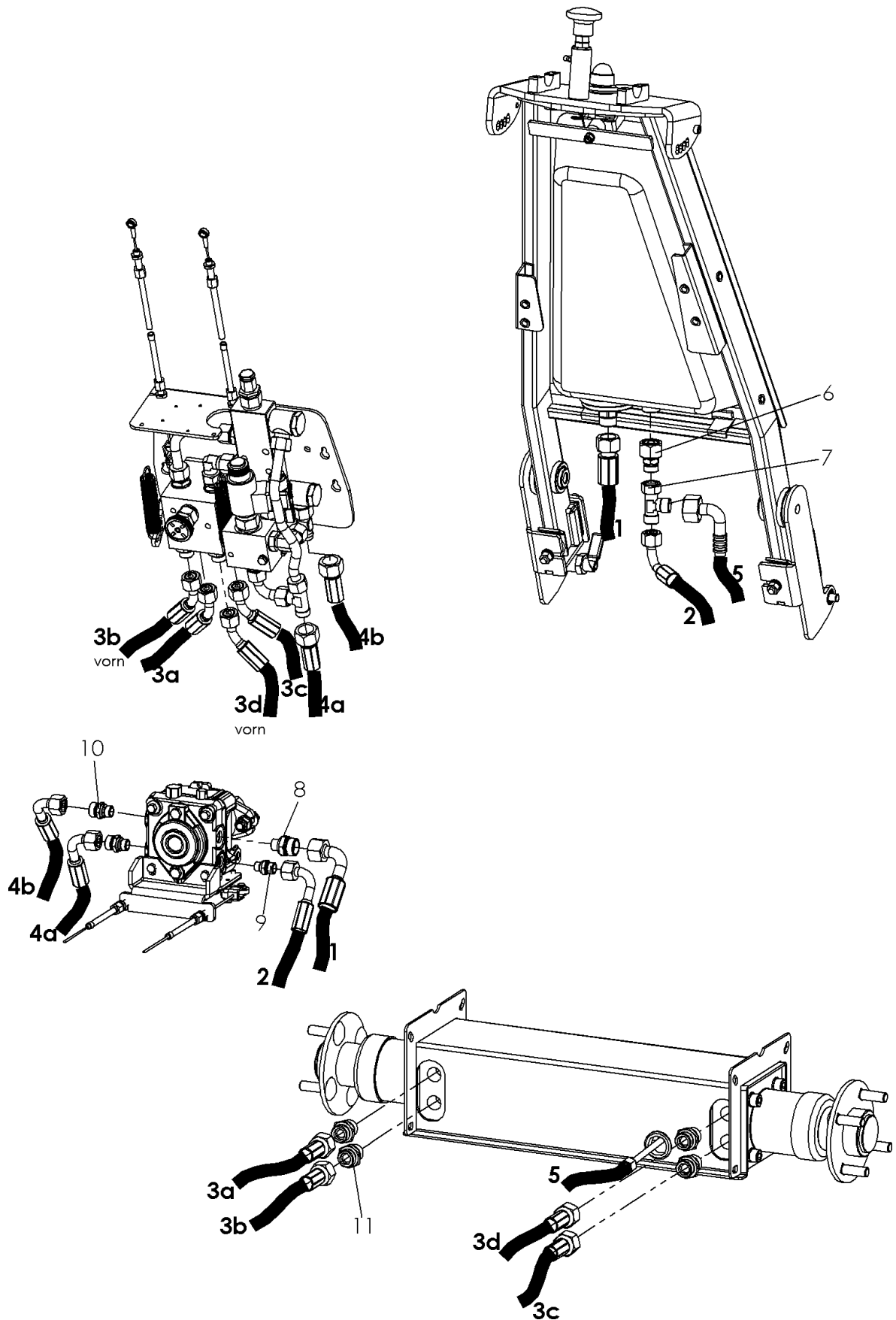
Control panel for UBS Hydro II (standard) - C07109 R00

No.	Art.-Num.	Nu.	Designation
1	C06483	1	Hand Holm
2	907 501 112	2	Indexing plungers
3	941 908 015	2	handle
4	C07065	1	Operator
5	C06740	1	Control panel sticker for printing
6	8751103	1	Warehouse
7	915 161 812	1	Bearings
8	C06980	1	Attachment plate for swivel compl.
9	C01236	1	Pivoting lever
10	950 767 001	1	Brake disc
11	C03134	1	Adjustable swivel joint
12	C03135	1	Rocker with adjustable swivel joint
13	C06242	1	Mounting frame
14	C06913	1	Attachment bolt
15	C06241	1	Bowden cable
16	C07099	1	Holder for safety switch
17	C06235	1	Guide yoke
18	909 200 138	1	Mainspring
19	941 050 162	2	Bowden cable traction drive long
20	941 050 140	1	Lever with Bowden cable
21	767 000 120	2	Double steering lever (outside)
22	941 801 006	2	Clamp
23	C07076	2	Steering lever with clamp
24	767 000 096	2	Bolt
25	767 000 099	2	Guide sleeve
26	770 000 010	2	Steering lever inside
27	C07254	2	Driver for steering lever
28	906 910 006	6	Cotter
29	767 000 097	2	Bolt
30	767 000 098	2	Bolt
31	767 000 100	2	Guide sleeve
32	s. Hydrosteuerung	1	Bowden cable power steering
33	C06237	1	Ejector
34	C06231	1	Complete swing gate
35	C06238	1	Thrust bearing
36	C00058	1	Screw-on plate for rosette
37	767 000 004	1	Rosette
38	C00057	1	Stop bolts for PTO lever
39	915 021 020	1	Bearings
40	915 101 214	1	Bearings
41	C07086	1	Swivel axis
42	C06239	1	PTO lever
43	941 900 050	1	Diving cap
44	705 360 803	1	Disc

Control panel for UBS Hydro II (standard) - C07109 R00

No.	Art.-Num.	Nu.	Designation
45	C07158	2	Locking pin
46	C06236	1	Pivot bearing
47	941 920 133	1	Gas lever LGS long
48	941 903 005	1	Start safety switch, normally open
49	941 200 012	1	Clamping lever
50	767 000 020	2	Rubber cap
51	909 200 139	1	Mainspring
52	908 005 512	1	Adjusting spring
53	902 406 008	1	Grub screw
54	901 804 010	2	Cylinder head screw with Innenskt.
55	901 004 016	2	Skt.-screw without shank
56	905 004 000	2	Spring washer
57	905 104 000	4	Washer
58	900 004 001	2	Hexagon nut
59	900 004 002	1	Stop mother
60	903 905 012	2	Lentil head obl. with interior.
61	905 105 000	2	Washer
62	900 005 001	2	Hexagon nut
63	903 906 016	10	Lentil head obl. with interior.
64	901 206 016	2	Counter sunk screw with inner-Skt
65	901 006 016	3	Skt.-screw without shank
66	901 006 020	1	Skt.-screw without shank
67	903 906 020	4	Lentil head obl. with interior.
68	901 006 012	3	Skt.-screw without shank
69	900 006 001	3	Hexagon nut
70	905 106 000	18	Washer
71	905 006 000	9	Spring washer
72	900 006 002	13	Stop mother
73	903 908 016	1	Lentil head obl. with interior.
74	901 008 030	1	Skt.-screw without shank
75	901 008 035	1	Skt.-screw without shank
76	900 008 001	1	Hexagon nut
77	900 008 002	2	Stop mother
78	905 108 000	1	Washer
79	905 208 025	2	K-disc
80	905 112 000	1	Washer
81	905 012 000	1	Spring washer

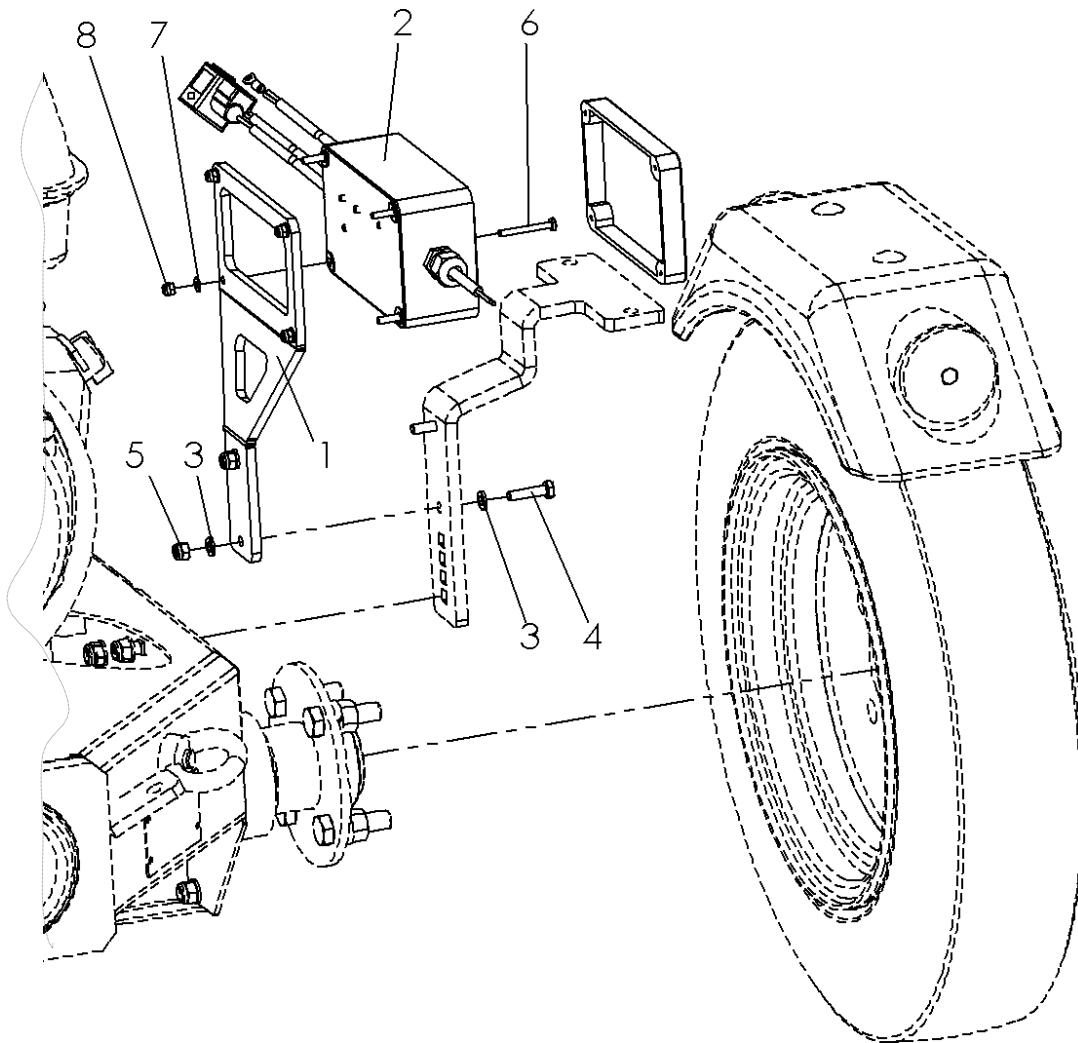
2.10 Hydraulic kit UBS Hydro II - C06946 R00



Hydraulic kit UBS Hydro II - C06946 R00

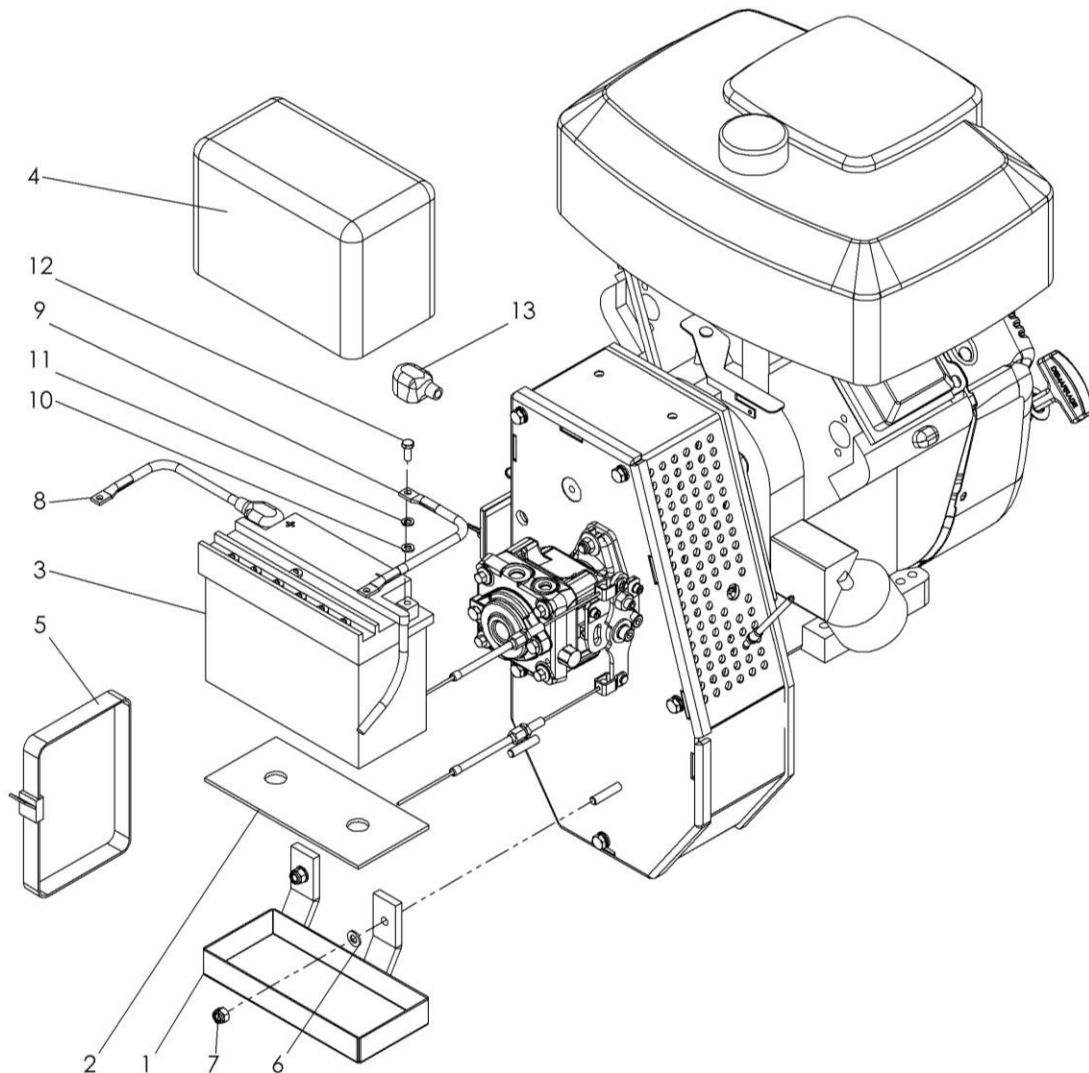
No.	Art.-Num.	Nu.	Designation
Tube set : 930 767 987			
1	930 767 711	1	Hydraulic hose
2	930 000 094	1	Hydraulic hose
3a+b	930 767 023	2	Hydraulic hose
3c+d	930 767 027	2	Hydraulic hose
4a+b	930 000 089	2	Hydraulic hose
5	930 718 024	1	Drain line
6	931 101 512	1	Reducing
7	931 041 200	1	Hydraulic connection
8	931 139 160	1	Hydraulic connection
9	931 071 271	1	Hydraulic connection
10	931 071 291	2	Hydraulic connection
11	931 071 212	4	Hydraulic connection

2.11 Electro parts UBS Hydro II - C07413 R00



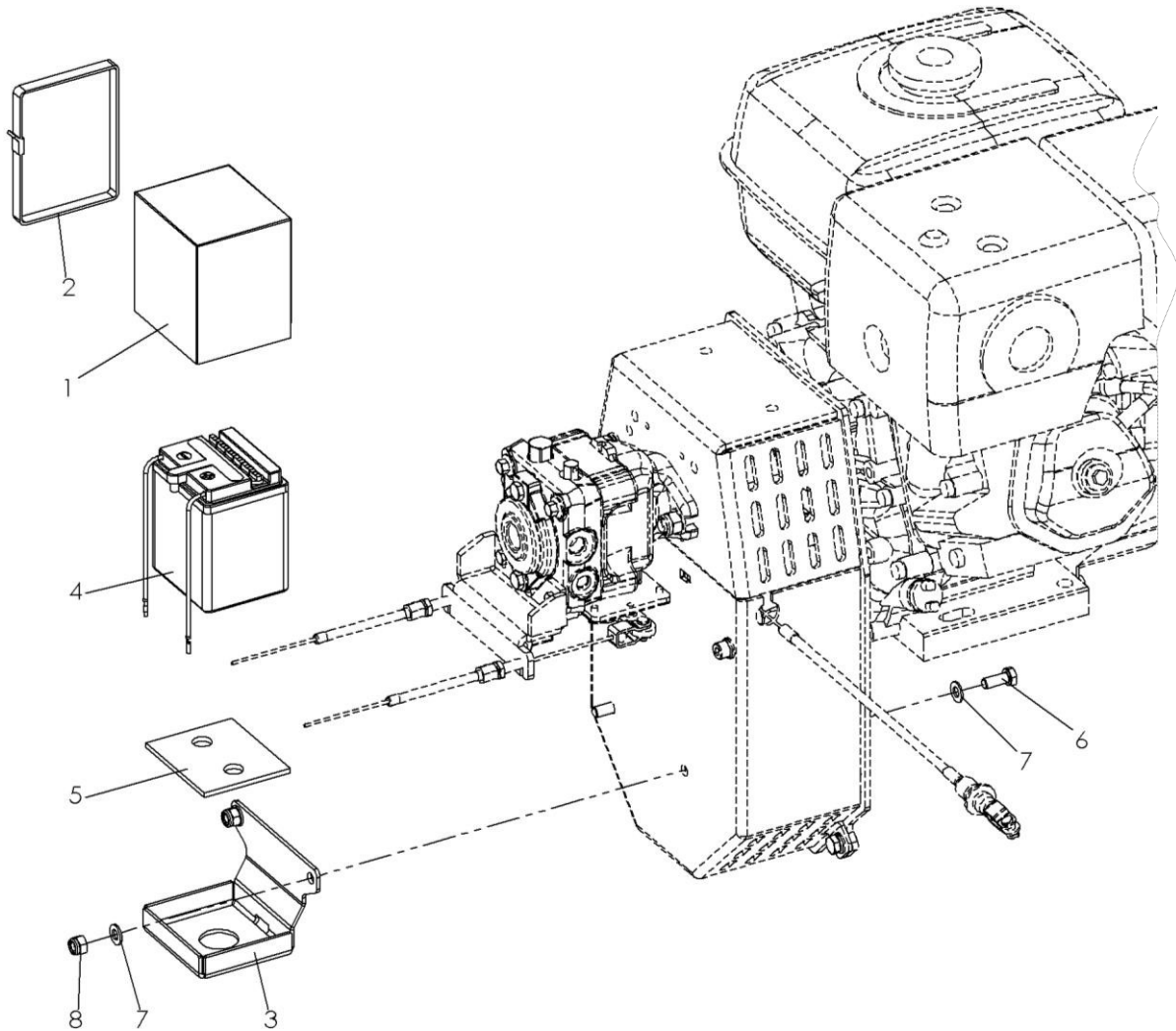
No.	Art.-Num.	Nu.	Designation
1	C07054	1	Mounting bracket Wiring box
2	C07334	1	Aluminum box compl.
3	905 106 000	4	Washer
4	901 006 025	2	Skt.-screw without shank
5	900 006 002	2	Stopp mother
6	903 604 035	4	Phillips screw with Phillips
7	905 104 000	4	Washer
8	900 004 002	4	Stopp mother

2.12 E-Start for UBS Hydro II - C00808 R01



No.	Art.-Num.	Nu.	Designation
1	767 000 079	1	Battery holder
2	700 000 305	1	Battery edition
3	960 011 220	1	Battery 12V 20 Ah
4	960 031 001	1	Battery cover
5	960 031 000	1	Battery tape
6	905 108 000	2	Washer
7	900 008 002	2	Stopp mother
8	C01290	1	Wiring (+)
9	C01291	1	Wiring (-)
10	905 106 000	2	Washer
11	905 006 000	2	Spring washer
12	901 006 016	2	Hexagon screw
13	960 041 000	2	Polar cap

2.13 Battery for B & S engine without E-Start for UBS Hydro II - C07425 R00



No.	Art.-Num.	Nu.	Designation
1	960 031 002	1	Battery cover made of tarpaulin
2	918 080 150	1	Battery strap UBS Hydro II
3	C07424	1	battery holder
4	960 011 225	1	Battery 12V 2.5 Ah
5	700 000 306	1	Battery edition
6	901 008 020	2	Skt.-screw without shank
7	905 108 000	4	Washer
8	900 008 002	2	Stopp mother

3 Others

3.1 Tire and wheel hub list - D00001 R03

Type	Order no.	Wheel size	Tire tread	Art. No. Wheels	Art. No. Wheel hub	Art. No. Wheel hud Parking brake	Art. No. Wheel motor
K 820 K 820 Pro	C07538	4.00-8	Block	926 140 408	712 000 022	-	-
	C07539	4.00-8	Ackerstollen	926 110 408	712 000 022	-	-
K 1500 K 2000 K 2100	C07540	4.00-8	Block	926 140 408	700 000 022	-	-
	C07541	4.00-8	Ackerstollen	926 110 408	700 000 022	-	-
	C07542	16x6.50-8	Block	926 130 168	700 000 023	-	-
	C07543	16x6.50-8	Ackerstollen	926 110 168	700 000 023	-	-
UBS Easy	C07540	4.00-8	Block	926 140 408	700 000 022	-	-
	C07541	4.00-8	Ackerstollen	926 110 408	700 000 022	-	-
	C07542	16x6.50-8	Block	926 130 168	700 000 023	-	-
	C07543	16x6.50-8	Ackerstollen	926 110 168	700 000 023	-	-
Weedo II	C07544	4.00-4	Block	926 140 404	-	-	-
UBS Hydro	C07548	4.00-8	Block	926 140 408	767 410 006	-	935 102 315
	C07550	4.00-8	Ackerstollen	926 110 408	767 410 006	-	935 102 315
	C07551	5.00-10	Ackerstollen	926 110 510	767 410 006	-	935 102 315
	C07552	16x6.50-8	Block	926 130 168	767 187 006	-	935 102 315
	C07553	16x6.50-8	Ackerstollen	926 110 168	767 187 006	-	935 102 315
	C07554	18x7.00-8	Ackerstollen	926 110 187	767 187 006	-	935 102 315
UBS Master UBS Alpin	C07555	18x9.50-8	Ackerstollen	926 110 188	-	C00976	935 101 400
	C07556	21x11.00-8	Ackerstollen	926 111 108	-	C00976	935 101 400
	C07557	5.00-10	Ackerstollen	926 110 510	-	C03123	935 101 400
Rough Cutter	C07558	4.00-10	Ackerstollen	926 110 410	-	767 000 141	935 102 315
	C07559	5.00-10	Ackerstollen	926 110 510	-	767 000 141	935 102 315
	C07560	18x9.50-8	Ackerstollen	926 110 188	-	767 000 129	935 103 400
	C07561	21x11.00-8	Ackerstollen	926 111 108	-	767 000 129	935 103 400
Power Unit	C07562	16x6.50-8	Ackerstollen	926 110 168	760 000 024	-	-
Vento	C07563	4.00-8	Block	926 140 484	-	-	-
Vento Max	C07542	16x6.50-8	Block	926 130 168	700 000 023	-	-

Kersten

SITE MAINTENANCE EQUIPMENT

Distributed in UK by
Kersten (UK) Ltd Tel. 0118 986 9253

Progress House
39 Boulton Road Reading, RG2 0NH
www.kerstenuk.com - info@kerstenuk.com