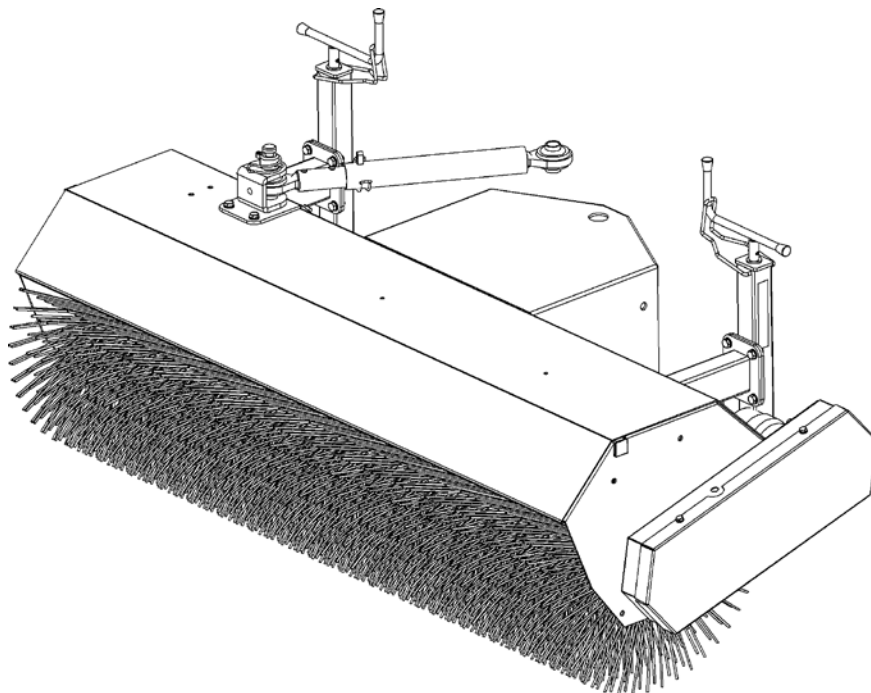




Spare parts lists Front sweeper

KM 45 series

KM 11545 H-ABR 45 / KM 11545 M-ABR 45
KM 13045 H-ABR 45 / KM 13045 M-ABR 45
KM 15045 H-ABR 45 / KM 15045 M-ABR 45



Order number: E00045 from machine No:

Rev.R05

Data 04.2016



Manufactures by
Kersten Arealmaschinen GmbH
Empeler Straße 95
D - 46459 Rees
www.kersten-maschinen.de



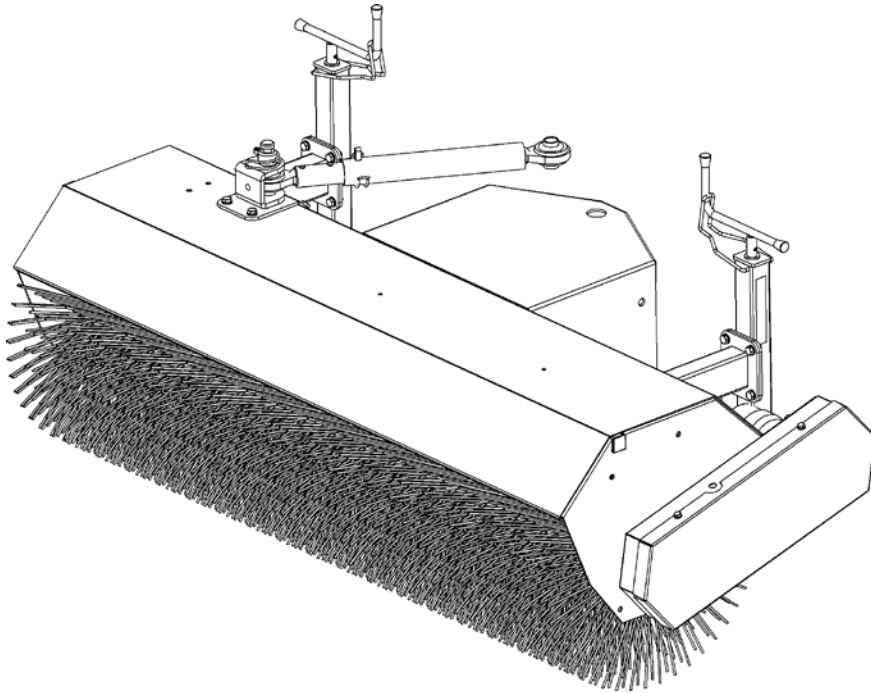
Distributed in UK by
Kersten (UK) Ltd Tel. 0118 986 9253
Progress House 39 Boulton Road
Reading, RG2 0NH
www.kerstenuk.com - info@kerstenuk.com

Table of Contents

Spare part list	1
1 Model Overview	4
1.1 FRONT SWEEPER.....	4
1.1.1 KM 11545 H-ABR 45 - C02187 R00	4
1.1.2 KM 13045 H-ABR 45 - C02188 R00	4
1.1.3 KM 15045 H-ABR 45 - C02189 R00	4
1.1.4 KM 11545 M-ABR 45 - C02190 R00.....	5
1.1.5 KM 13045 M-ABR 45 - C02191 R00.....	5
1.1.6 KM 15045 M-ABR 45 - C02192 R00.....	5
2 Overview of Modules.....	6
2.1 BASIC UNIT MECHANICAL AND HYDRAULIC DRIVE.....	6
2.1.1 KM 11545 H-M-ABR 45 - C02742 R00.....	7
2.1.2 KM 13045 H-M-ABR 45 - C02743 R00.....	8
2.1.3 KM 15045 H- M-ABR 45 - C02744 R00.....	9
2.2 MECHANICAL DRIVE TRAIN	10
2.2.1 KM 11545 M-ABR 45 - C02147 R00.....	11
2.2.2 KM 13045 M-ABR 45 - C01050 R00.....	12
2.2.3 KM 15045 M-ABR 45 - C02148 R00.....	13
2.3 HYDRAULIC Drive Train - C02745 R00	14
2.4 MOUNTING FRAME FOR HYDRAULIC DRIVE - C01047 R00	15
2.5 MOUNTING FRAME FOR MECHANICAL DRIVE - C02747 R00	16
2.6 QUICK-TATCH SCHNELLBAUSYSTEM - C01055 R00	17
3 Accessories	18
3.1 INSTALLATION SIDEBOOK.....	18
3.1.1 ASH 4045 KM an KM 11545 H-ABR 45 - C02182 R00	19
3.1.2 ASH 4045 KM an KM 13045 H-ABR 45 - C02183 R00	20
3.1.3 ASH 4045 KM an KM 15045 H-ABR 45 - C02184 R00	21
3.2 DOUBLE ROTATING VALVE FOR SIDEBESES AND - C02193 R00.....	22
3.3 HYDRAULIC HOSE SET, CONTROL VALVE - C01057 R01	23
3.4 SIDE BROOM ASM 4045 KM - C00435 R01	24
3.5 HYDRAULIC SWIVELING DEVICE - C00431 R00	26
3.6 JACK STAND AST 45 LR - C00432 R00.....	26
3.7 DIRT COLLECTION	27
3.7.1 Dirt collection SSB 11545 K - C00452 R04	28
3.7.2 Dirt collection SSB 13045 K - C00433 R04	29
3.8 Dirt collection SSB 15045 B - C01061 R02.....	Error! Text Mark not.
3.9 RUBBER INJECTION RAGS	31
3.9.1 GUSPL 11545 - C00451 R02	31
3.9.2 GUSPL 13045 - C00434 R02	32
3.9.1 GUSPL 15045 - C01060 R02	32
3.10 Rollers: Diameter 45 CM.....	33

1 Model Overview

1.1 Front sweeper



1.1.1 KM 11545 H-ABR 45 - C02187 R00

No.	Art.-No.	Num.	Designation
1	C02742 R00	1	Basic device for mech. u. hydraulic drive
2	C02745 R00	1	hydraulic drive train
3	C01047 R01	1	Mounting frame for hydraulic drive

1.1.2 KM 13045 H-ABR 45 - C02188 R00

No.	Art.-No.	Num.	Designation
1	C02743 R00	1	Basic device for mech. u. hydraulic drive
2	C02745 R00	1	hydraulic drive train
3	C01047 R01	1	Mounting frame for hydraulic drive

1.1.3 KM 15045 H-ABR 45 - C02189 R00

No.	Art.-No.	Num.	Designation
1	C02744 R00	1	Basic device for mech. u. hydraulic drive
2	C02745 R00	1	hydraulic drive train
3	C01047 R01	1	Mounting frame for hydraulic drive

1.1.4 KM 11545 M-ABR 45 - C02190 R00

No.	Art.-No.	Num.	Designation
1	C02742 R00	1	Basic device for mech. u. hydraulic drive
2	C02147 R00	1	hydraulic drive train
3	C02747 R00	1	Mounting frame for hydraulic drive

1.1.5 KM 13045 M-ABR 45 - C02191 R00

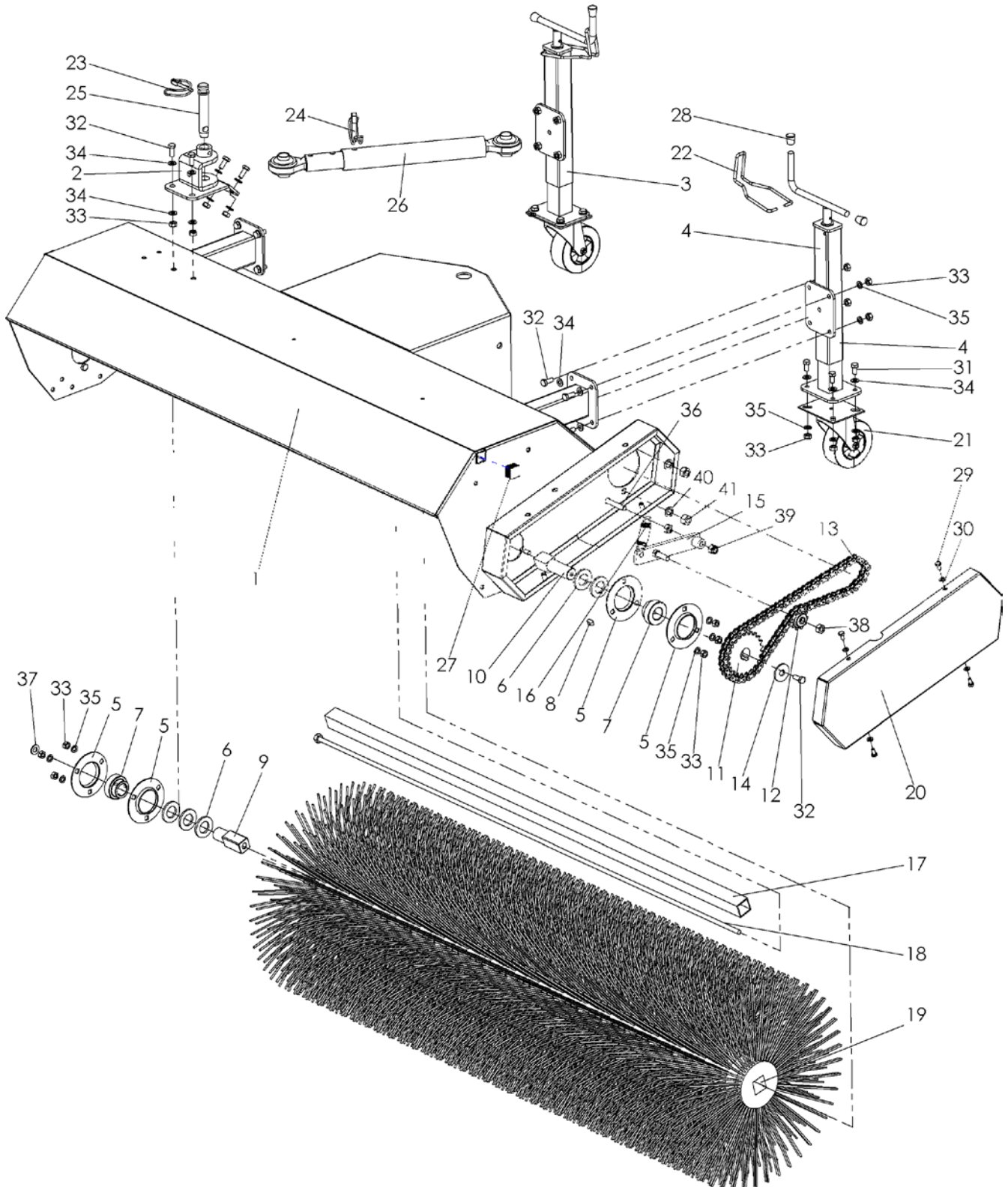
No.	Art.-No.	Num.	Designation
1	C01050 R00	1	Basic device for mech. u. hydraulic drive
2	C01050 R00	1	hydraulic drive train
3	C02747 R00	1	Mounting frame for hydraulic drive

1.1.6 KM 15045 M-ABR 45 - C02192 R00

No.	Art.-No.	Num.	Designation
1	C02742 R00	1	Basic device for mech. u. hydraulic drive
2	C02148 R00	1	hydraulic drive train
3	C02747 R00	1	Mounting frame for hydraulic drive

2 Overview of Modules

2.1 Basic device mechanical and hydraulic drive



2.1.1 KM 11545 H-M-ABR 45 - C02742 R00

No.	Art.-No.	Num.	Designation
1	C00442	1	Casing
2	050 438 220	1	Panhandle holder
3	C00205	1	Parking support, right
4	C02746	1	Parking support, left
5	924 200 205	2 sentences	Bearings
6	905 125 000	5	Washer
7	924 100 205	2	Ball-bearing
8	908 108 715	1	Adjusting spring
9	100 000 430	1	Drive stub right
10	100 000 425	1	Drive stub left
11	920 401 322	1	Sprocket
12	920 603 010	1	Tensioning wheel
13	920 100 880	1	Chain
14	905 212 001	1	K-disc
15	100 000 255	1	Tension lever chain case
16	909 200 583	1	Mainspring
17	C00314	1	Drive axle
18	C02154	1	Tension rod with nut
19	see Kp. 3.10	12 sentences	Broom
20	130 000 165	1	Transmission cover
21	926 302 135	2	Wheel
22	942 003 002	2	Retaining clip
23	907 190 550	1	Pipe linch pin
24	907 190 950	1	Pipe linch pin
25	750 000 028	1	Top link pin
26	050 300 010	1	Manual adjustment (two-piece)
27	943 125 252	2	protective cap
28	942 003 003	4	protective cap
29	901 006 012	4	Skt.-screw without shank
30	905 106 000	4	Washer
31	901 008 016	8	Skt.-screw without shank
32	901 008 020	13	Skt.-screw without shank
33	900 008 001	26	Hexagon nut
34	905 108 000	24	Washer
35	905 008 000	22	spring washer
36	901 110 055	1	Skt. Screw with shank
37	905 110 000	1	Washer
38	900 010 001	2	Hexagon nut
39	900 010 002	1	Stop mother
40	905 012 000	2	Spring washer
41	900 012 001	2	Hexagon nut

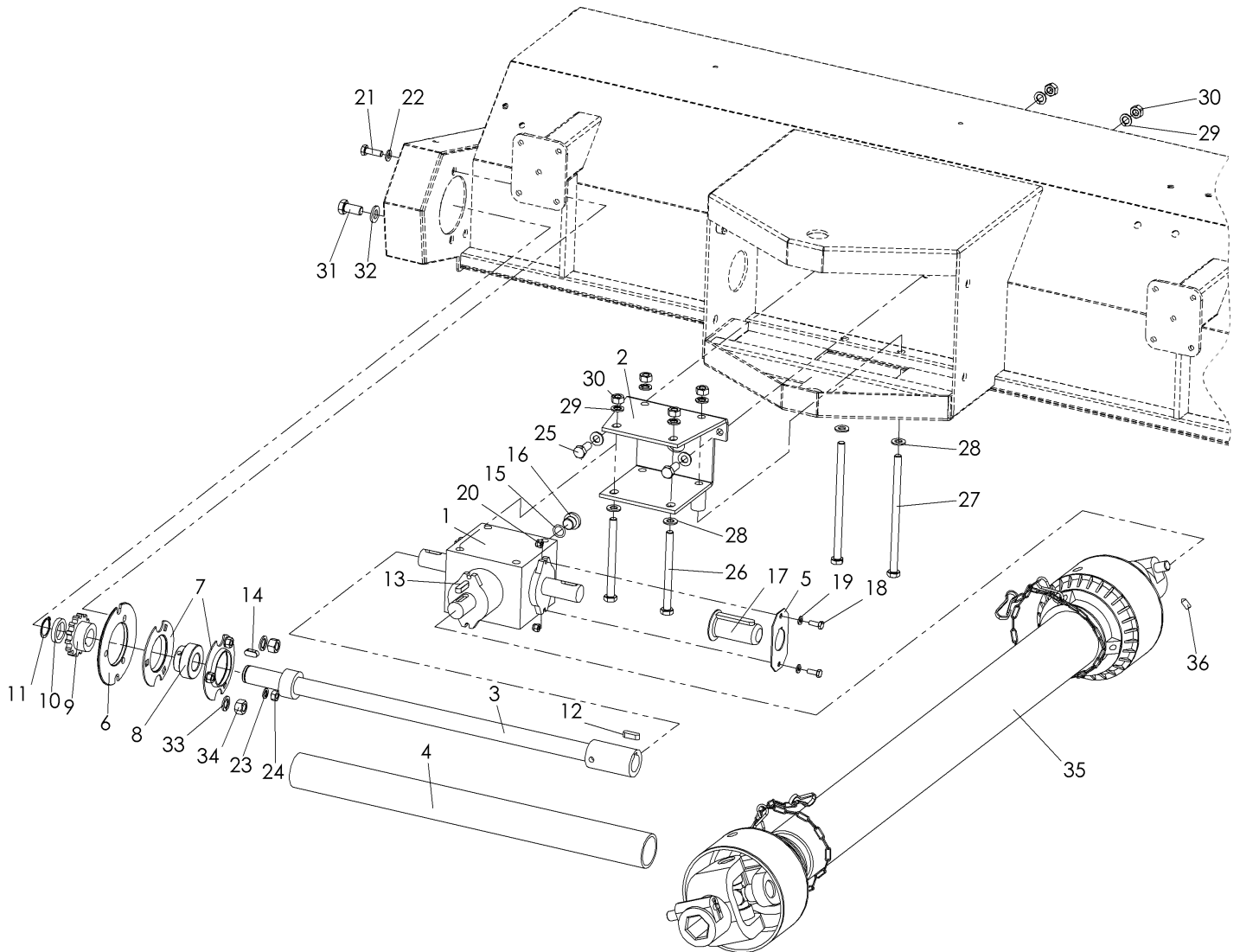
2.1.2 KM 13045 H-M-ABR 45 - C02743 R00

No.	Art.-No.	Num.	Designation
1	C02462	1	Casing
2	050 438 220	1	Panhandle holder
3	C00205	1	Parking support, right
4	C02746	1	Parking support, left
5	924 200 205	2 Sentence	Bearings
6	905 125 000	5	Washer
7	924 100 205	2	Ball-bearing
8	908 108 715	1	Adjusting spring
9	100 000 430	1	Drive stub right
10	100 000 425	1	Drive stub left
11	920 401 322	1	Sprocket
12	920 603 010	1	Tensioning wheel
13	920 100 880	1	Chain
14	905 212 001	1	K-disc
15	100 000 255	1	Tension lever chain case
16	909 200 583	1	Mainspring
17	041 000 438	1	Drive axle
18	041 000 436	1	Tension rod with nut
19	see Kp. 3.10	1 Sentence	Broom
20	130 000 165	1	transmission cover
21	926 302 135	2	Wheel
22	942 003 002	2	retaining clip
23	907 190 550	1	Pipe linch pin
24	907 190 950	1	Pipe linch pin
25	750 000 028	1	Top link pin
26	050 300 010	1	Manual adjustment (two-piece)
27	943 125 252	2	protective cap
28	942 003 003	4	protective cap
29	901 006 012	4	Skt.-screw without shank
30	905 106 000	4	Washer
31	901 008 020	8	Skt.-screw without shank
32	901 008 020	13	Skt.-screw without shank
33	900 008 001	26	Hexagon nut
34	905 108 000	24	Washer
35	905 008 000	22	Spring washer
36	901 110 055	1	Skt. Screw with shank
37	905 110 000	1	Washer
38	900 010 001	2	Hexagon nut
39	900 010 002	1	Stop mother
40	905 012 000	2	Spring washer
41	900 012 001	2	Hexagon nut

2.1.3 KM 15045 H- M-ABR 45 - C02744 R00

No.	Art.-No.	Num.	Designation
1	150 000 028	1	Casing
2	050 438 220	1	Panhandle holder
3	C00205	1	Parking support, right
4	C02746	1	Parking support left
5	924 200 205	2 Sentence	Bearings
6	905 125 000	5	Washer
7	924 100 205	2	Ball-bearing
8	908 108 715	1	Adjusting spring
9	100 000 430	1	Drive stub, right
10	100 000 425	1	Drive stub, left
11	920 401 322	1	Sprocket
12	920 603 010	1	Tensioning wheel
13	920 100 880	1	Chain
14	905 212 001	1	K-disc
15	100 000 255	1	Tension lever chain case
16	909 200 583	1	Mainspring
17	150 000 026	1	Drive axle
18	150 000 027	1	Tension rod with nut
19	see 3.10	1 Sentence	Broom
20	130 000 165	1	Transmission cover
21	926 302 135	2	Wheel
22	942 003 002	2	Retaining clip
23	907 190 550	1	Pipe linch pin
24	907 190 950	1	Pipe linch pin
25	750 000 028	1	Top link pin
26	050 300 010	1	Manual adjustment (two-piece)
27	943 125 252	2	Protective cap
28	942 003 003	4	Protective cap
29	901 006 012	4	Skt.-screw without shank
30	905 106 000	4	Washer
31	901 008 016	8	Skt.-screw without shank
32	901 008 020	13	Skt.-screw without shank
33	900 008 001	26	Hexagon nut
34	905 108 000	24	Washer
35	905 008 000	22	Spring washer
36	901 110 055	1	Skt. Screw with shank
37	905 110 000	1	Washer
38	900 010 001	2	Hexagon nut
39	900 010 002	1	Stop mother
40	905 012 000	2	Spring washer
41	900 012 001	2	Hexagon nut

2.2 Mechanical drive train



2.2.1 KM 11545 M-ABR 45 - C02147 R00

No.	Art.-No.	Num.	Designation
1	922 101 000	1	Bevel gear
2	050 438 120	1	Transmission holder
3	C02592	1	Drive shaft
4	115 000 105	1	Thermowell
5	040 999 012	1	Cover f. transmission
6	050 438 150	1	Adapter flange
7	C01048	2	Bearing shells with recess
8	924 100 205	1	Ball-bearing
9	920 401 214	1	Sprocket
10	705 025 356	1	Spacer
11	905 925 000	1	Circlip outside
12	908 008 725	1	Adjusting spring
13	908 008 732	1	Adjusting spring
14	908 008 720	1	Adjusting spring
15	937 120 025	1	Sealing ring
16	931 000 031	1	Oil filler plug
17	943 400 038	1	Cap
18	901 006 016	2	Skt.-screw without shank
19	905 106 000	2	Washer
20	900 006 002	2	Stop mother
21	901 008 025	3	Skt.-screw without shank
22	905 108 000	3	Washer
23	905 008 000	3	Spring washer
24	900 008 001	3	Hexagon nut
25	901 010 025	2	Skt.-screw without shank
26	901 110 120	2	Hexagon screw
27	901 110 180	2	Hexagon screw
28	905 110 000	6	Washer
29	905 010 000	6	Spring washer
30	900 010 001	6	Hexagon nut
31	901 012 025	2	Skt.-screw without shank
32	905 112 000	2	Washer
33	905 012 000	2	Spring washer
34	900 012 001	2	Hexagon nut
35	923 ...	1	PTO shaft with protection - depending on tractor
36	902 308 016	1	Grub screw

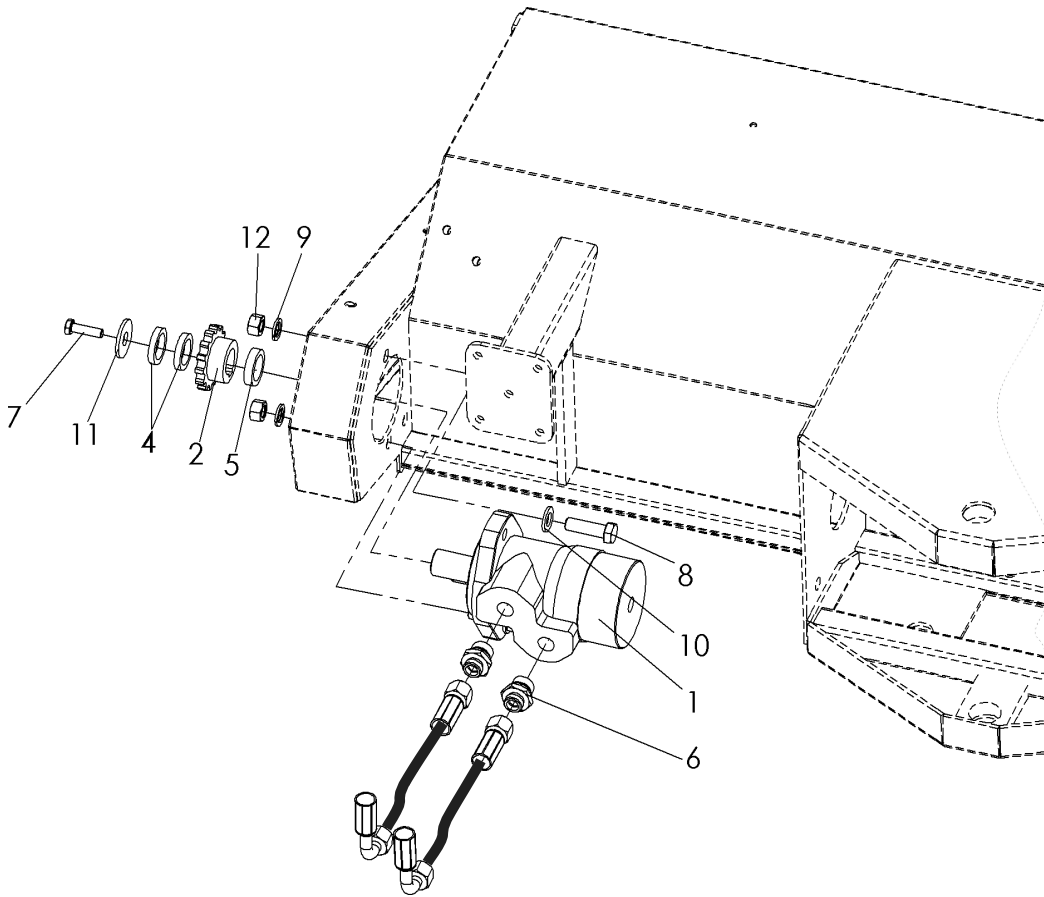
2.2.2 KM 13045 M-ABR 45 - C01050 R00

No.	Art.-No.	Num.	Designation
1	922 101 000	1	Bevel gear
2	050 438 120	1	Transmission holder
3	130 000 100	1	Drive shaft
4	130 000 105	1	Thermowell
5	040 999 012	1	Cover f. transmission
6	050 438 150	1	Adapter flange
7	C01048	2	Bearing shells with recess
8	924 100 205	1	Ball-bearing
9	920 401 214	1	Sprocket
10	705 025 356	1	Spacer
11	905 925 000	1	Circlip outside
12	908 008 725	1	Adjusting spring
13	908 008 732	1	Adjusting spring
14	908 008 720	1	Adjusting spring
15	937 120 025	1	Sealing ring
16	931 000 031	1	Oil filler plug
17	943 400 038	1	Cap
18	901 006 016	2	Skt.-screw without shank
19	905 106 000	2	Washer
20	900 006 002	2	Stop mother
21	901 008 025	3	Skt.-screw without shank
22	905 108 000	3	Washer
23	905 008 000	3	Spring washer
24	900 008 001	3	Hexagon nut
25	901 010 025	2	Skt.-screw without shank
26	901 110 120	2	Hexagon screw
27	901 110 180	2	Hexagon screw
28	905 110 000	6	Washer
29	905 010 000	6	Spring washer
30	900 010 001	6	Hexagon nut
31	901 012 025	2	Skt.-screw without shank
32	905 112 000	2	Washer
33	905 012 000	2	Spring washer
34	900 012 001	2	Hexagon nut
35	923 ...	1	PTO shaft with protection - depending on tractor
36	902 308 016	1	Grub screw

2.2.3 KM 15045 M-ABR 45 - C02148 R00

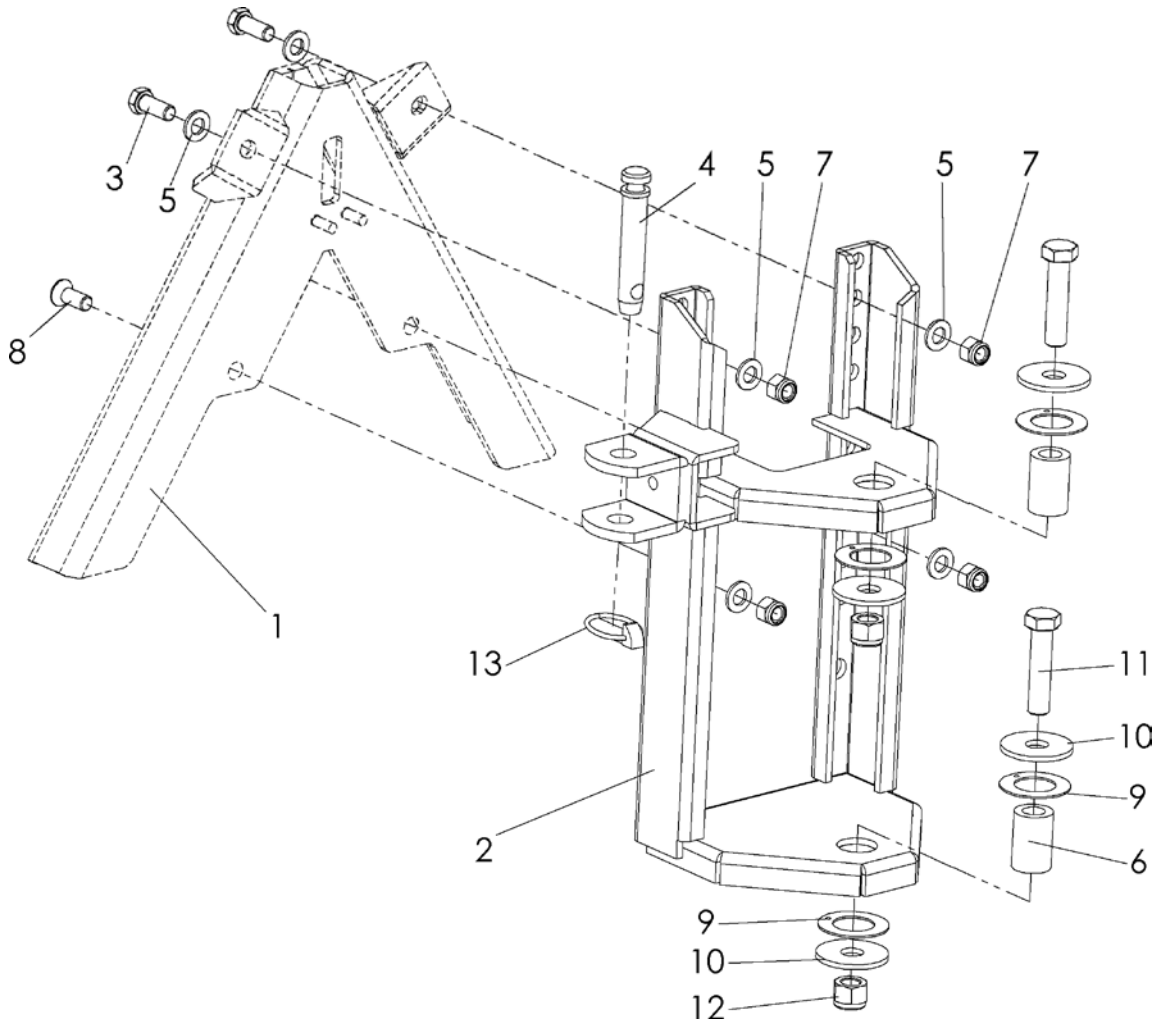
No.	Art.-No.	Num.	Designation
1	922 101 000	1	Bevel gear
2	050 438 120	1	Transmission holder
3	150 000 100	1	Drive shaft
4	150 000 105	1	Thermowell
5	040 999 012	1	Cover f. transmission
6	050 438 150	1	Adapter flange
7	C01048	2	Bearing shells with recess
8	924 100 205	1	Ball-bearing
9	920 401 214	1	Sprocket
10	705 025 356	1	Spacer
11	905 925 000	1	Circlip outside
12	908 008 725	1	Adjusting spring
13	908 008 732	1	Adjusting spring
14	908 008 720	1	Adjusting spring
15	937 120 025	1	Sealing ring
16	931 000 031	1	Oil filler plug
17	943 400 038	1	Cap
18	901 006 016	2	Skt.-screw without shank
19	905 106 000	2	Washer
20	900 006 002	2	Stop mother
21	901 008 025	3	Skt.-screw without shank
22	905 108 000	3	Washer
23	905 008 000	3	Spring washer
24	900 008 001	3	Hexagon nut
25	901 010 025	2	Skt.-screw without shank
26	901 110 120	2	Hexagon screw
27	901 110 180	2	Hexagon screw
28	905 110 000	6	Washer
29	905 010 000	6	Spring washer
30	900 010 001	6	Hexagon nut
31	901 012 025	2	Skt.-screw without shank
32	905 112 000	2	Washer
33	905 012 000	2	Spring washer
34	900 012 001	2	Hexagon nut
35	923 ...	1	PTO shaft with protection - depending on tractor
36	902 308 016	1	Grub screw

2.3 Hydraulic drive train - C02745 R00



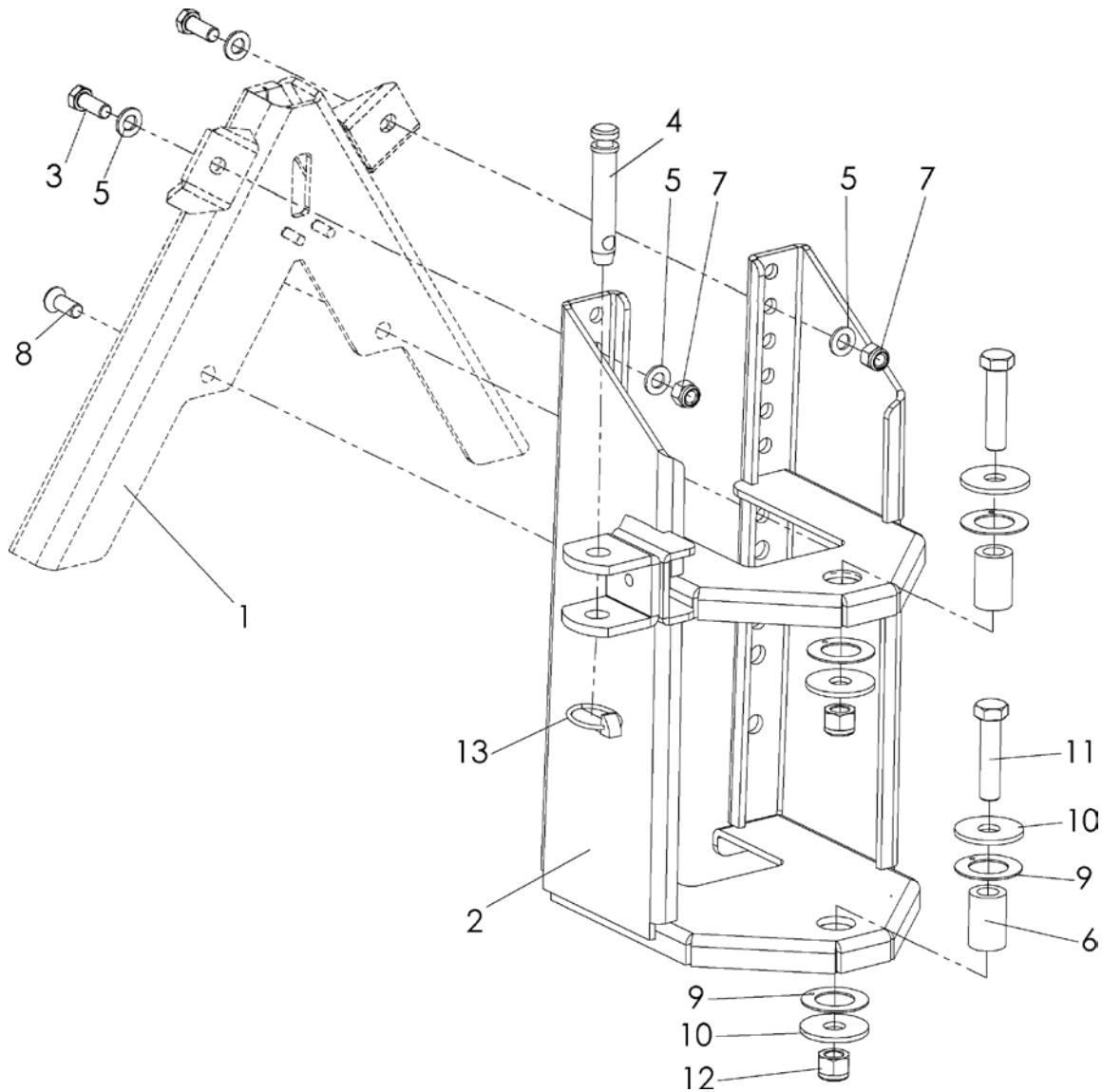
No.	Art.-No.	Num.	Designation
1	935 102 050	1	Hydraulic motor
2	920 401 214	1	Sprocket
3	908 008 720	1	Adjusting spring
4	705 025 356	2	Spacer
5	705 025 358	1	Spacer
6	931 071 212	2	Hydraulikverschraubung
7	901 008 030	1	Skt.-screw without shank
8	901 012 040	2	Skt.-screw without shank
9	905 012 000	2	Spring washer
10	905 112 000	2	Washer
11	905 212 001	1	K-disc
12	900 012 001	2	Hexagon nut
13	930...	1	Hydraulic hose dependent on tractor
14	930...	1	Hydraulic hose dependent on tractor

2.4 Mounting frame for hydraulic drive - C01047 R00



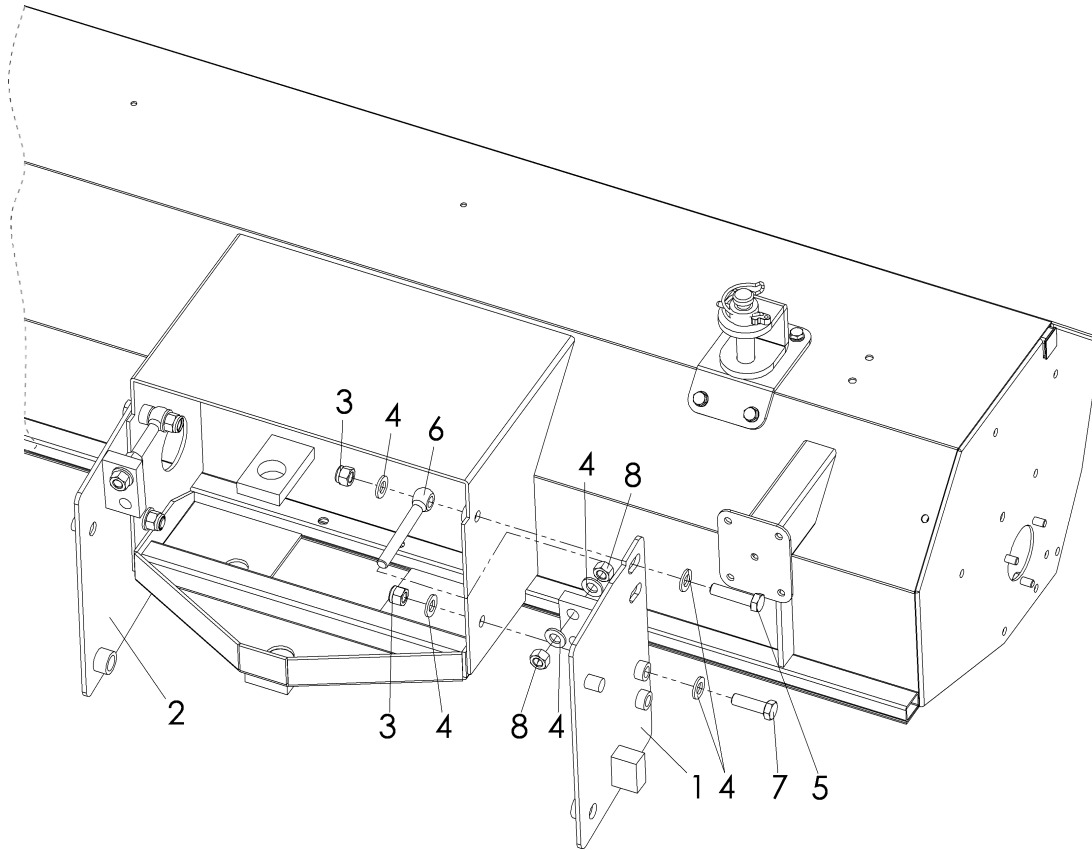
No.	Art.-No.	Num.	Designation
1	-	1	Dome triangle can be screwed on depending on the tractor
2	050 438 400	1	Mounting frame
3	901 012 030	2	Skt. Screw
4	907 400 073	1	Plug bolt
5	905 112 000	6	Washer
6	705 301 744	2	Rifle
7	900 012 002	4	Stop mother
8	901 012 030	2	Countersunk
9	915 001 016	4	Thrust washer
10	905 216 000	4	K-disc
11	901 016 070	2	Hexagon screw
12	900 016 002	2	Stop mother
13	907 111 000	1	Linch pin

2.5 Mounting frame for mechanical drive - C02747 R00



No.	Art.-No.	Num.	Designation
1	-	1	Coupling triangle screw able depending on tractor
2	C01560	1	Standard mounting frame inclined
3	901 012 030	2	Skt.-screw without shank
4	907 400 073	1	Top link pin
5	905 112 000	6	Washer
6	705 301 744	2	Rifle
7	900 012 002	4	Stop mother
8	901 012 030	2	countersunk
9	915 001 016	4	thrust washer
10	905 216 000	4	K-disc
11	901 116 070	2	Skt. Screw with shank
12	900 016 002	2	Stop mother
13	907 111 000	1	linch pin

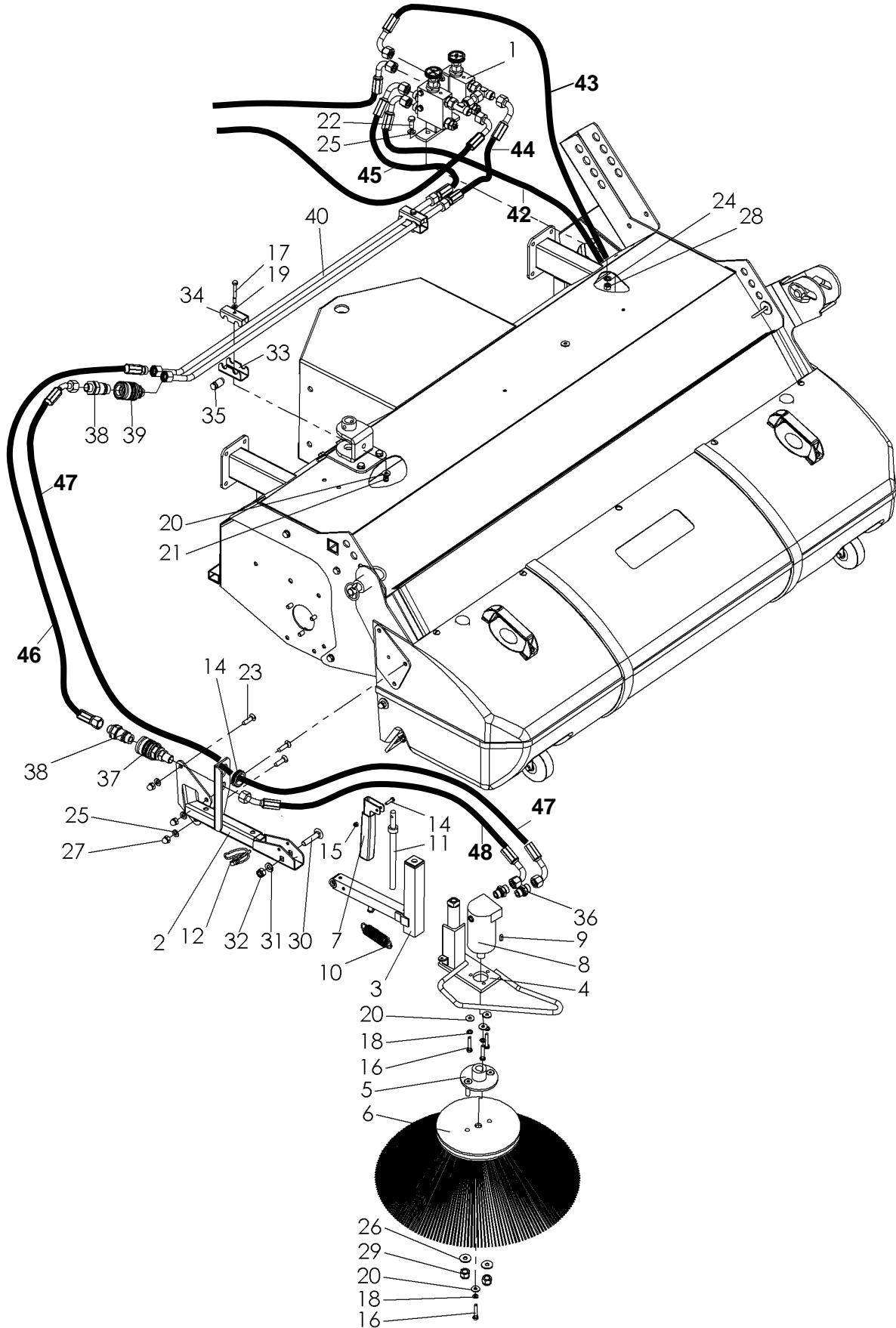
2.6 Quick-Tatch quick assembly system - C01055 R00



No.	Art.-No.	Num.	Designation
1	050 438 112	1	Recording 2 point execution, right
2	050 438 113	1	Recording 2-point version, left
3	900 012 002	4	Stop mother
4	905 112 000	12	Washer
5	901 012 050	2	Hex bolt
6	903 012 100	2	eyebolt
7	901 012 040	2	Hexagon screw
8	900 012 001	4	Hexagon nut

3 Accessories

3.1 Attachment side brush



3.1.1 ASH 4045 KM an KM 11545 H-ABR 45 - C02182 R00

No.	Art.-No.	Num.	Designation
1	C02193	1	Hydraulic control double control valve
2	050 438 320	1	Side broom right
3	105 000 116	1	Klappuhr side broom right
4	135 000 056	1	Side brush holder, right
5	135 002 113	1	broom plate
6	105 000 025	1	Flat whisk
7	700 000 085	1	hand lever
8	935 111 040	1	Hydraulic motor with side connection
9	908 005 516	1	Adjusting spring
10	909 200 155	1	mainspring
11	100 000 490	1	spindle
12	907 155 000	1	Pipe linch pin
13	908 706 666	1	cable grommet
14	901 005 020	1	Skt.-screw without shank
15	900 005 002	1	Stop mother
16	901 006 035	4	Skt. Screw with shank
17	901 006 050	2	Skt.-screw without shank
18	905 006 000	4	spring washer
19	905 106 000	2	Washer
20	905 206 018	6	K-disc
21	900 006 002	2	Stop mother
22	901 008 020	6	Skt.-screw without shank
23	901 208 030	3	countersunk
24	905 008 000	2	spring washer
25	905 108 000	9	Washer
26	905 208 025	2	K-disc
27	900 008 003	3	Hat mother
28	900 008 001	2	Hexagon nut
29	900 008 002	2	Stop mother
30	901 910 045	1	carriage bolt
31	905 110 000	1	Washer
32	900 010 002	1	Stop mother
33	110 371 054	2	Conductor holder 2 fold
34	110 371 053	2	Conductor holder 2 fold
35	C00411	2	Cable attachment Hydraulic holder
36	931 071 238	2	Hydraulic connection
37	932 261 223	1	Bulkhead sleeve 12L
38	932 131 323	2	hydraulic connector
39	932 231 223	1	hydraulic sleeve
40	C02196	2	hydraulic line
	930 135 999		Hydraulic hose set Pos. 42-48
42	930 135 001	1	Hydraulic hose
43	930 135 002	1	Hydraulic hose
44	930 135 003	1	Hydraulic hose
45	930 135 004	1	Hydraulic hose
46	930 135 005	1	Hydraulic hose
47	930 135 006	1	Hydraulic hose
48	930 135 007	1	Hydraulic hose

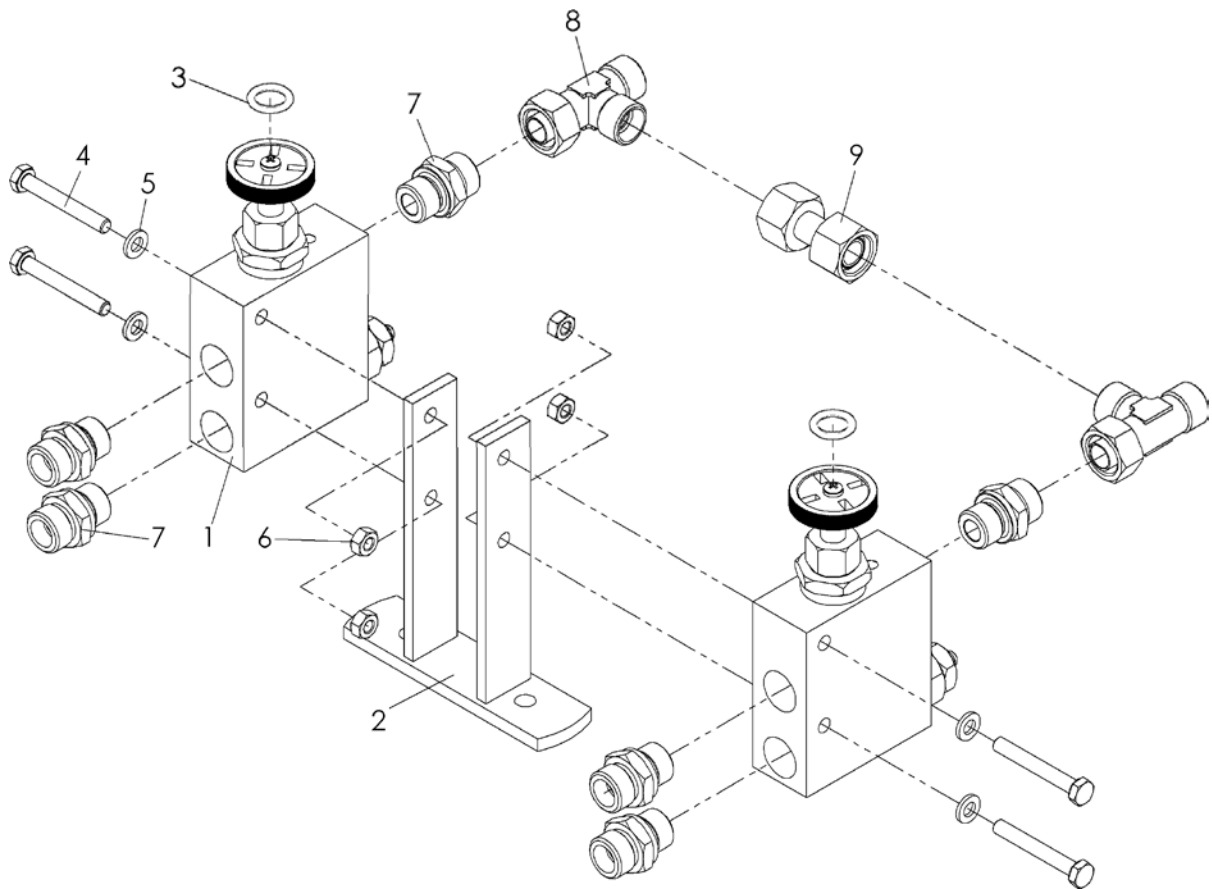
3.1.2 ASH 4045 KM an KM 13045 H-ABR 45 - C02183 R00

No.	Art.-No.	Num.	Designation
1	C02193	1	Hydraulic control double control valve
2	050 438 320	1	Side broom right
3	105 000 116	1	Klapphr side broom right
4	135 000 056	1	Side brush holder, right
5	135 002 113	1	Broom plate
6	105 000 025	1	Flat whisk
7	700 000 085	1	Hand lever
8	935 111 040	1	Hydraulic motor with side connection
9	908 005 516	1	Adjusting spring
10	909 200 155	1	Mainspring
11	100 000 490	1	Spindle
12	907 155 000	1	Pipe linch pin
13	908 706 666	1	Cable grommet
14	901 005 020	1	Skt.-screw without shank
15	900 005 002	1	Stop mother
16	901 006 035	4	Skt. Screw with shank
17	901 006 050	2	Skt.-screw without shank
18	905 006 000	4	Spring washer
19	905 106 000	2	Washer
20	905 206 018	6	K-disc
21	900 006 002	2	Stop mother
22	901 008 020	6	Skt.-screw without shank
23	901 208 030	3	Countersunk
24	905 008 000	2	Spring washer
25	905 108 000	9	Washer
26	905 208 025	2	K-disc
27	900 008 003	3	Hat mutter
28	900 008 001	2	Hexagon nut
29	900 008 002	2	Stop mother
30	901 910 045	1	Carriage bolt
31	905 110 000	1	Washer
32	900 010 002	1	Stop mother
33	110 371 054	2	Conductor holder 2 fold
34	110 371 053	2	Conductor holder 2 fold
35	C00411	2	Cable attachment Hydraulic holder
36	931 071 238	2	Hydraulic connection
37	932 261 223	1	Bulkhead sleeve 12L
38	932 131 323	2	Hydraulic connector
39	932 231 223	1	Hydraulic sleeve
40	C02195	2	Hydraulic line
	930 135 999		Hydraulic hose set Pos. 42-48
42	930 135 001	1	Hydraulic hose
43	930 135 002	1	Hydraulic hose
44	930 135 003	1	Hydraulic hose
45	930 135 004	1	Hydraulic hose
46	930 135 005	1	Hydraulic hose
47	930 135 006	1	Hydraulic hose
48	930 135 007	1	Hydraulic hose

3.1.3 ASH 4045 KM an KM 15045 H-ABR 45 - C02184 R00

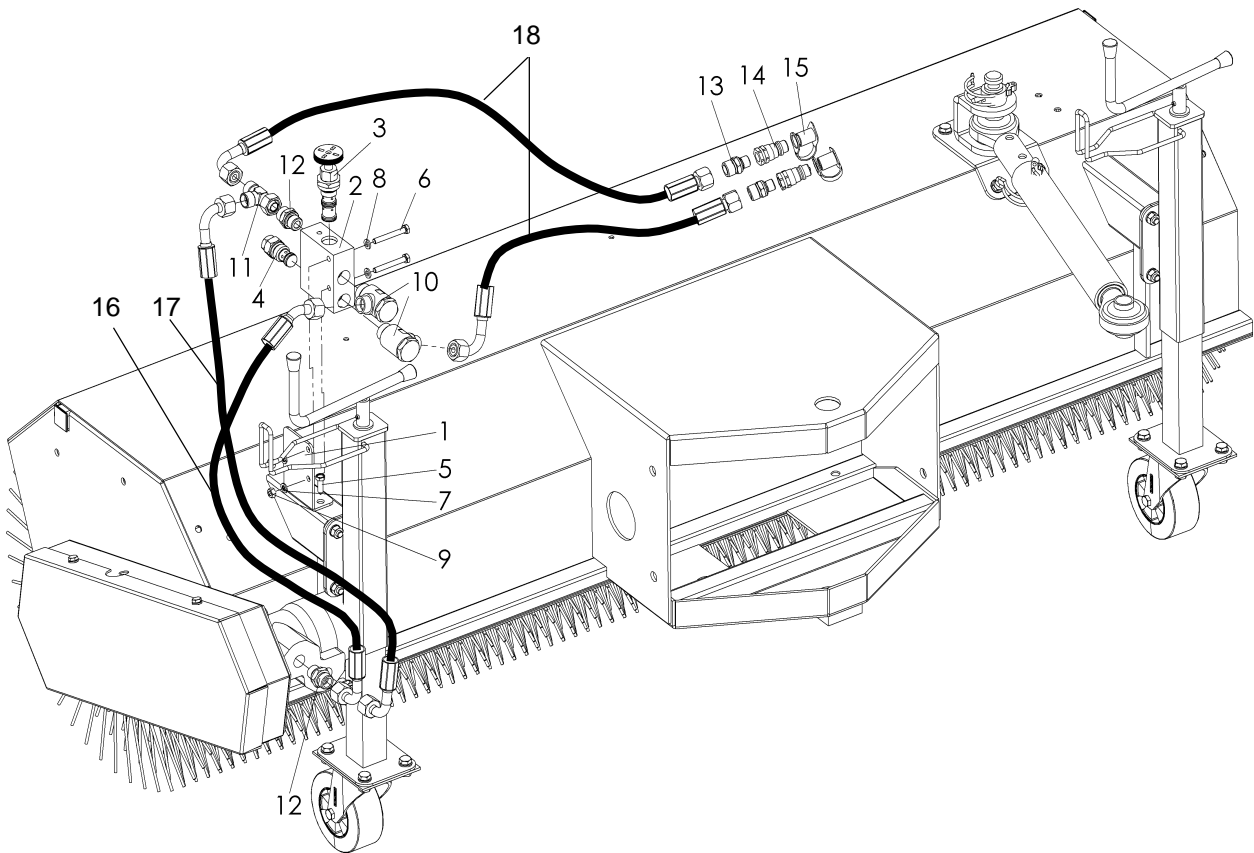
No.	Art.-No.	Num.	Designation
1	C02193	1	Hydraulic control double control valve
2	050 438 320	1	Side broom right
3	105 000 116	1	Klapphr side broom right
4	135 000 056	1	Side brush holder, right
5	135 002 113	1	broom plate
6	105 000 025	1	Flat whisk
7	700 000 085	1	Hand lever
8	935 111 040	1	Hydraulic motor with side connection
9	908 005 516	1	Adjusting spring
10	909 200 155	1	Mainspring
11	100 000 490	1	Spindle
12	907 155 000	1	Pipe linch pin
13	908 706 666	1	Cable grommet
14	901 005 020	1	Skt.-screw without shank
15	900 005 002	1	Stop mother
16	901 006 035	4	Skt. Screw with shank
17	901 006 050	2	Skt.-screw without shank
18	905 006 000	4	Spring washer
19	905 106 000	2	Washer
20	905 206 018	6	K-disc
21	900 006 002	2	Stop mother
22	901 008 020	6	Skt.-screw without shank
23	901 208 030	3	Countersunk
24	905 008 000	2	Spring washer
25	905 108 000	9	Washer
26	905 208 025	2	K-disc
27	900 008 003	3	Hat mutter
28	900 008 001	2	Hexagon nut
29	900 008 002	2	Stop mother
30	901 910 045	1	Carriage bolt
31	905 110 000	1	Washer
32	900 010 002	1	Stop mother
33	110 371 054	2	Conductor holder 2 fold
34	110 371 053	2	Conductor holder 2 fold
35	C00411	2	Cable attachment Hydraulic holder
36	931 071 238	2	Hydraulic connection
37	932 261 223	1	Bulkhead sleeve 12L
38	932 131 323	2	Hydraulic connector
39	932 231 223	1	Hydraulic sleeve
40	C02197	2	Hydraulic line
	930 135 999		Hydraulic hose set Pos. 42-48
42	930 135 001	1	Hydraulic hose
43	930 135 002	1	Hydraulic hose
44	930 135 003	1	Hydraulic hose
45	930 135 004	1	Hydraulic hose
46	930 135 005	1	Hydraulic hose
47	930 135 006	1	Hydraulic hose
48	930 135 007	1	Hydraulic hose

3.2 Double control valve for side brush and KM drive - C02193 R00



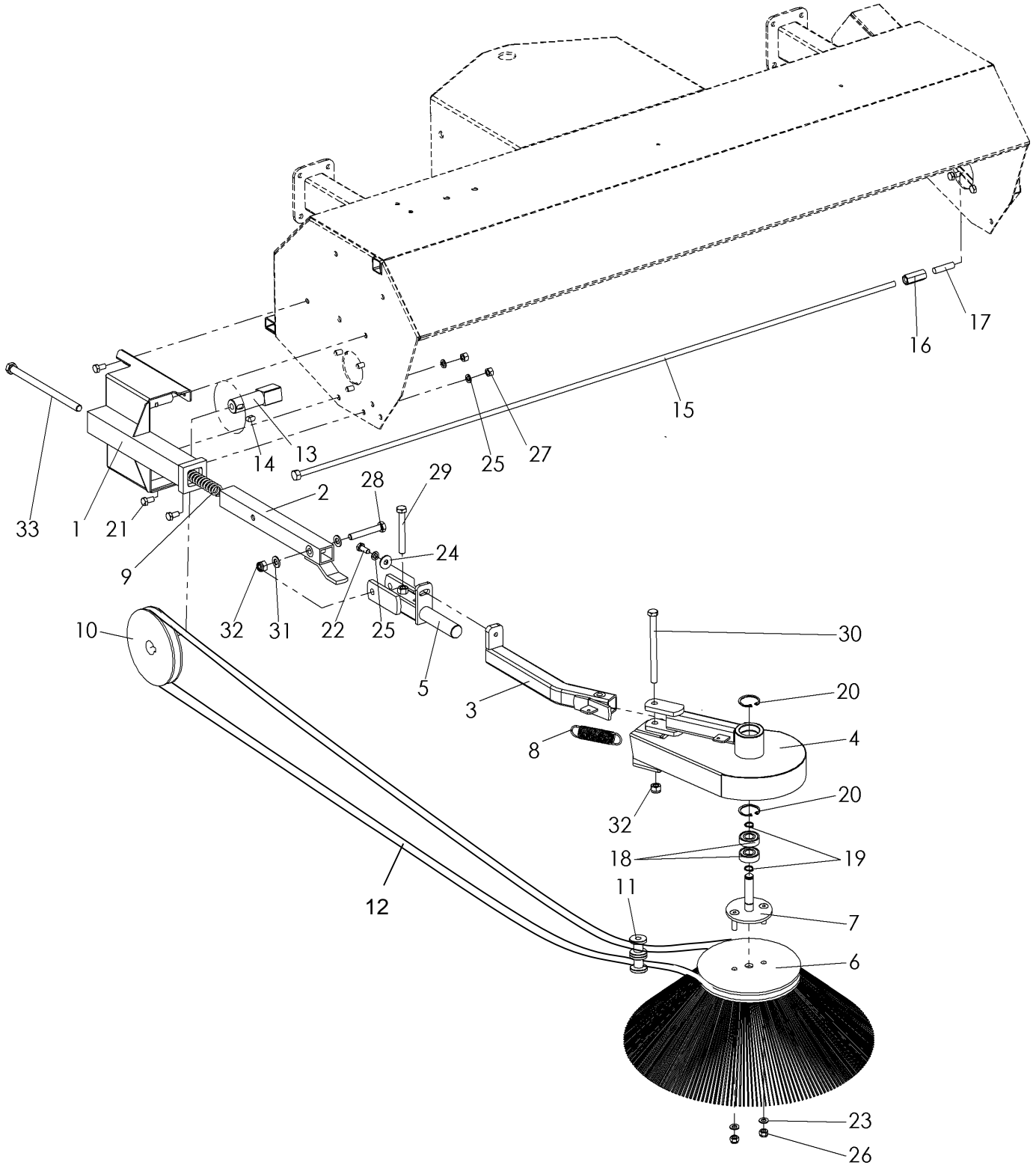
No.	Art.-No.	Num.	Designation
1	936 201 000	2	Control valve
2	156 000 020	1	Holder for two control valves
3	937 300 075	2	Seal kit for control cartridge
4	901 006 045	4	Skt.-screw without shank
5	905 106 000	4	Washer
6	900 006 001	4	Hexagon nut
7	931 071 238	6	Hydraulic connection
8	931 041 200	2	Hydraulic connection
9	050 372 085	1	Hydraulic line

3.3 Hydraulic hose set, control valve - C01057 R01



No.	Art.-No.	Num.	Designation
1	050 438 330	1	Control valve holder
2	936 201 000	1	Control valve
3	936 202 075	1	Control cartridge
4	936 500 534	1	Pressure relief valve
5		2	Tapping screw
6	901 006 045	2	Skt.-screw without shank
7	905 006 000	2	Spring washer
8	905 106 000	2	Washer
9	900 006 001	2	Hexagon nut
10	931 171 038	2	Hydraulic connection
11	931 041 200	1	Hydraulic connection
12	931 071 238	3	Hydraulic connection
13	931 ...	2	Hydraulic fitting depending on tractor
14	932 ...	2	Hydraulic plug dependent on tractor
15	932 ...	2	Dust cap tractor-dependent
16	930 000 010	1	Hydraulic hose
17	930 ...	1	Hydraulic hose dependent on tractor
18	930 ...	2	Hydraulic hose dependent on tractor

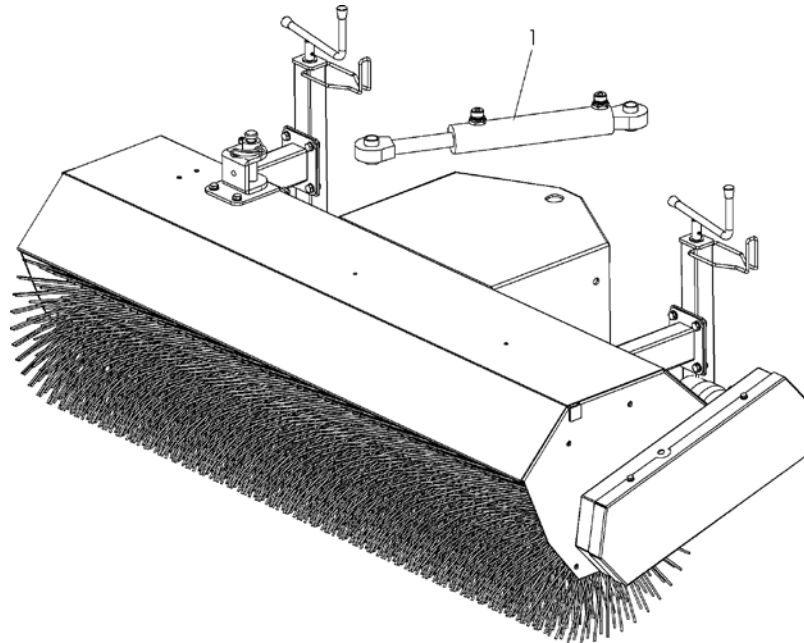
3.4 Sede brush ASM 4045 KM - C00435 R01



Side brush ASM 4045 KM - C00435 R01

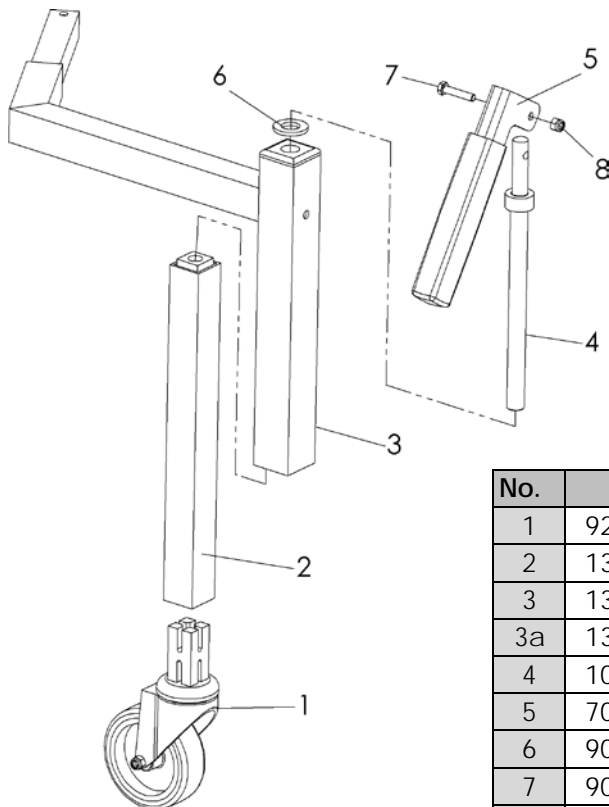
No.	Art.-No.	Num.	Designation
1	050 438 310	1	Holder side brush arm
2	C02274	1	Broom holder part 1
3	C02277	1	Broom holder part 2
4	105 000 114	1	Broom holder part 3
5	C02278	1	Broom holder part 4
6	105 450 025	1	side brush
7	105 000 020	1	Plate axis side brush
8	909 200 155	1	mainspring
9	C02714	1	compression spring
10	C02272	1	pulley
11	105 000 065	2	Plastic roller
12	921 132 061	1	fan belt
13	105 000 085	1	Drive stub right
14	908 108 715	1	Adjusting spring
15	041 000 436	1	Tension rod with nut
16	902 810 040	1	Threaded sleeve M10
17	902 910 040	1	Set screw
18	924 306 202	2	ball-bearing
19	905 915 000	2	Circlip, outside
20	906 000 350	2	Circlip inside
21	901 008 016	4	Skt.-screw without shank
22	901 008 020	1	Skt.-screw without shank
23	905 108 000	2	Washer
24	905 208 025	1	K-disc
25	905 008 000	5	spring washer
26	900 008 002	2	Stop mother
27	900 008 001	4	Hexagon nut
28	901 010 065	1	Skt.-screw without shank
29	901 010 080	1	Hexagon screw
30	901 110 130	1	Skt. Screw with shank
31	905 110 000	2	Washer
32	900 010 002	2	Stop mother
33	901 012 180	1	Skt.-screw without shank

3.5 Hydraulic swivel device - C00431 R00



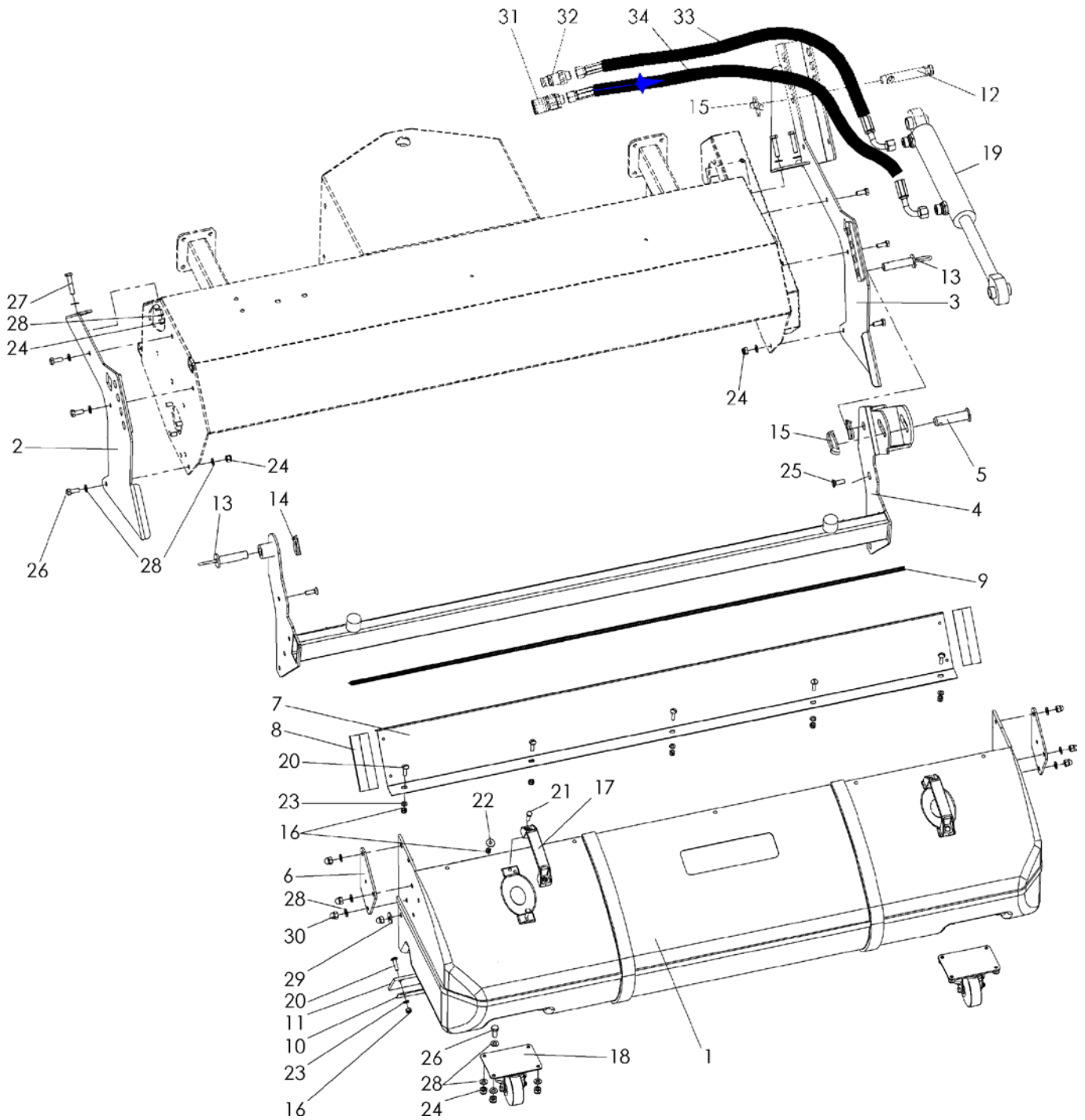
No.	Art.-No.	Num.	Designation
1	933 101 180	1	Hydraulic cylinders

3.6 Parking support AST 45 LR - C00432 R00



No.	Art.-No.	Num.	Designation
1	926 301 075	2	Support wheel with expander
2	135 000 443	2	Support inner tube
3	135 000 445	1	Parking support right
3a	135 000 446	1	Parking support left
4	100 000 490	2	Spindle
5	700 000 085	2	Hand lever
6	905 112 000	2	Washer
7	901 005 020	2	Skt.-screw without shank
8	900 005 002	2	Stop mother

3.7 Dirt collection



3.7.1 Dirt collection SSB 11545 K - C00452 R04

No.	Art.-No.	Num.	Designation
1	C02587	1	Dirt collection
2	C02523	1	Attachment console right
3	C02522	1	Attachment console left
4	C02532	1	Growing support
5	700 073 019	1	Bolt
6	050 438 450	2	Reinforcing plate
7	C02552	1	Z-profile
8	C02577	2	Broom bar
9	C00444	1	Rubber strip
10	C00456	1	Counter strip
11	C00455	1	Rubber splash flap
12	907 400 073	1	Top link pin
13	C00171	2	Bolt with ring
14	907 106 000	2	Linch pin
15	907 111 000	2	Linch pin
16	900 006 002	16	Stop mother
17	941 310 005	2	handle
18	926 301 076	2	Wheel
19	933 101 180	1	hydraulic cylinders
20	903 606 025	12	Flat head screw with slot
21	901 006 025	4	Skt.-screw without shank
22	905 206 025	4	K-disc
23	905 106 000	12	Washer
24	900 008 002	17	Stop mother
25	901 208 025	8	countersunk
26	901 008 020	14	Skt.-screw without shank
27	901 008 040	3	Skt.-screw without shank
28	905 108 000	40	Washer
29	905 208 025	2	K-disc
30	900 008 023	8	Hat mother, high
31	932 ...	1	Plug / socket depending on tractor
32	932 ...	1	Plug / socket depending on tractor
33	930 ...	1	Hydraulic hose dependent on tractor
34	930 ...	1	Hydraulic hose dependent on tractor
	930 449 ...	2	Hydraulic hose dependent on tractor

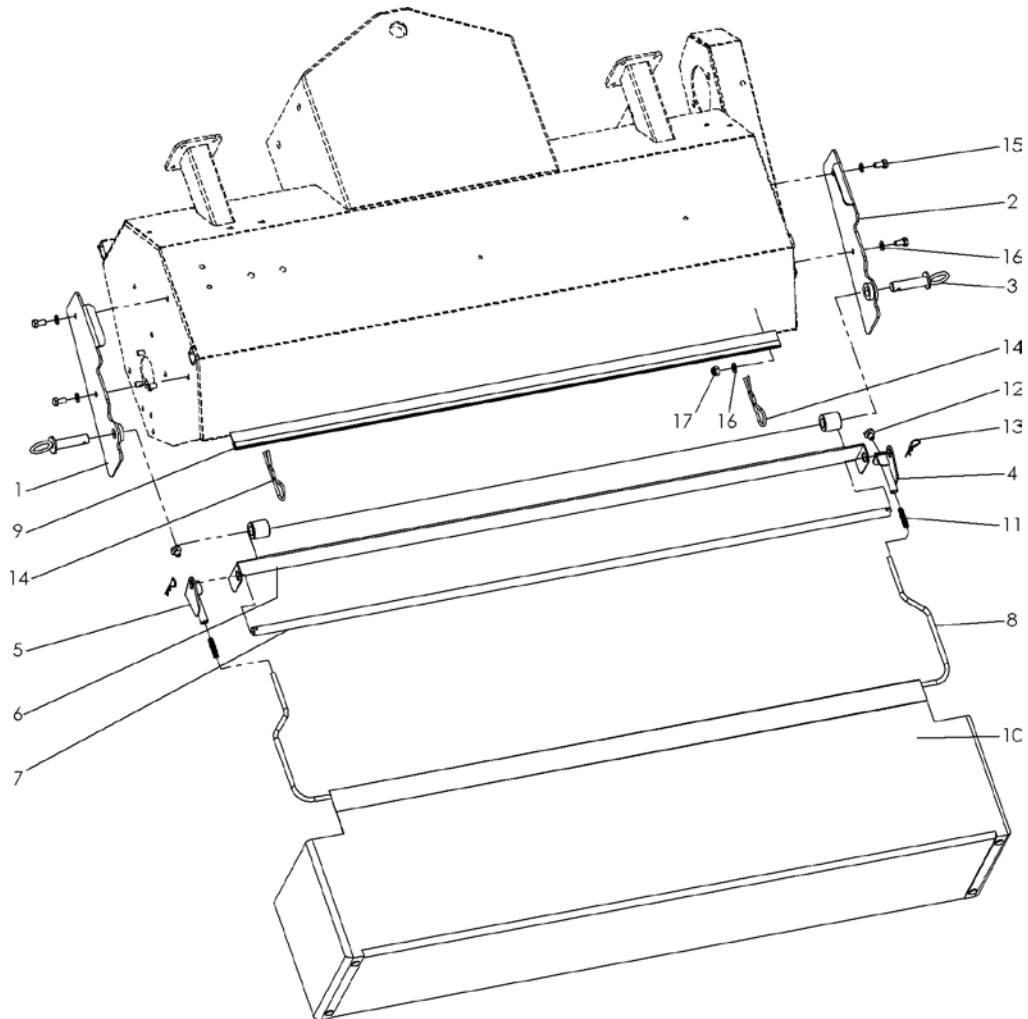
3.7.2 Dirt collection SSB 13045 K - C00433 R04

No.	Art.-No.	Num.	Designation
1	C02505	1	Dirt collection
2	C02523	1	Attachment console right
3	C02522	1	Attachment console left
4	C01960	1	Growing support
5	700 073 019	1	Bolt
6	050 438 450	2	Reinforcing plate
7	C01945	1	Z-profile
8	C02577	2	Broom bar
9	C02594	1	Rubber strip
10	050 438 114	1	Counterstrip
11	135 000 650	1	Rubber splash flap
12	907 400 073	1	Top link pin
13	C00171	2	Bolt with ring
14	907 106 000	2	Linch pin
15	907 111 000	2	Linch pin
16	900 006 002	16	Stop mother
17	941 310 005	2	handle
18	926 301 076	2	Wheel
19	933 101 180	1	hydraulic cylinders
20	903 606 025	12	Flat head screw with slot
21	901 006 025	4	Skt.-screw without shank
22	905 206 025	4	K-disc
23	905 106 000	12	Washer
24	900 008 002	17	Stop mother
25	901 208 025	8	countersunk
26	901 008 020	14	Skt.-screw without shank
27	901 008 040	3	Skt.-screw without shank
28	905 108 000	40	Washer
29	905 208 025	2	K-disc
30	900 008 023	8	Hat mother, high
31	932 ...	1	Plug / socket depending on tractor
32	932 ...	1	Plug / socket depending on tractor
33	930 ...	1	Hydraulic hose dependent on tractor
34	930 ...	1	Hydraulic hose dependent on tractor
	930 449 ...	2	Hydraulic hose dependent on tractor

3.7.3 Dirt collection SSB 15045 K - C01061 R03

No.	Art.-No.	Num.	Designation
1	150 102 625	1	Dirt collection
2	C02523	1	Attachment console right
3	C02522	1	Attachment console left
4	C04779	1	Growing support
5	700 073 019	1	Bolt
6	050 438 450	2	Reinforcing plate
7	C04865	1	Z-profile
8	C02577	2	Broom bar
9	C01063	1	Rubber strip
10	C04867	1	Counter trip
11	712 150 091	1	Rubber splash flap
12	907 400 073	1	Top link pin
13	C00171	2	Bolt with ring
14	907 106 000	2	Linch pin
15	907 111 000	2	Linch pin
16	900 006 002	16	Stop mother
17	941 310 005	2	handle
18	926 301 076	2	Wheel
19	933 101 180	1	hydraulic cylinders
20	903 606 025	12	Flat head screw with slot
21	901 006 025	4	Skt.-screw without shank
22	905 206 025	4	K-disc
23	905 106 000	12	Washer
24	900 008 002	17	Stop mother
25	901 208 025	8	countersunk
26	901 008 020	14	Skt.-screw without shank
27	901 008 040	3	Skt.-screw without shank
28	905 108 000	40	Washer
29	905 208 025	2	K-disc
30	900 008 023	8	Hat mother, high
31	932 ...	1	Plug / socket depending on tractor
32	932 ...	1	Plug / socket depending on tractor
33	930 ...	1	Hydraulic hose dependent on tractor
34	930 ...	1	Hydraulic hose dependent on tractor
	930 449 ...	2	Hydraulic hose dependent on tractor

3.8 Rubber splash flap



3.8.1 GUSPL 11545 - C00451 R02

No.	Art.-No.	Num.	Designation
1	C02821	1	Attachment plate right
2	C02820	1	Attachment plate left
3	C00171	2	Bolt with ring
4	712 000 131	1	Connecting plate, left
5	712 000 130	1	Connecting plate, right
6	C02817	1	Retaining rail
7	C00446	1	Upright
8	C00448	1	Carrying handle
9	C00444	1	Rubber strip
10	C00449	1	Mud flap with push button
11	909 100 207	2	Compression spring
12	934 700 910	2	Plug-in buffer
13	907 002 003	2	Cotter pin
14	907 004 001	2	Cotter pin
15	901 008 016	4	Skt.-screw without shank
16	905 108 000	8	Washer
17	900 008 002	4	Stop mother

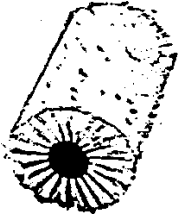



3.8.2 GUSPL 13045 - C00434 R02

No.	Art.-No.	Num.	Designation
1	C02821	1	Attachment plate right
2	C02820	1	Attachment plate left
3	C00171	2	Bolt with ring
4	712 000 131	1	Connecting plate, left
5	712 000 130	1	Connecting plate, right
6	C02818	1	Retaining rail
7	712 130 216	1	Upright
8	712 130 095	1	Carrying handle
9	712 135 111	1	Rubber strip
10	135 000 094	1	Mud flap with push button
11	909 100 207	2	Compression spring
12	934 700 910	2	Plug-in buffer
13	907 002 003	2	Cotter pin
14	907 004 001	2	Cotter pin
15	901 008 016	4	Skt.-screw without shank
16	905 108 000	8	Washer
17	900 008 002	4	Stop mother

3.8.1 GUSPL 15045 - C01060 R02

No.	Art.-No.	Num.	Designation
1	C02821	1	Attachment plate right
2	C02820	1	Attachment plate left
3	C00171	2	Bolt with ring
4	712 000 131	1	Connecting plate, left
5	712 000 130	1	Connecting plate, right
6	C02819	1	retaining rail
7	712 150 216	1	Upright
8	712 150 095	1	carrying handle
9	712 155 111	1	rubber strip
10	712 167 094	1	Mud flap with push button
11	909 100 207	2	compression spring
12	934 700 910	2	A plug-in buffer
13	907 002 003	2	cotter pin
14	907 004 001	2	cotter pin
15	901 008 016	4	Skt.-screw without shank
16	905 108 000	8	Washer
17	900 008 002	4	Stop mother

3.9 Sweeping rollers: diameter 45 cm

	FKM 1155 115 cm working width	FKM 1305 130 cm working width	FKM 1505 150 cm working width
Dirt roller with Poly-full-trim 	115 516 045	130 516 045	150 516 045
Dirt broom Poly-corrugated-wire trimming 	115 516 545	130 516 545	150 516 545
Combination broom With 5-row Poly-twist trim 	115 510 045	130 510 045	150 510 045
Snow sweeper 4-row- Poly-twist- trim 	115 508 045	130 508 045	150 508 045

Kersten

SITE MAINTENANCE EQUIPMENT

Distributed in UK by
Kersten (UK) Ltd Tel. 0118 986 9253

Progress House
39 Boulton Road Reading, RG2 0NH
www.kerstenuk.com - info@kerstenuk.com